

# SVELTE SIDE PANEL

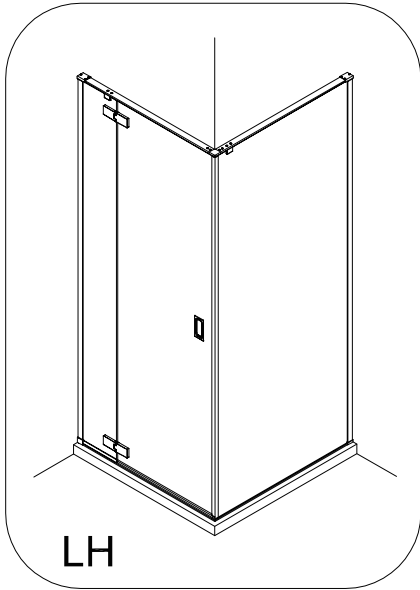
SSPSC0700    SPBRACE    HDSPSEAL  
SSPSC0800    WSBRACE    SLSPSEAL  
SSPSC0900  
SSPSC1000  
SSPSC1200

## IMPORTANT

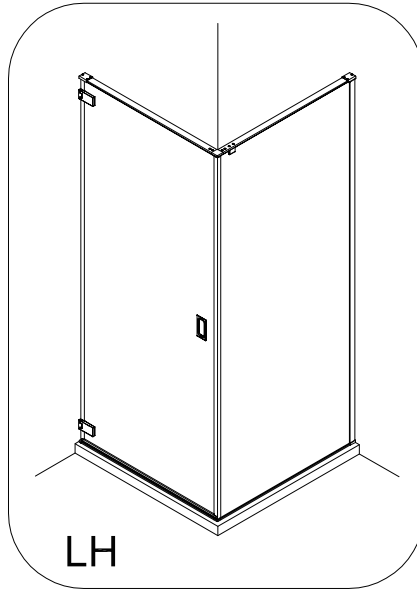
BEFORE STARTING THE INSTALLATION ENSURE ALL THE DOOR SIZE MEASUREMENTS CORRESPOND WITH THE INSTALLATION AREA INCLUDING THE FINISHED TILED/PANELLED WALLS.

RETURNS DUE TO INCORRECT SIZING WILL NOT BE ACCEPTED.

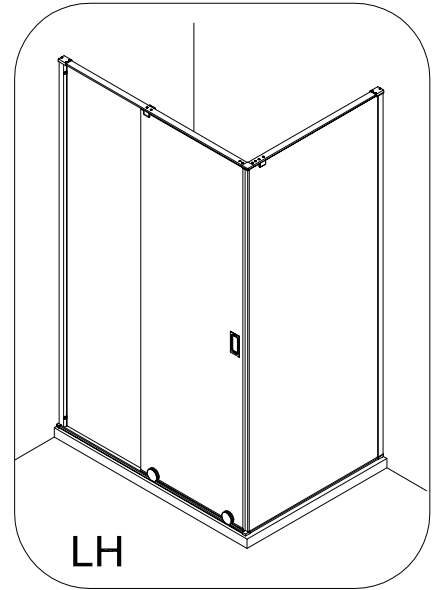
SET A



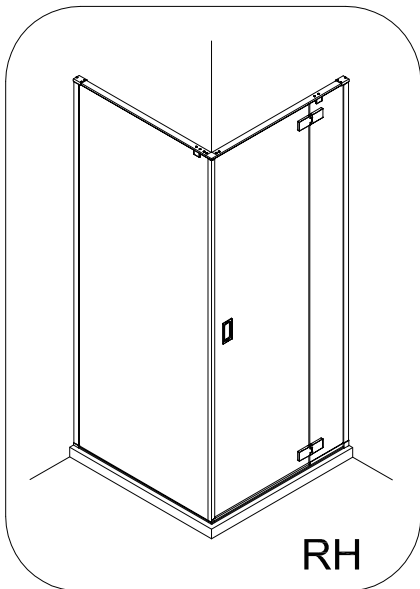
SET B



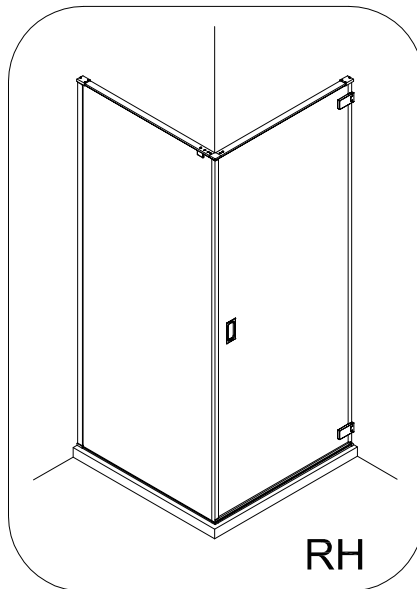
SET C



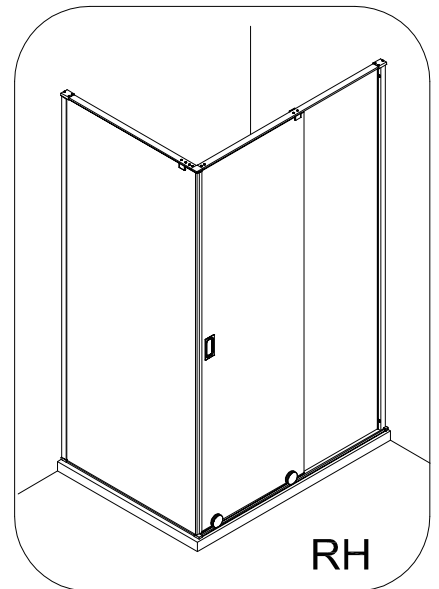
SET A



SET B



SET C



## INSTALLATION INSTRUCTIONS

**crosswater**<sup>®</sup>  
SHOWERING

## IMPORTANT - Please read before installation

**Please read these instructions carefully before starting installation and keep in a safe place for future reference.**

Check the contents of the pack carefully before installation. Crosswater will not be held responsible for any de-fit / re-fit costs where faulty product has been fitted.

If any fault is found with materials or workmanship, it must be reported immediately to the manufacturer. Remedial action will be taken, based on information received, on condition that:

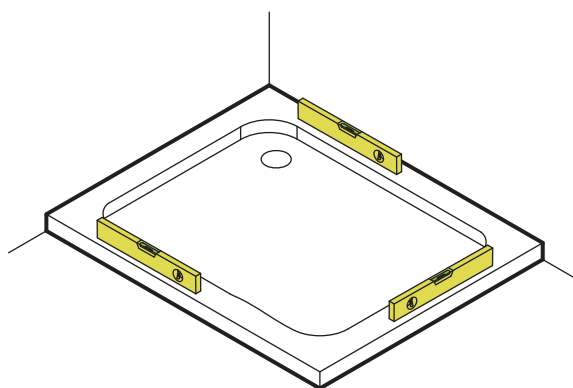
1. Full details are supplied to the manufacturer;
2. The enclosure has not been modified or tampered with;
3. The manufacturer is informed of any damage/shortages prior to installation.

We do not accept responsibility for any problems that may occur through incorrect installation.

The success of the installation and operation of any shower enclosure is, of course, dependant on the squareness, alignment and construction of the walls to which fixing is to be carried out.

### VERY IMPORTANT

You must complete all tiling and grouting, and the shower tray **MUST** be level and fully sealed to the tiles before installation. If you do not fit the enclosure onto a tiled surface, or seal the tiles to the tray before installation, water may soak into the wall behind the wall profiles.



## INSTALLATION - Advice and safety

The installation instructions are based on typical use and conditions.

These products come with the two wall channels pushed onto each side of the glass panel frame.

These hints have been prepared for your guidance, you must exercise due care at all times.

For Health and Safety 2 people must carry out the installation of this enclosure.

Handle glass with care. Although the glass supplied is toughened safety glass (EN12150), impacts can damage both the glass and the frame.

### Warning!

Please check for any hidden pipes or cables before drilling holes in the wall.

To stop the drill bit slipping, masking tape can be applied to the tiles when preparing the holes.

When using power tools always follow the manufacturers user instructions.

Do not sit the enclosure on a bed of silicone, as this will also stop any water from draining back into the tray.

If the enclosure is sealed to the tray on the inside, any water that may get into the framework will not be able to drain back into the tray, this may cause the enclosure to leak.

Leave the silicone sealant to dry for 24 hours before using the enclosure.

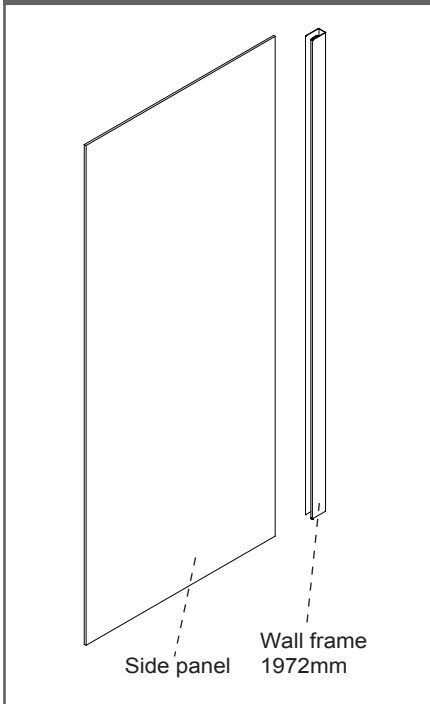
## CARE AND CLEANING


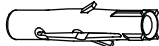
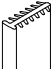
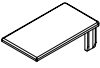
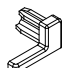

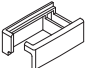
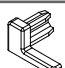
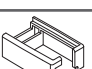
Do not use solvents or abrasive material or chemicals to clean the enclosure.

Only clean using soapy water and a soft cloth, rinse thoroughly afterwards.


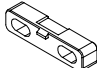

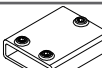
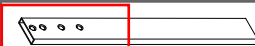
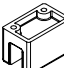




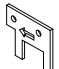


# CONTENTS

## SVELTE SIDE PANEL


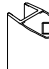
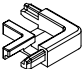


- A1  ST4X40mm Screw x 3
- A2  Wall Plug x 3
- A3  1970mm Wall frame sealing strip x 1
- A4  Top Cap x 1
- A5  End part(LH) x 1
- A6  Waterproof barrier bar x 1
- A7  Bottom seat(LH) x 1
- A8  End part(RH) x 1
- A9  Bottom seat(RH) x 1

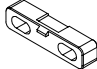
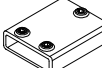
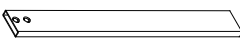
## SVELTE SIDE PANEL BRACING BAR

- A2  Wall Plug x 2
- B1  Bracket x 1
- B2  ST4X40mm Screw x 2
- B3  Cap x 1
- B4  Support bar x 1
- B5  Glass clamp assembly x 1
- B6  Cover x 2
- B7  M4X12mm Screw x 2
- B8  M4X6mm Screw x 4
- B9  Connector x 1
- B10  Positioning template x 1
- B11  4mm Allen key x 1
- B12  2.5mm Allen key x 1

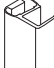
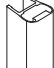

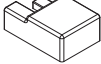
## HINGED DOOR SIDE PANEL SEAL

- C1  1977mm Magnetic strip x 1
- C2  1962mm Magnetic strip x 1
- C3  Connecting part x 1

## BRACING BAR WALL MOUNTED DOOR AND SIDE

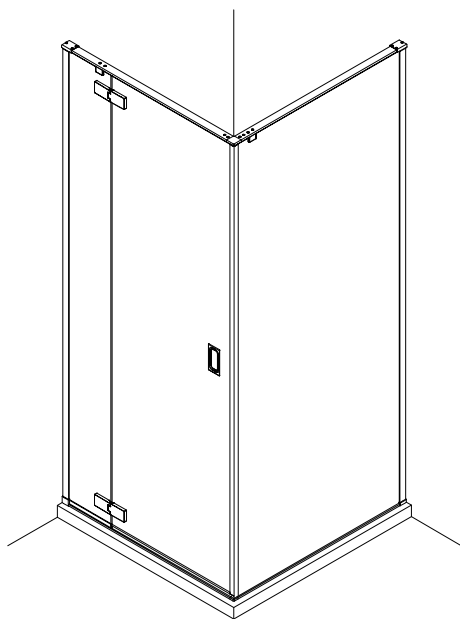
- B1  Bracket x 1
- B3  Cap x 1
- D1  Support bar x 1

## SLIDER/SIDE PANEL SEAL

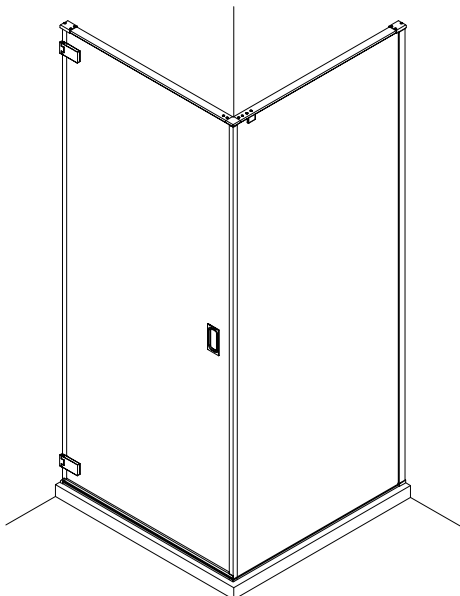
- E1  Magnetic strip x 1
- E2  Magnetic strip x 1
- E3  Bottom holder(LH) x 1
- E4  Bottom holder(RH) x 1

## Tools and equipment needed

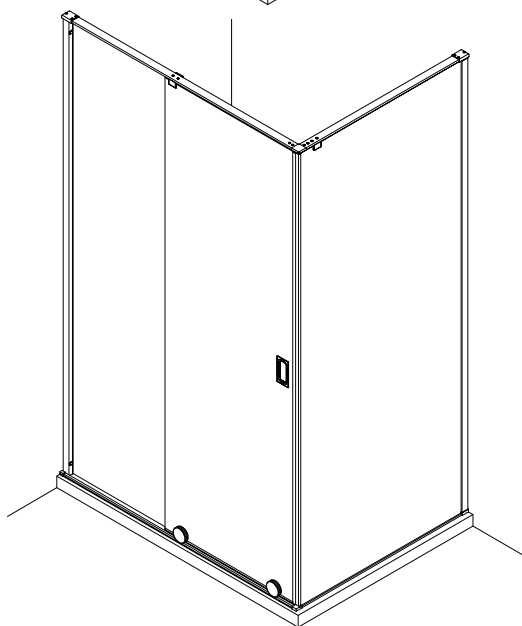
Drill, 6mm Masonry drill bit, Cross Philips screwdriver, Slotted Philips screwdriver, Spirit level, Pencil, Tape measure, Knife, Silicone sealant, Wood, Rubber Mallet, Fine Tooth Saw.



SET A (SHDSC0800/0900/1000/1200 +  
SSPSC0700/0800/0900/1000/1200 +  
SPBRACE + HDSPSEAL)  
See pages 4~7

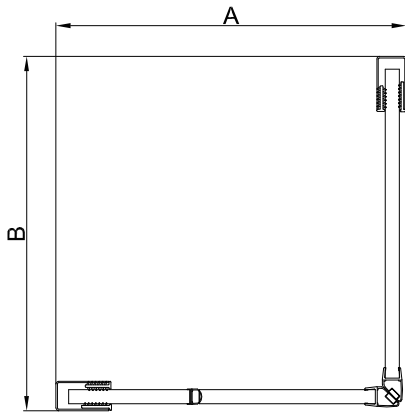


SET B (SWHSC0800/0900 + WSBRACE +  
SSPSC0700/0800/0900/1000/1200 +  
SPBRACE + HDSPSEAL)  
See pages 8~11



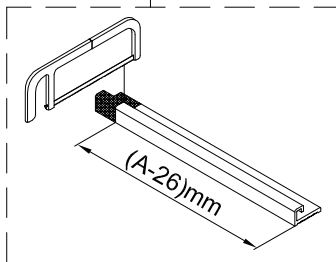
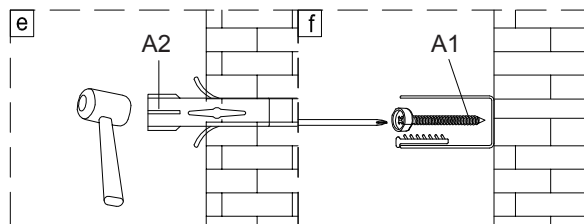
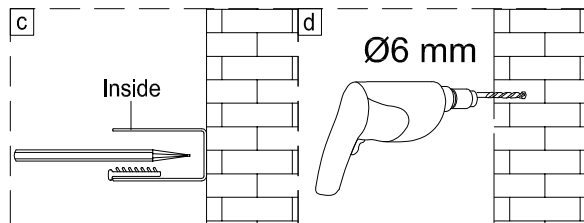
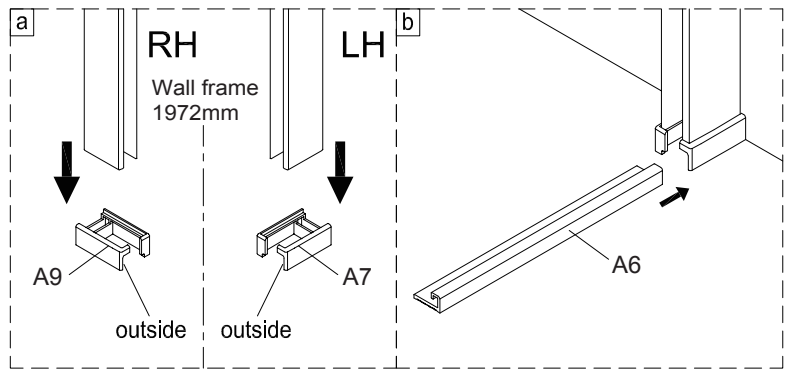
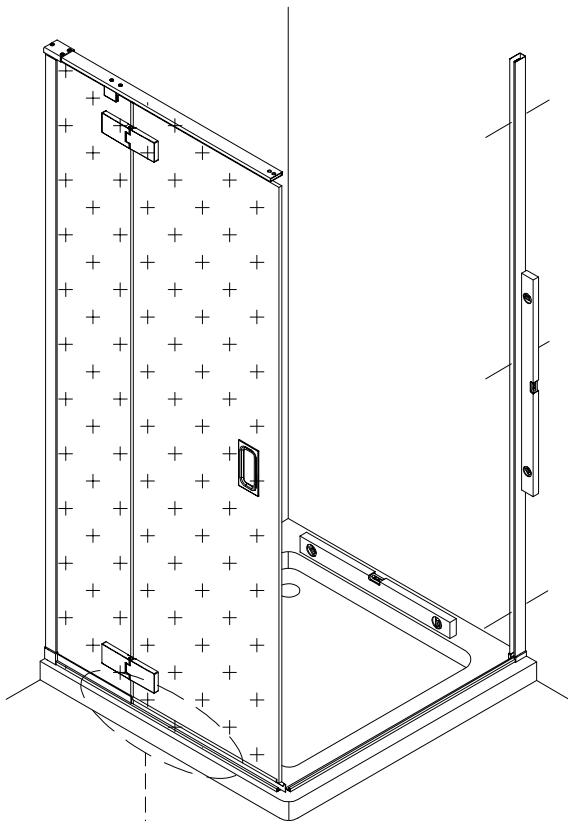
SET C (SSLSC1200/1400/1700 +  
SSPSC0700/0800/0900/1000/1200 +  
SPBRACE + SLSPSEAL)  
See pages 12~15

Step 1

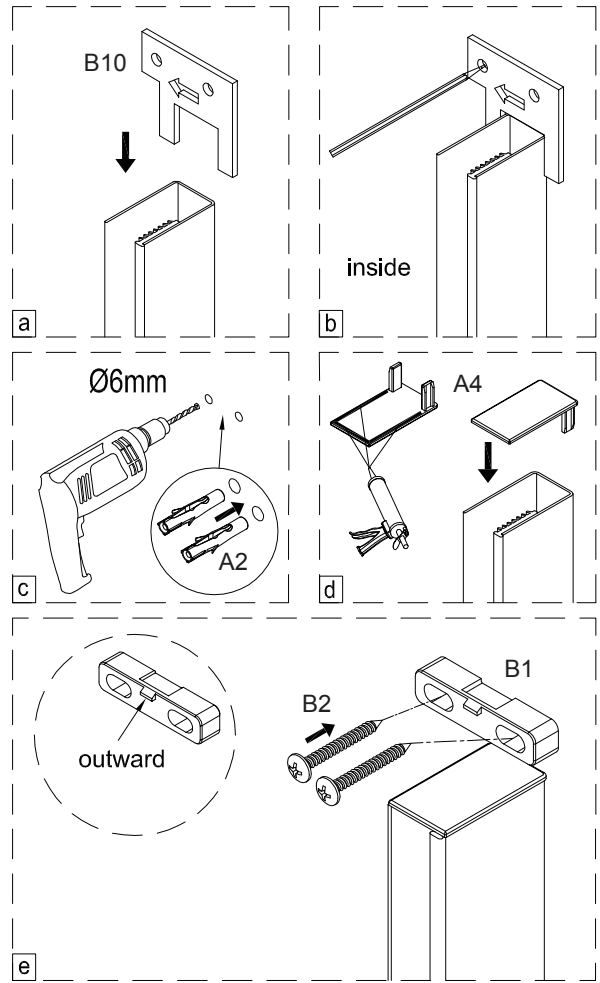
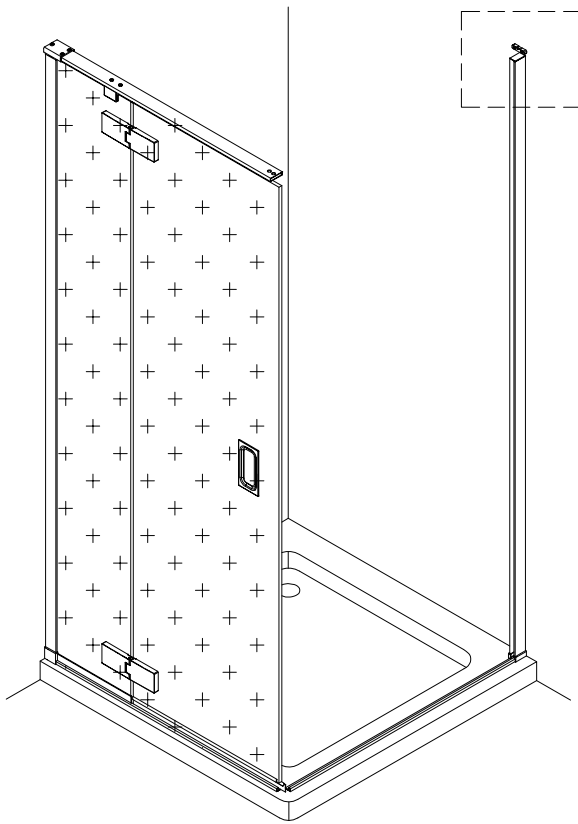


Model	A(mm)
SHDSC0800	767~782
SHDSC0900	867~882
SHDSC1000	967~982
SHDSC1200	1167~1182

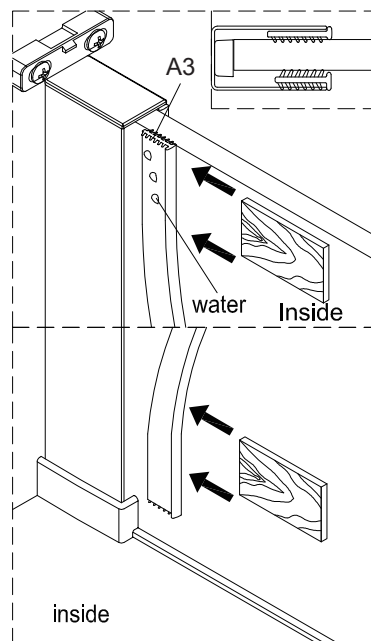
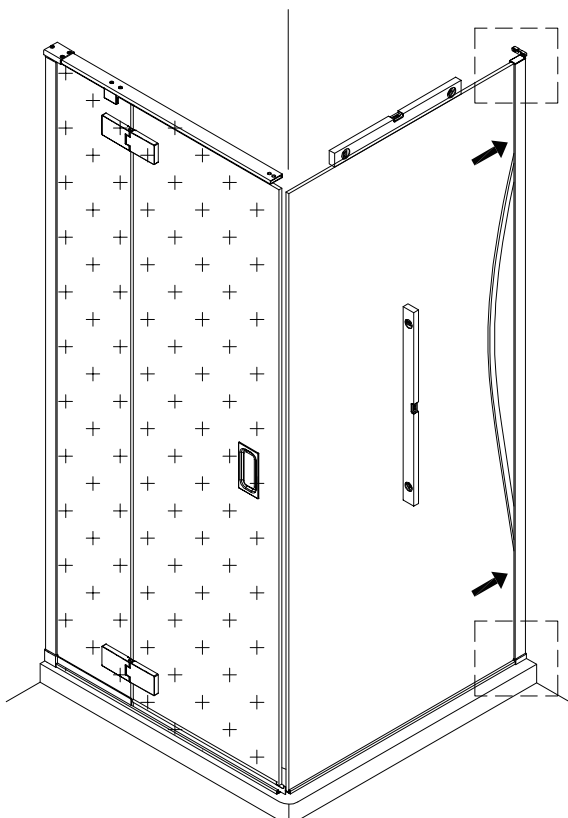
Model	B(mm)
SSPSC0700	667~682
SSPSC0800	767~782
SSPSC0900	867~882
SSPSC1000	967~982
SSPSC1200	1167~1182



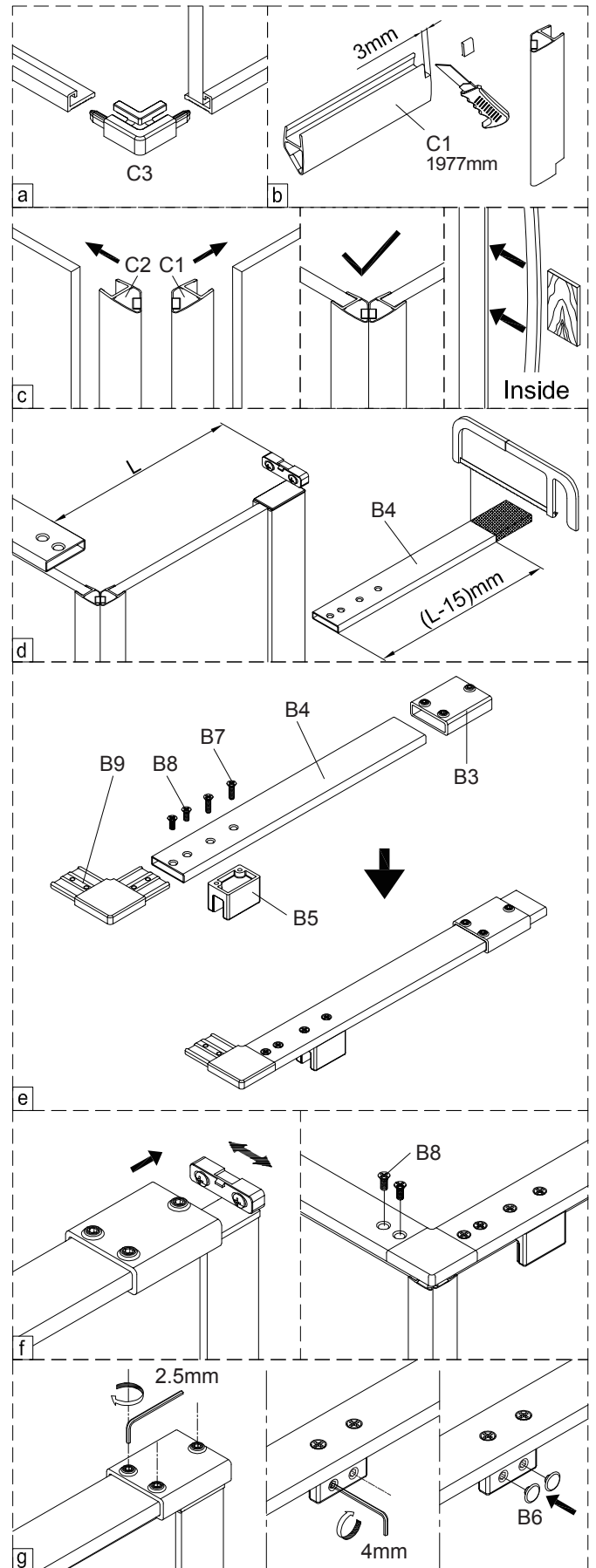
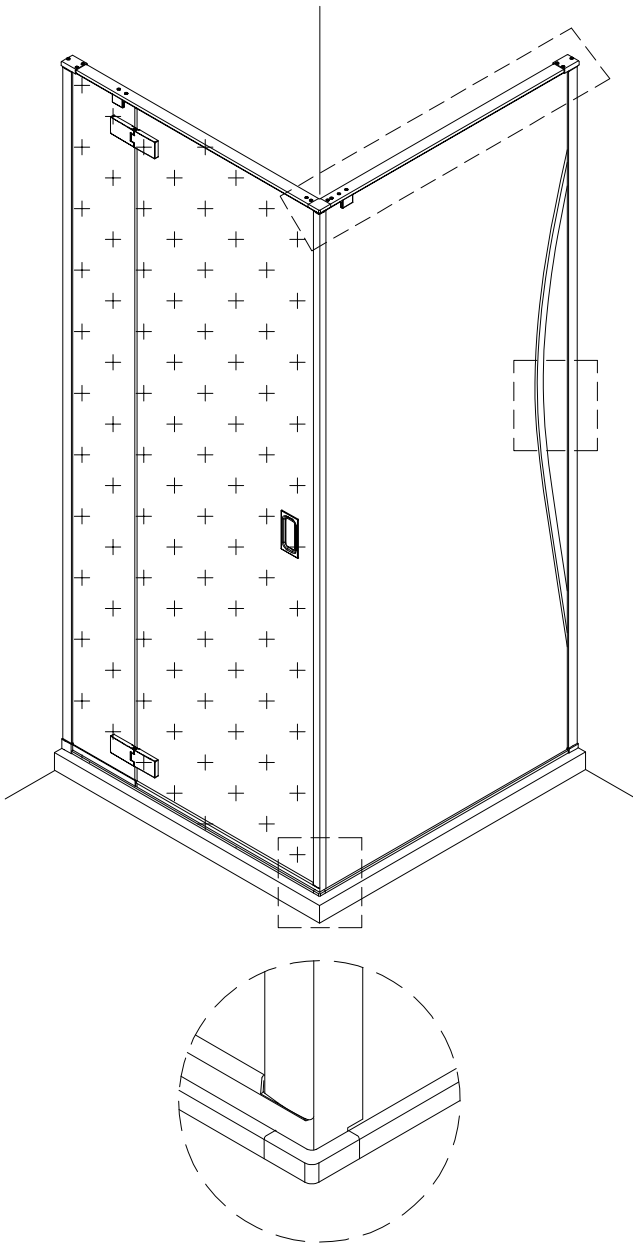
Step 2



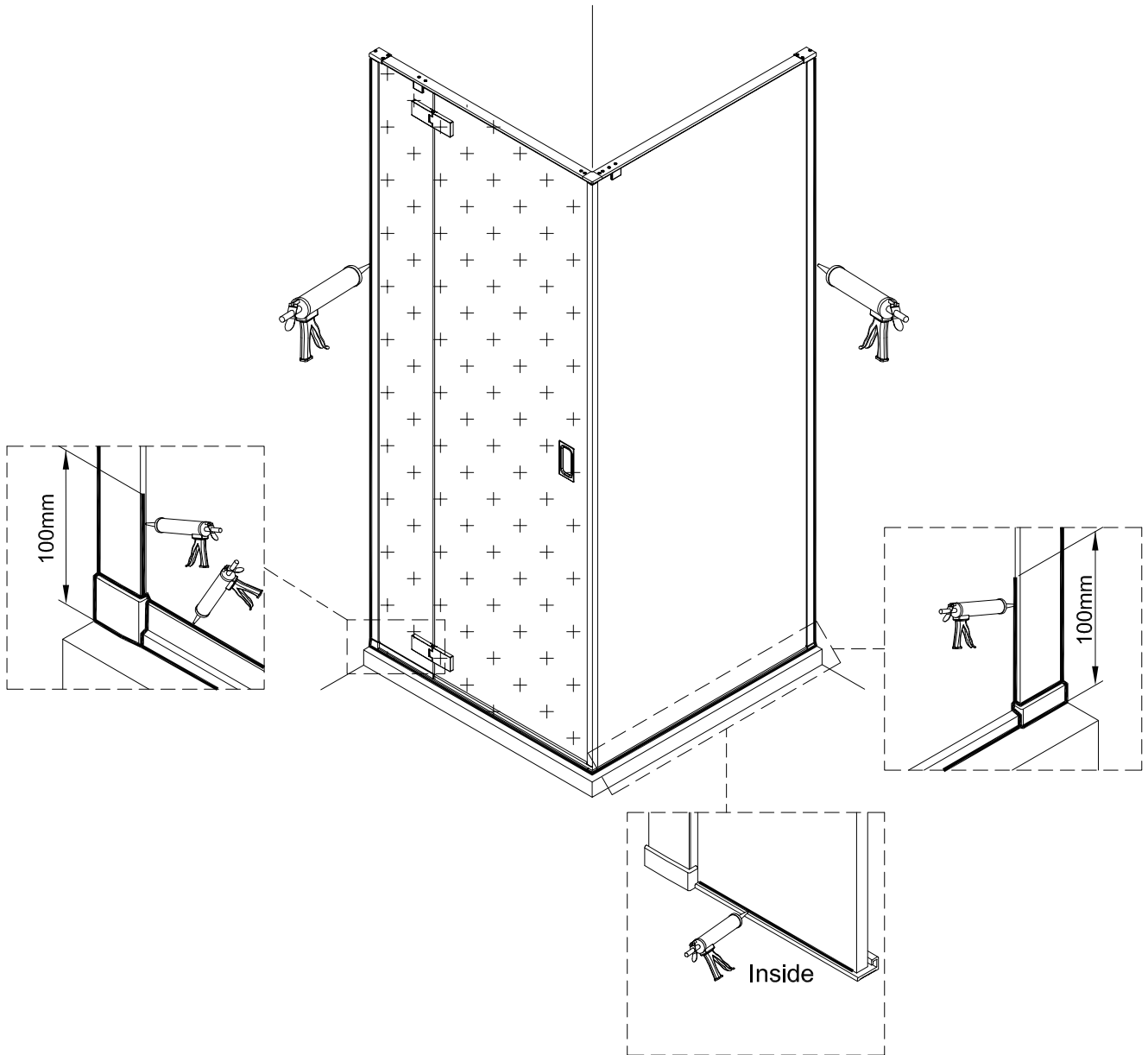
Step 3



Step 4



Step 5



crosswater<sup>®</sup>  
SHOWERING

For any further information please contact Crosswater  
Phone number, 0345 873 8840

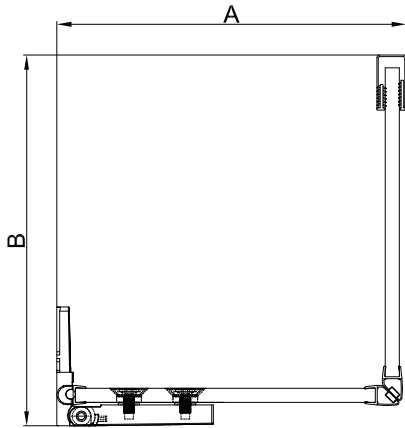
Website, [crosswater.co.uk](http://crosswater.co.uk)

Email address, [sales@crosswater.co.uk](mailto:sales@crosswater.co.uk)

The manufacturer reserves the right to make technical modifications without prior notice.

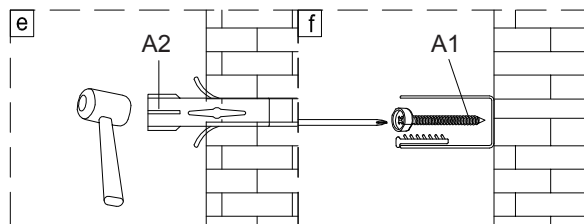
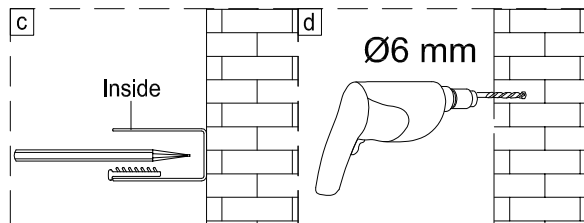
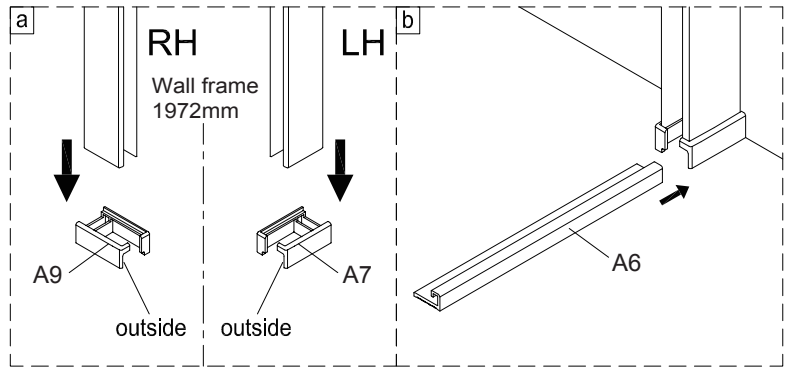
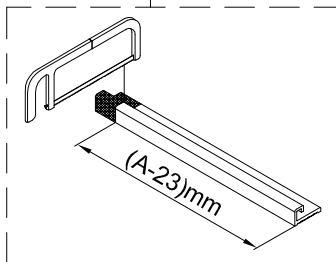
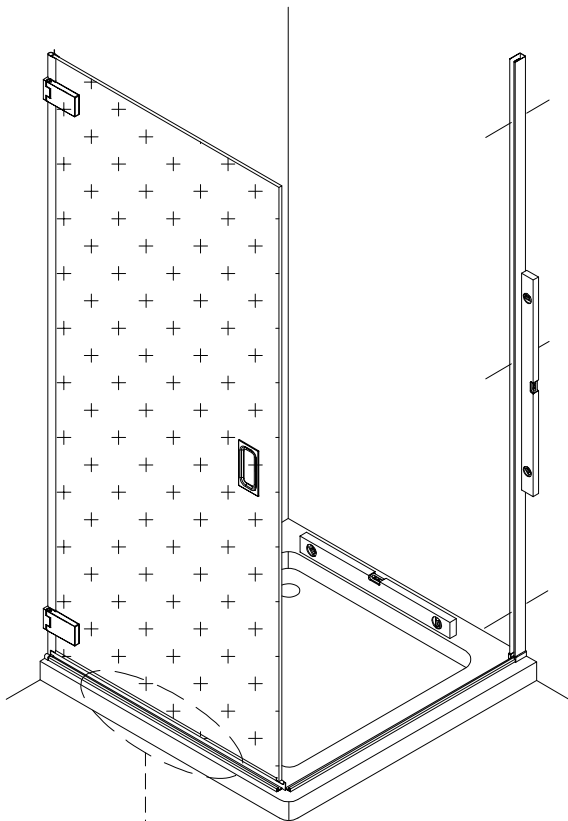


Step 1

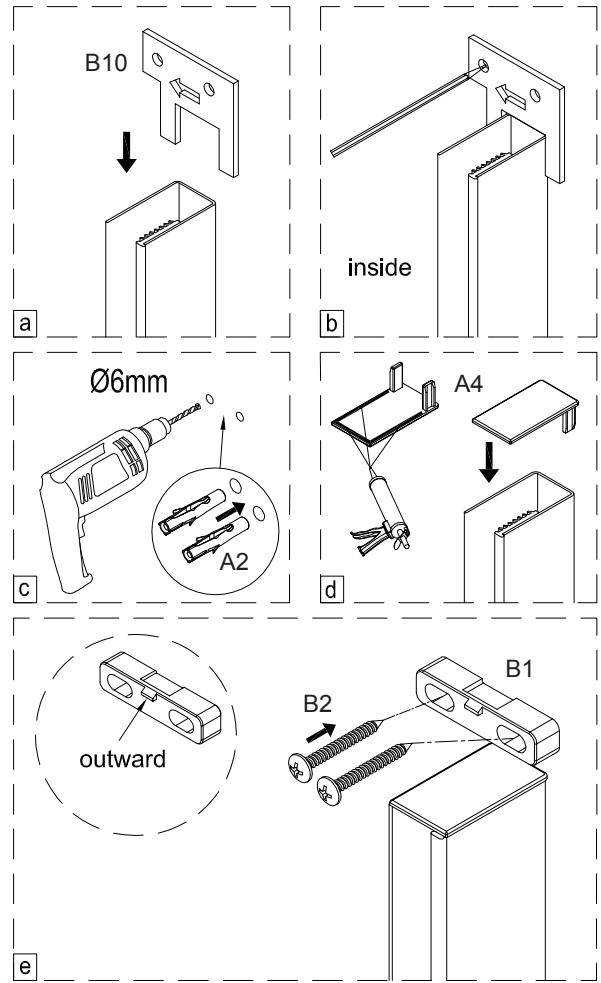
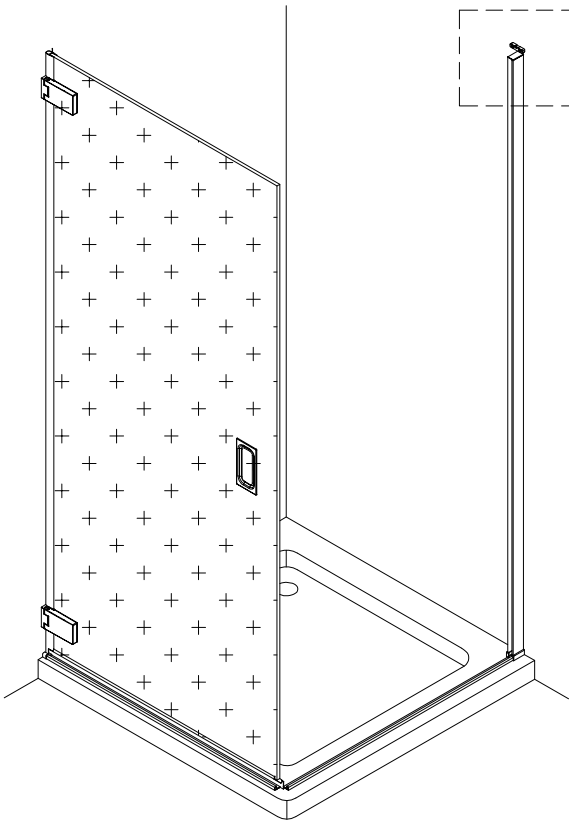


Model	A(mm)
SWHSC0800	767
SWHSC0900	867

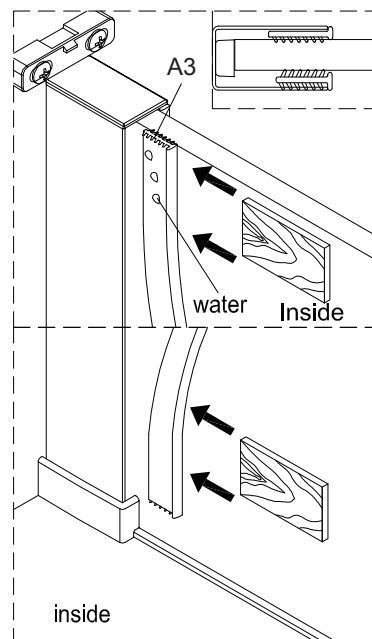
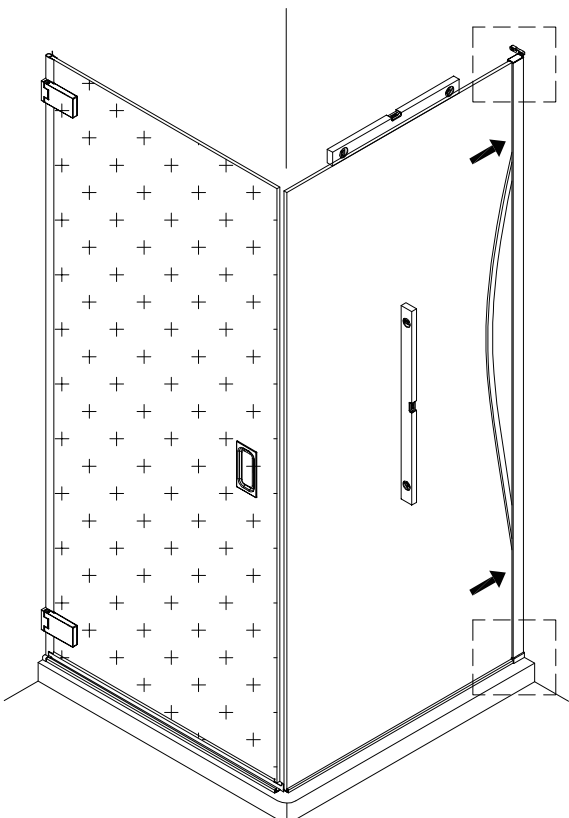
Model	B(mm)
SSPSC0700	677~692
SSPSC0800	777~792
SSPSC0900	877~892
SSPSC1000	977~992
SSPSC1200	1177~1192



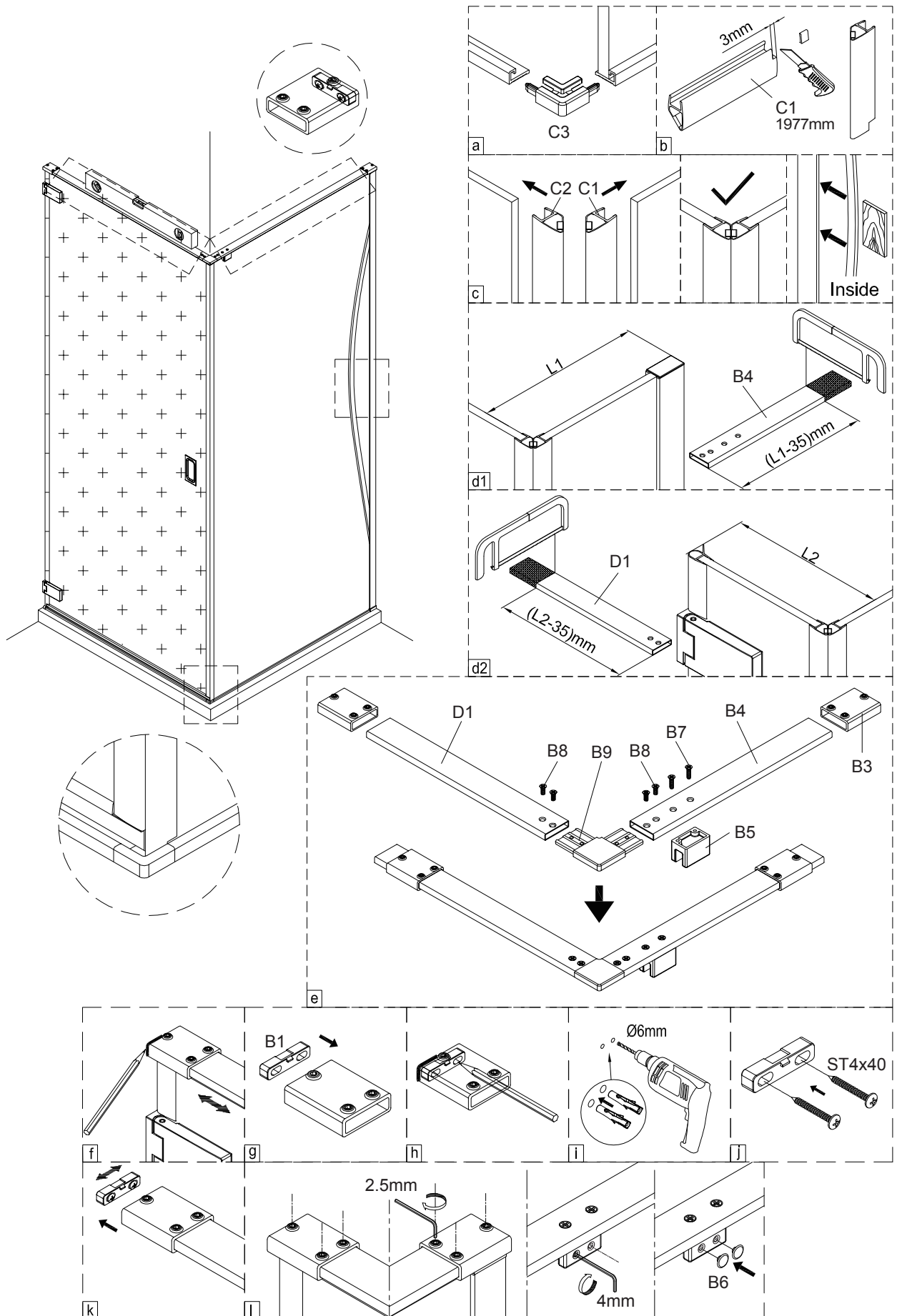
Step 2



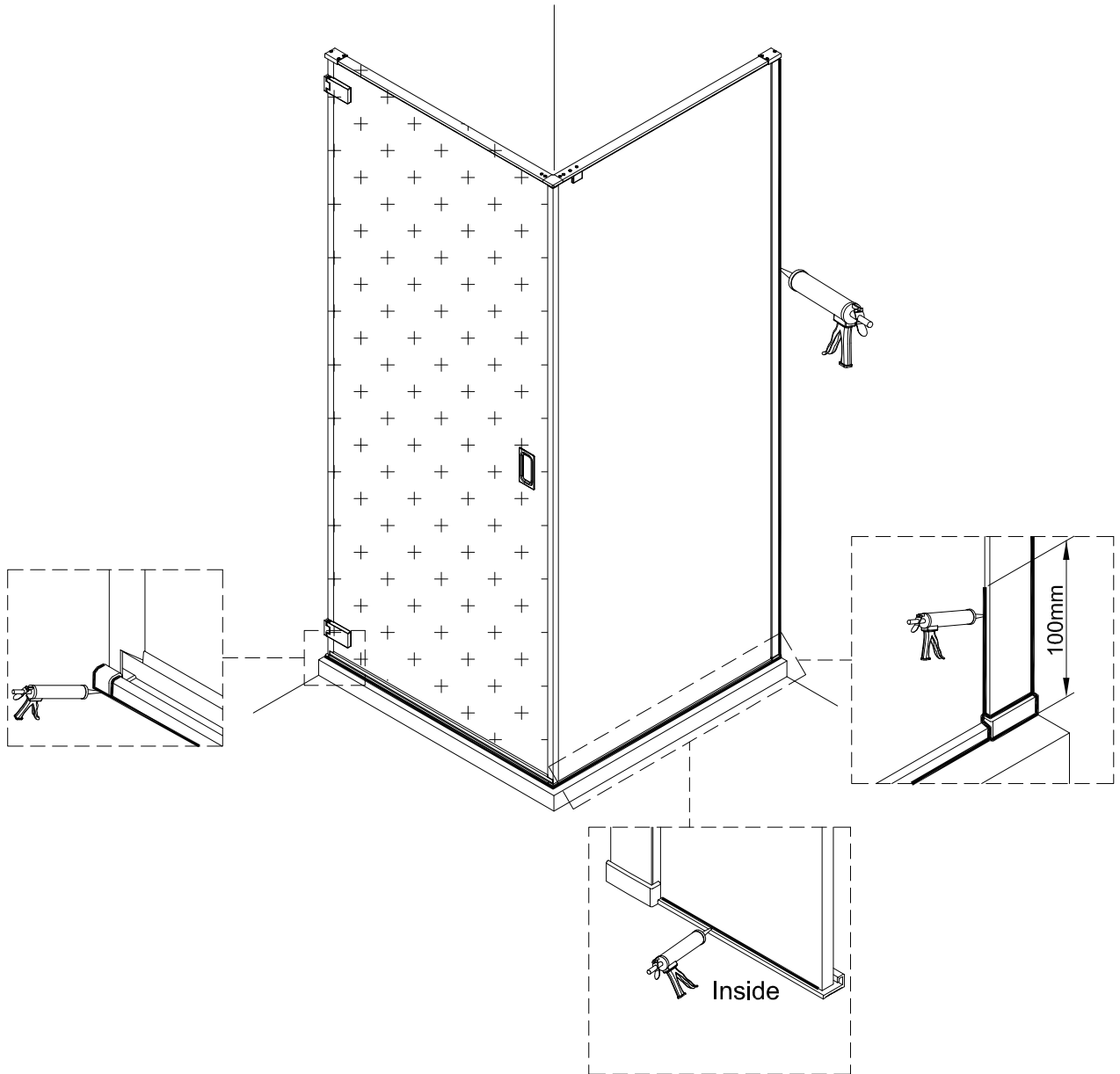
Step 3



Step 4



Step 5



crosswater<sup>®</sup>  
SHOWERING

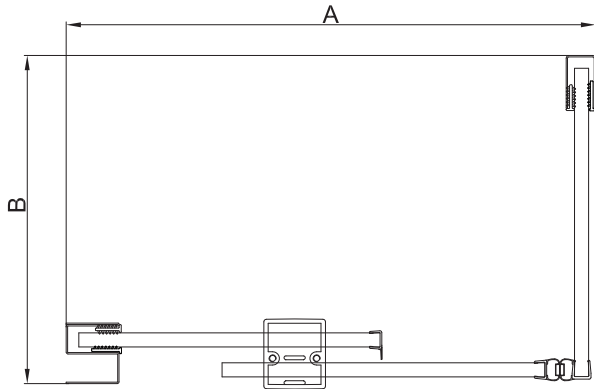
For any further information please contact Crosswater  
Phone number, 0345 873 8840

Website, [crosswater.co.uk](http://crosswater.co.uk)

Email address, [sales@crosswater.co.uk](mailto:sales@crosswater.co.uk)

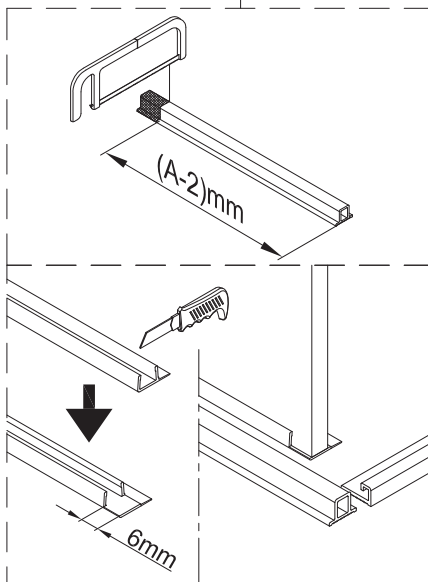
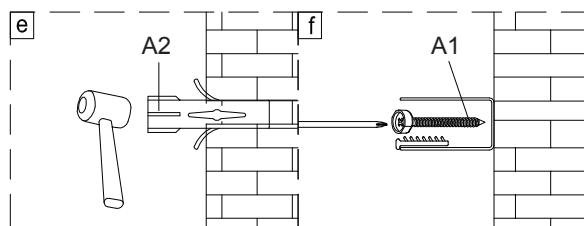
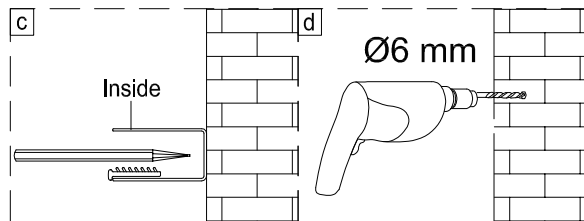
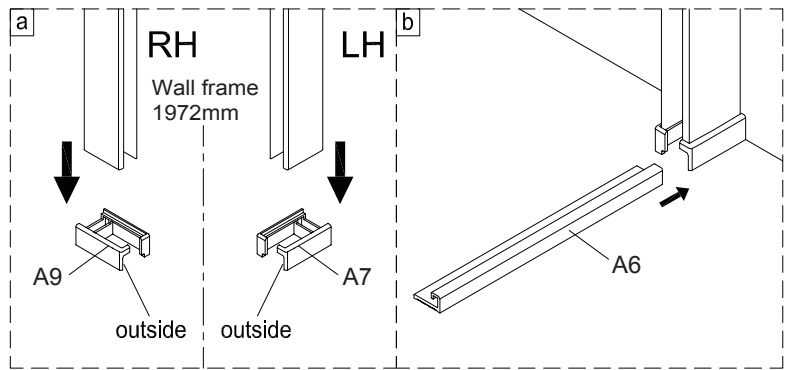
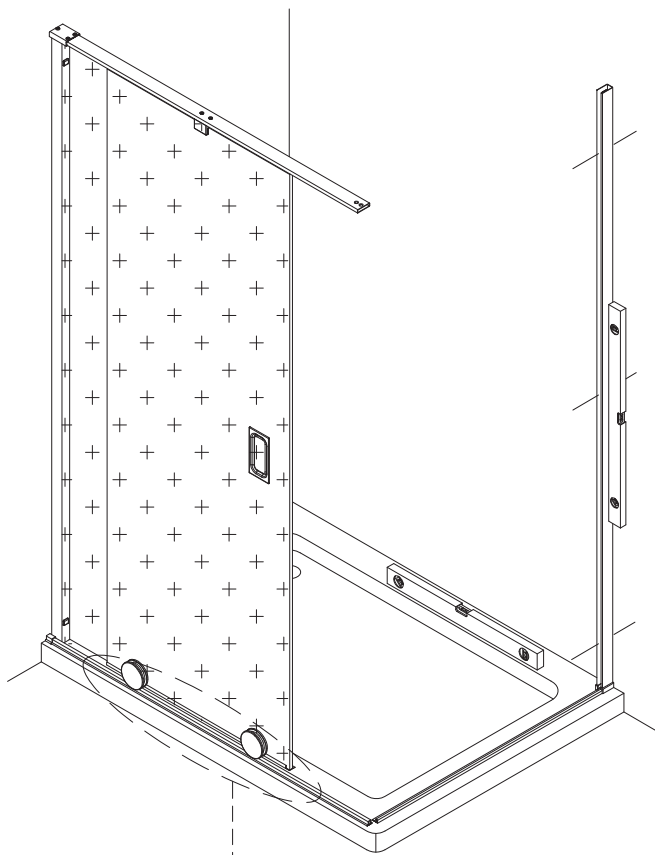
The manufacturer reserves the right to make technical modifications without prior notice.

## Step 1

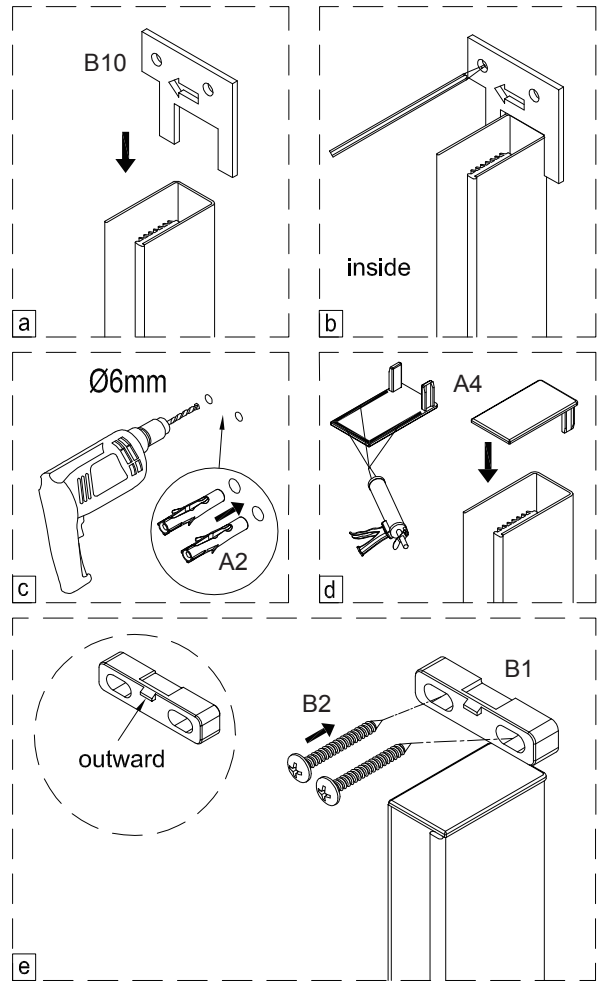
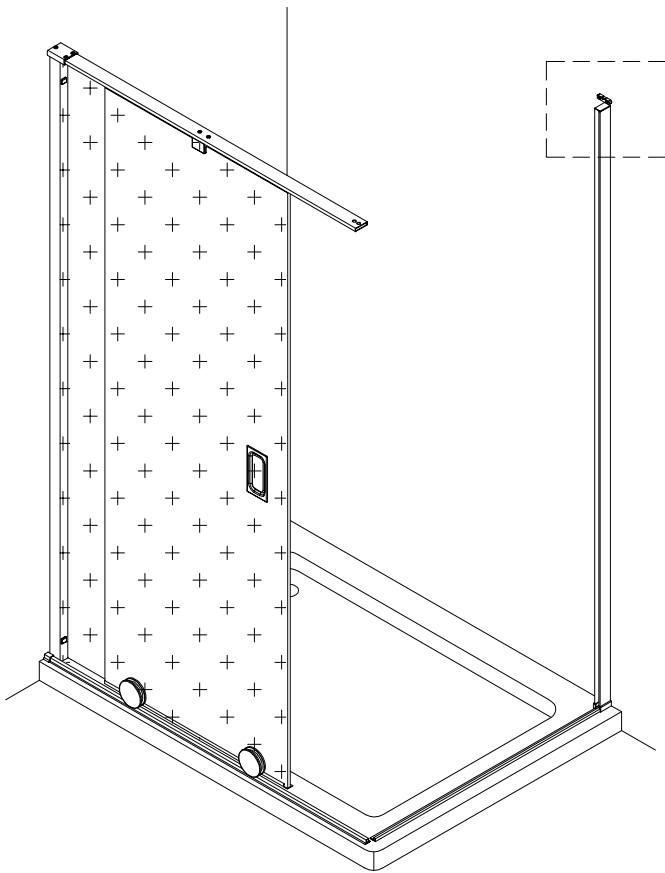


Model	A(mm)
SSLSC1200	1167~1182
SSLSC1400	1367~1382
SSLSC1700	1667~1682

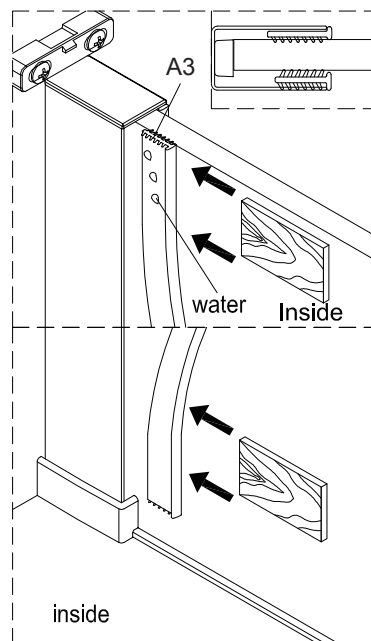
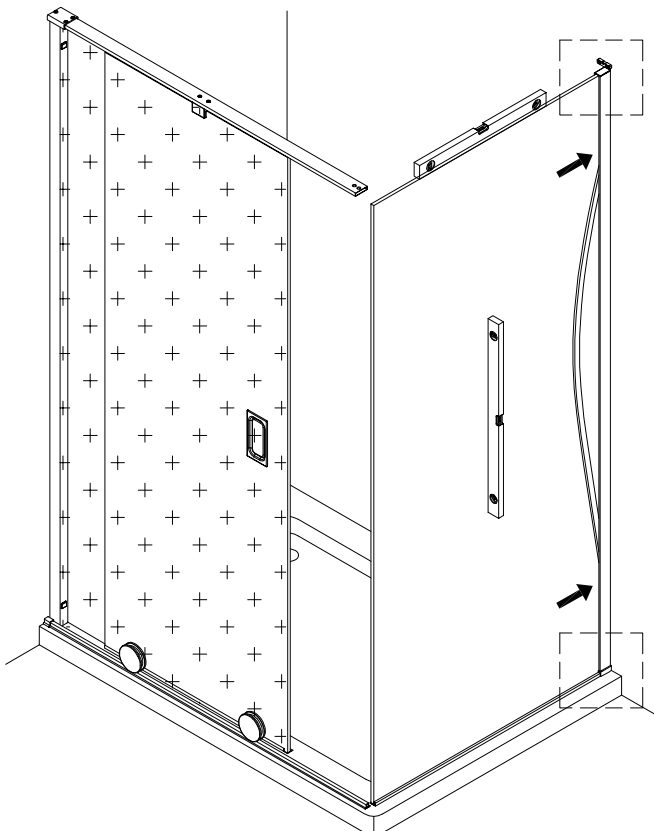
Model	B(mm)
SSPSC0700	654~669
SSPSC0800	754~769
SSPSC0900	854~869
SSPSC1000	954~969
SSPSC1200	1154~1169



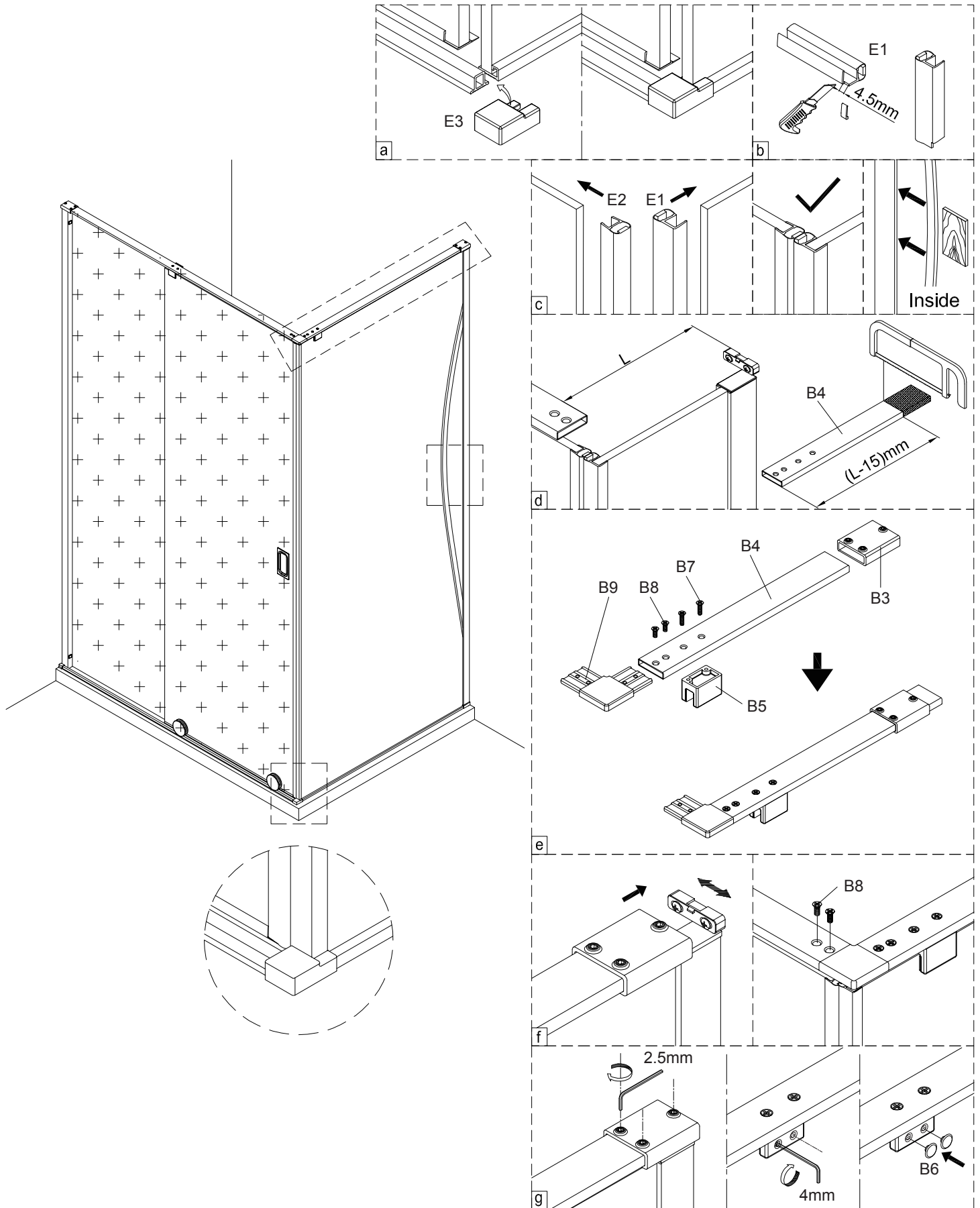
Step 2



Step 3



Step 4



Step 5

