

PRODUCT DATA SHEET



PRODUCT CODE

FH342F

RANGE

Revive

DESCRIPTION

Revive Multi Mode Showerhead
Brushed Brass

WEBSITE LINK [Click Here](#)

CATEGORY	Brassware
WARRANTY DETAILS	15 Years
COLOUR	Brushed Brass
FINISH APPLICATION	PVD
PRIMARY MATERIAL	Brass
INSTALL TYPE	Wall Mounted
PRODUCT WIDTH MM	100
PRODUCT HEIGHT MM	172
PRODUCT DEPTH MM	183
PRODUCT NET WEIGHT KG	1.89

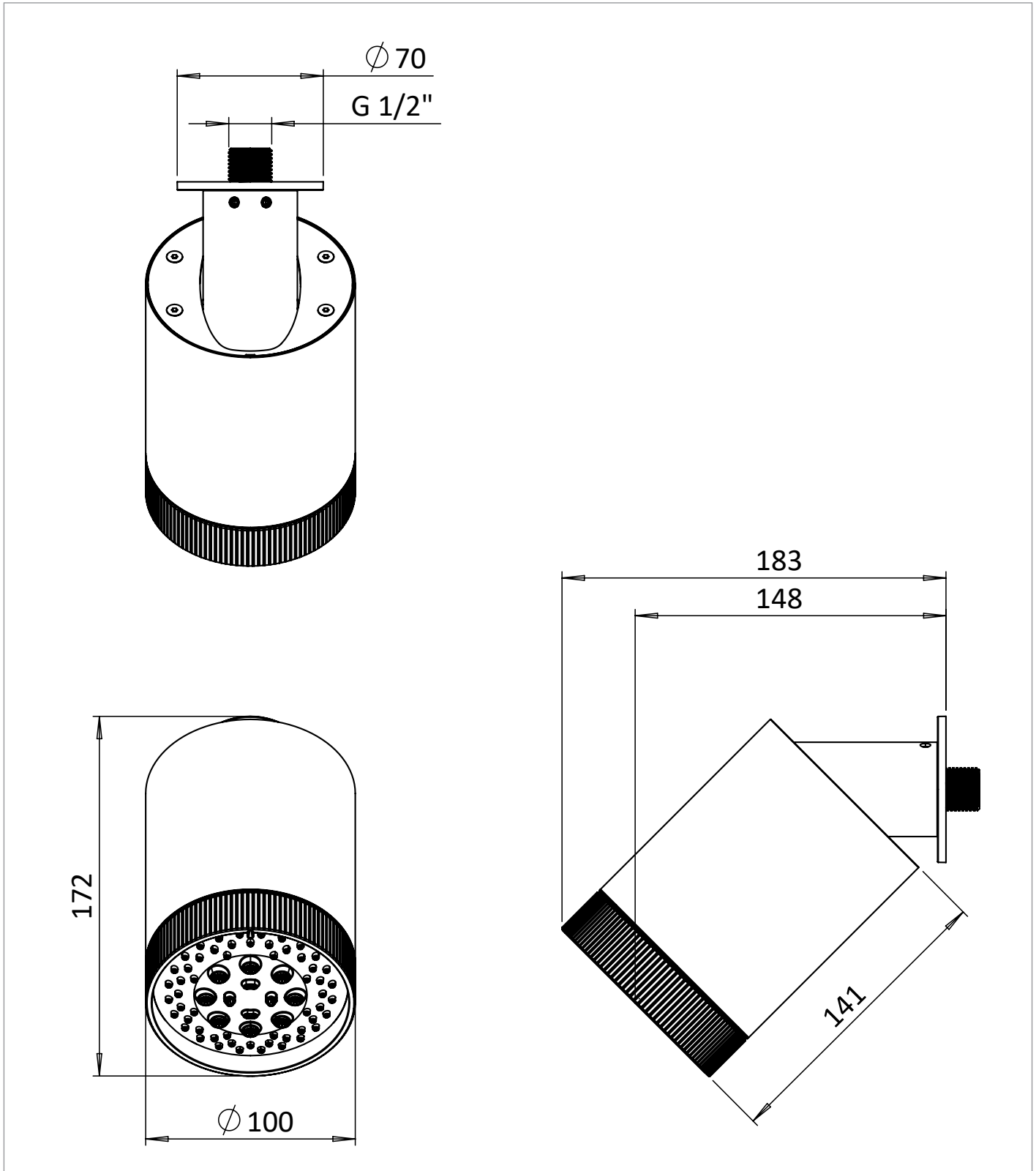
MINIMUM PRESSURE (BAR)	1
MAX WORKING PRESSURE (BAR)	5
NUMBER OF FUNCTIONS	5
INLET CONNECTIONS THREAD	G1/2"
WASTE INCLUDED	No
ANTI-SCALD	No
ENERGY SAVING	No
SHOWER HOSE & HANDSET ARE INCLUDED	No

PRESSURE (BAR)	0.2	0.5	1	2	3	4	5
PRIMARY FLOWRATE			5.6	7.7	8.9	8.5	8.4
HANDSET FLOWRATE							
MASSAGE FLOW RATE		2.5	3.6	5.1	6.4	7.3	8.2
AIR FLOW RATE		2.8	4.1	5.8	7	8.1	8.9
WIRE FLOW RATE							
WATERFALL FLOW RATE							
MIST FLOW RATE							
HANDSPRAY FLOW RATE							

TECHNICAL DIMENSIONS

Dimensions in mm unless otherwise specified.

Tolerances (per material type) apply.



SPARES LIST

Only the parts labelled are available as spares.

NO SPARES AVAILABLE