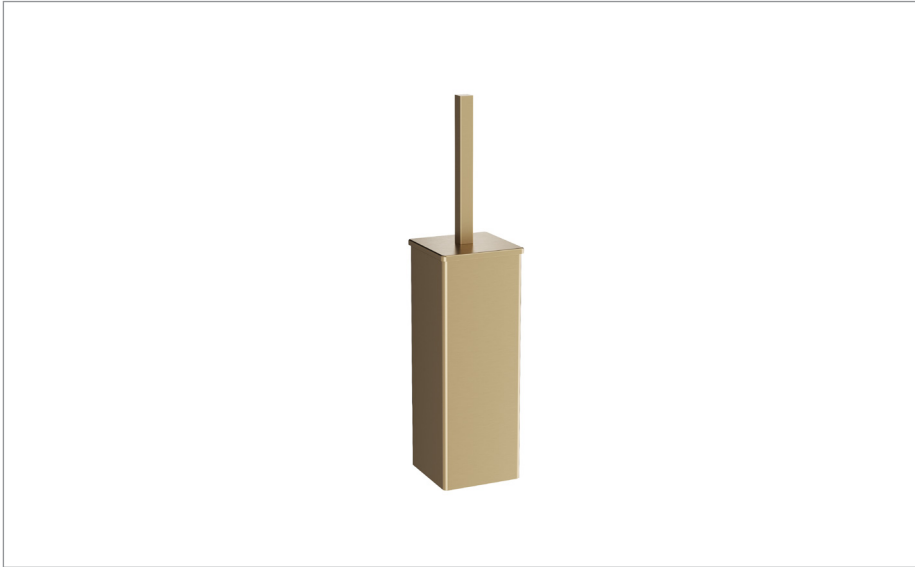


PRODUCT DATA SHEET



PRODUCT CODE

RT025F

RANGE

Rotar

DESCRIPTION

Rotar Toilet Brush Holder Brushed Brass

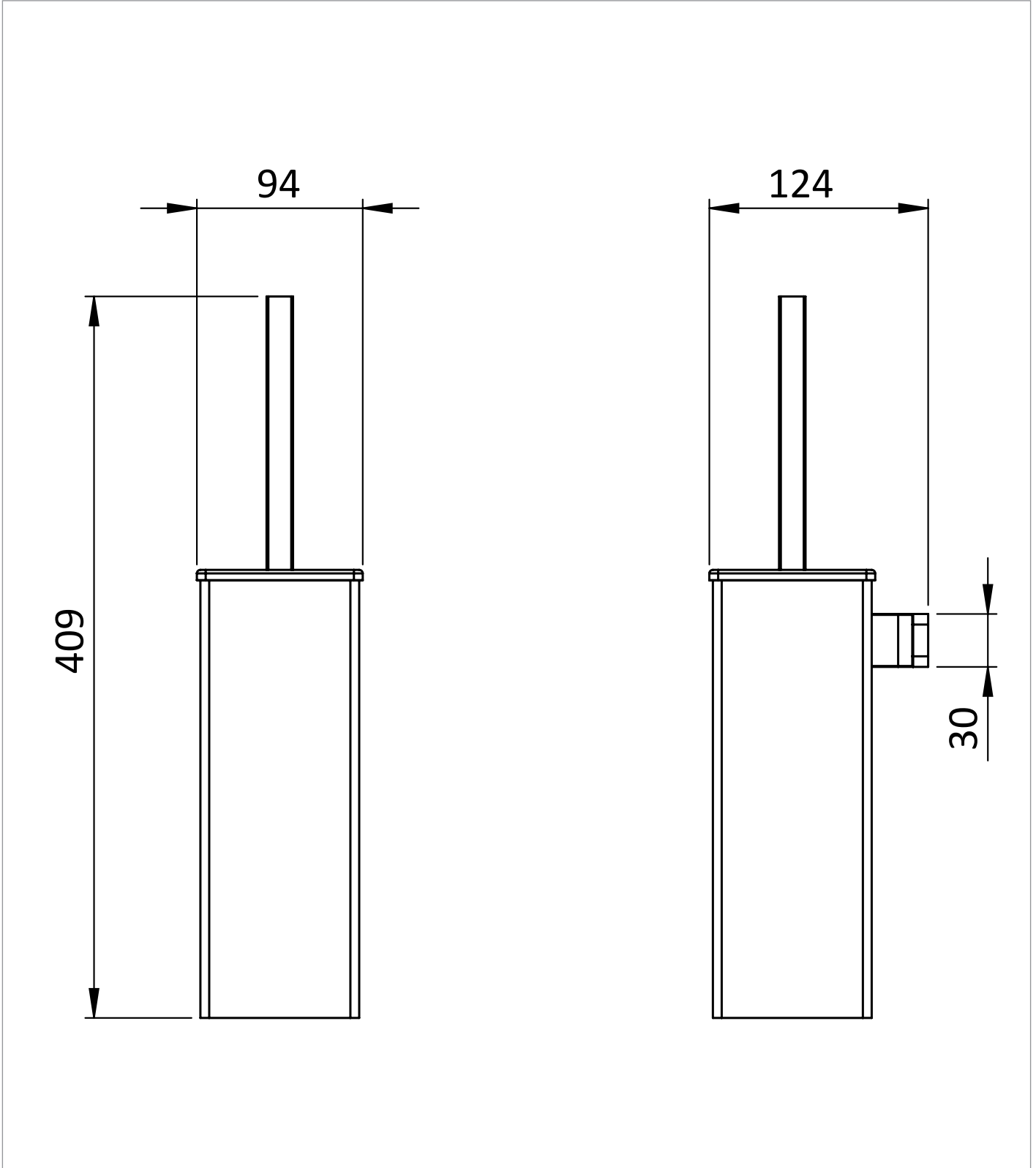
WEBSITE LINK [Click Here](#)

CATEGORY	Accessories
WARRANTY DETAILS	15 Years
COLOUR	Brushed Brass
FINISH APPLICATION	PVD
PRIMARY MATERIAL	304 Stainless Steel
SECONDARY MATERIAL	Brass
INSTALL TYPE	Wall Mounted
PRODUCT WIDTH MM	94
PRODUCT HEIGHT MM	409
PRODUCT DEPTH MM	124
PRODUCT NET WEIGHT KG	1.52

TECHNICAL DIMENSIONS

Dimensions in mm unless otherwise specified.

Tolerances (per material type) apply.



SPARES LIST

Only the parts labelled are available as spares.

SPARES AVAILABLE UPON REQUEST