

# PRODUCT DATA SHEET



## PRODUCT CODE

PRO120WNT

## RANGE

MPRO

## DESCRIPTION

MPRO Basin 2H Set Wall Mounted Slate

WEBSITE LINK [Click Here](#)

CATEGORY	Brassware
WARRANTY DETAILS	15 Years
COLOUR	Slate
FINISH APPLICATION	PVD
PRIMARY MATERIAL	Brass
INSTALL TYPE	Wall Mounted
PRODUCT WIDTH MM	162
PRODUCT HEIGHT MM	95
PRODUCT LENGTH MM	229
PRODUCT NET WEIGHT KG	2.08
STANDARDS	BS EN 200:2008, BS EN 817:2008

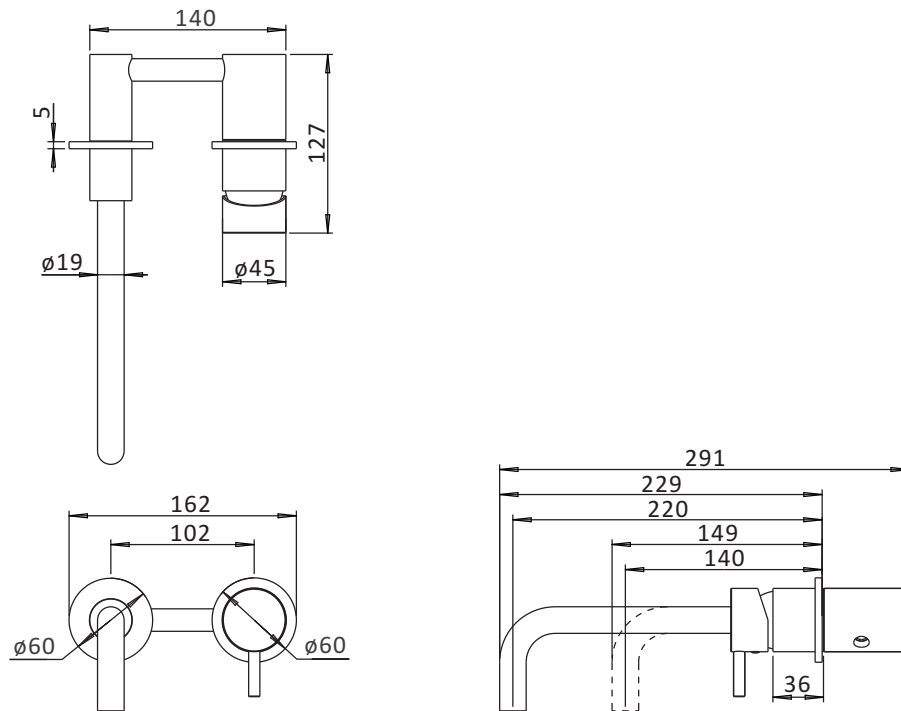
MINIMUM PRESSURE (BAR)	0.5
MAX WORKING PRESSURE (BAR)	6
NUMBER OF OUTLETS	1
NUMBER OF FUNCTIONS	1
HEADWORK	35mm Single lever ceramic cartridge
SPOUT PROJECTION	220
SWIVEL SPOUT	No
INLET CONNECTIONS THREAD	G1/2"
FLOW REGULATOR	Aerator
WASTE INCLUDED	No
ANTI-SCALD	No
ENERGY SAVING	No
SHOWER HOSE & HANDSET ARE INCLUDED	No

PRESSURE (BAR)	0.2	0.5	1	2	3	4	5
PRIMARY FLOWRATE		3.4	4.4	5.63	4.95	4.51	4.74
HANDSET FLOWRATE							
MESSAGE FLOW RATE							
AIR FLOW RATE							
WIRE FLOW RATE							
WATERFALL FLOW RATE							
MIST FLOW RATE							
HANDSPRAY FLOW RATE							

## TECHNICAL DIMENSIONS

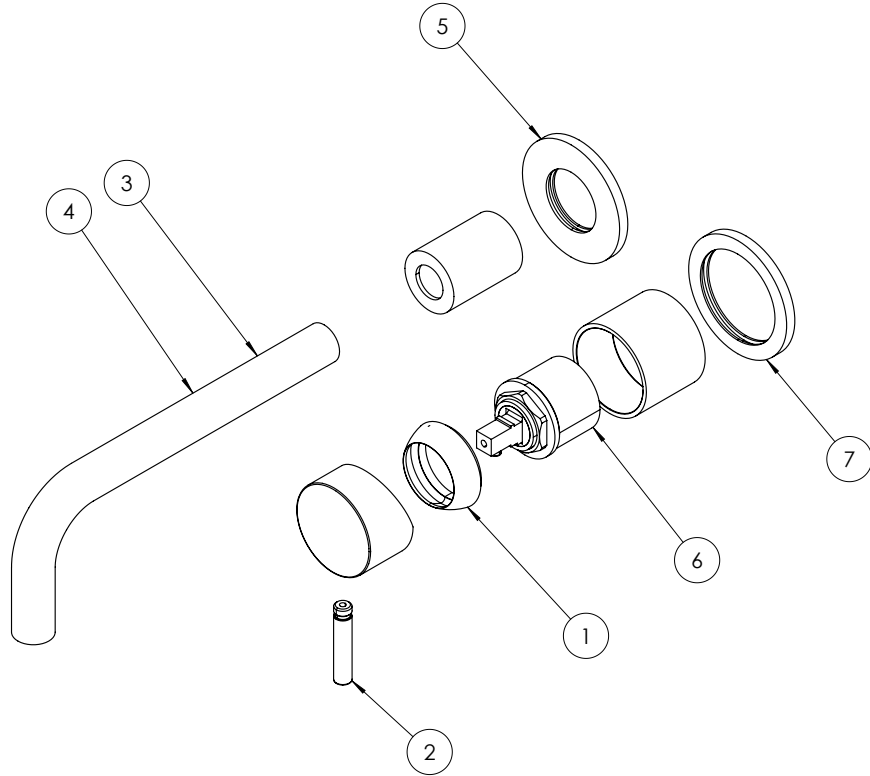
Dimensions in mm unless otherwise specified.

Tolerances (per material type) apply.



## SPARES LIST

Only the parts labelled are available as spares.



NUMBER	PART CODE	DESCRIPTION
1	PRO120CARTCOVERBZ	PRO120 Cartridge Cover & Collar Brushed Bronze
	PRO120CARTCOVERT	PRO120 Cartridge Cover & Collar Slate
2	PRO120LEVERBZ	PRO120 Lever Brushed Bronze
	PRO120LEVERT	PRO120 Lever Slate
3	PRO120SPOUT140BZ	PRO120 140mm Spout Brushed Bronze
	PRO120SPOUT140T	PRO120 140mm Spout Slate
4	PRO120SPOUT220BZ	PRO120 220mm Spout Brushed Bronze
	PRO120SPOUT220T	PRO120 220mm Spout Slate
5	PRO120WSHROUDBZ	PRO120WNBZ Wall Shroud Chrome
6	X1A030N	Basin Cartridge PRO120/WP120/DE110
7	ZOT419C-2BZ	PRO120WNBZ Wall Flange
	ZOT419C-2T	PRO120WNT Wall Flange