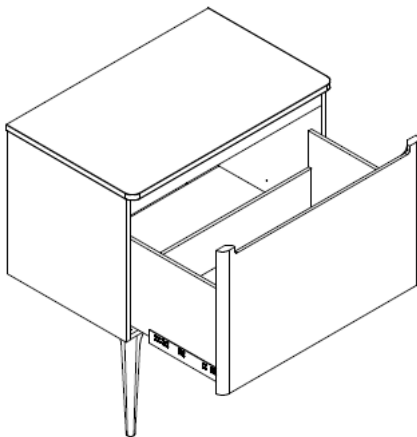
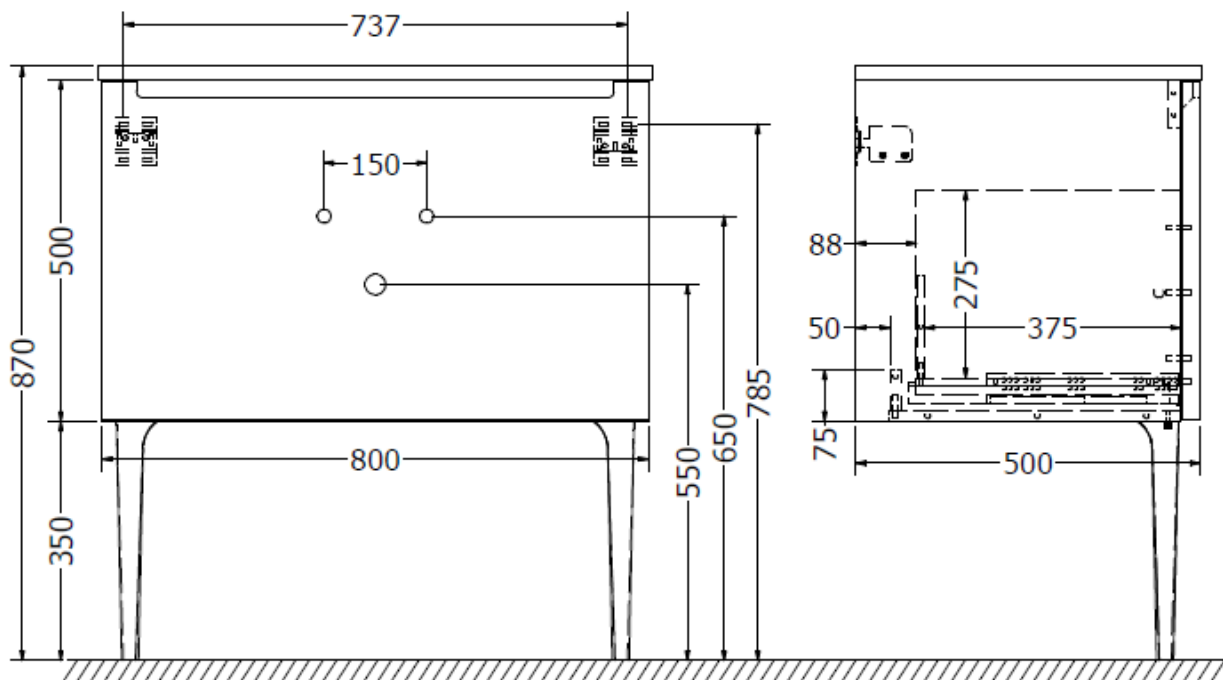


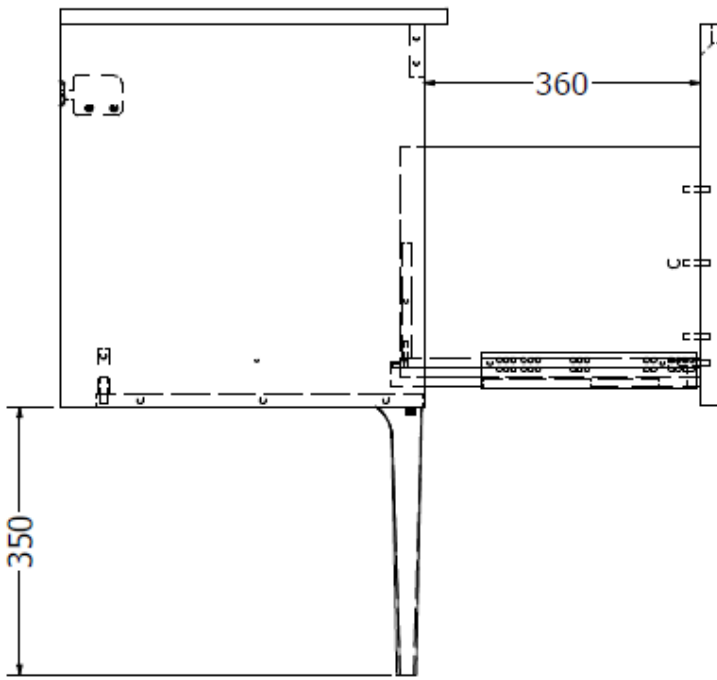
ARTIST 800mm FURNITURE



TECHNICAL DATA		SPECIFICATION	
CODE No UNIT	ART8000DXX	Additional Information:	The intended installation wall needs to be strong enough for the weight of the furniture and basin. Wall fixings for solid walls included. Laminate finishes/lacquer tested to ISO 22196 Measurement of antibacterial activity Graded Strong value of anti-bacterial effect A>3 Work top is produced from FSC compliant solid oak. Optional floor standing feet produced from FSC compliant solid beechwood.
Required	Solid Oak worktop ART8100TOAK		
Recommended use:	Domestic, residential		
Dimension Unit	w 800 x d 500 x h 500mm wall hung no top w 800 x d 500 x h 520mm wall hung with ART8100TOAK w 800 x d 500 x h 850mm floor standing no top w 800 x d 500 x h 870mm floor standing with top ART8100TOAK		
Installation:	Wall Hung or Floor standing with optional legs		
Materials:	Carcass and drawer 18mm MDF Drawer front 25mm thick MDF		
Specification:	Full extension soft close drawers - 40kg weight capacity 4 way drawer adjustment Anti-tip wall hangers 120Kg capacity		
Weight:	30kg		
Fitting:	Wall hangers integrated into carcass 3 way adjustable wall brackets supplied		
Required Fitting:	Compatible to basin requirement		
Advised Fitting:	Space saving 50mm seal trap BTR0510W		
Option Accessories:	Floor standing legs and internal drawer organisers		
Warranty	10 years on furniture		



Drawer extension



Plan View

