

PRODUCT DATA SHEET



PRODUCT CODE

GRCEILBRACET

RANGE

Gallery

DESCRIPTION

Gallery Ceiling Brace Slate

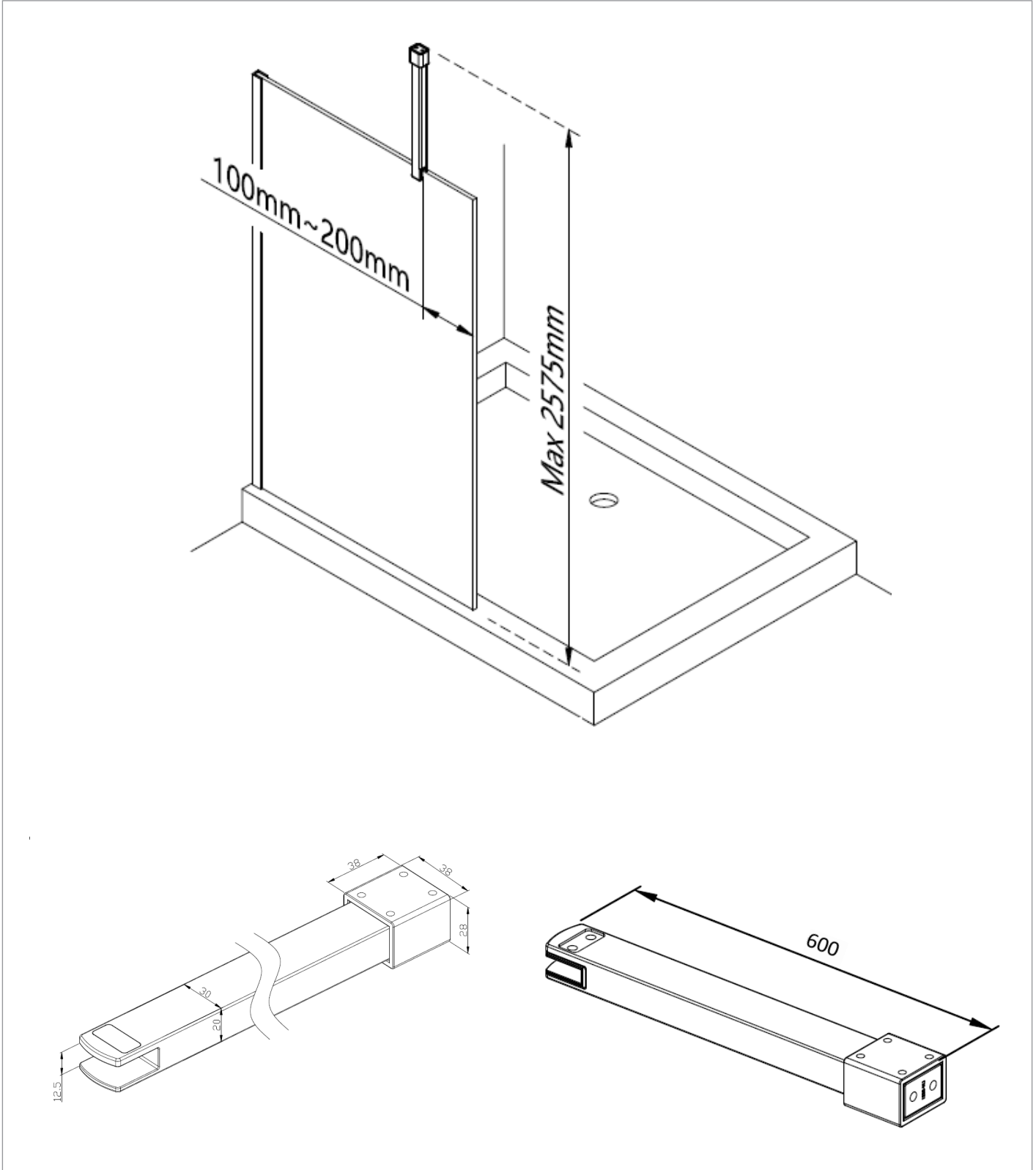
WEBSITE LINK [Click Here](#)

| | |
|-----------------------|---------------------|
| CATEGORY | Showering |
| WARRANTY DETAILS | 2 Years |
| COLOUR | Slate |
| FINISH APPLICATION | PVD |
| PRIMARY MATERIAL | 304 Stainless Steel |
| INSTALL TYPE | Ceiling Mounted |
| PRODUCT WIDTH MM | 38 |
| PRODUCT LENGTH MM | 600 |
| PRODUCT NET WEIGHT KG | 0.4 |
| STANDARDS | EN14428 |

TECHNICAL DIMENSIONS

Dimensions in mm unless otherwise specified.

Tolerances (per material type) apply.



SPARES LIST

Only the parts labelled are available as spares.

SPARES AVAILABLE UPON REQUEST