

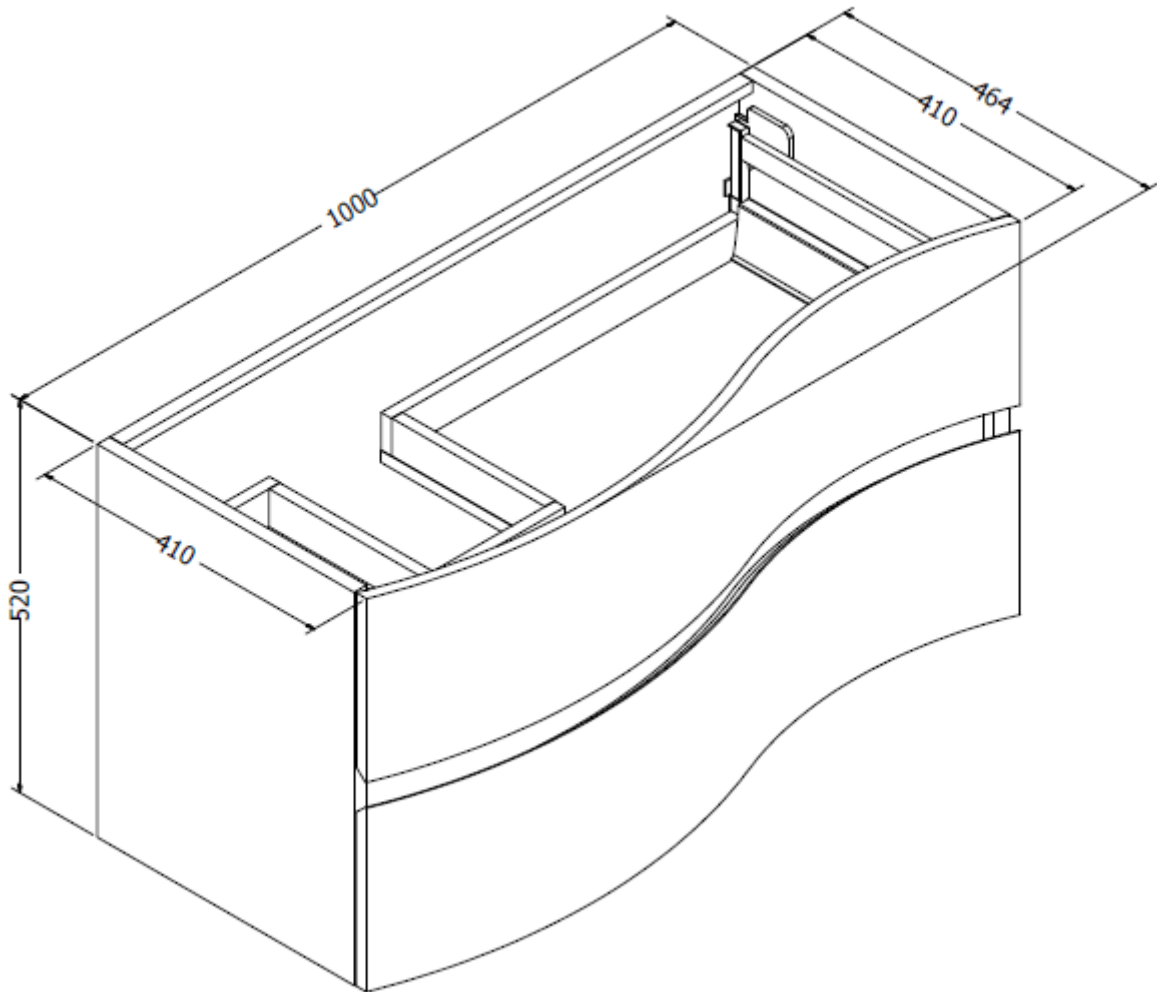
Measurements in millimetres mm

Information updated April 2019

Tel 0345 873 8840

crosswater[™]

TECHNICAL



SVELTE 1000 S Basin Unit

For Use with SE1011S BASINS

SE1000SD