

PRODUCT DATA SHEET



PRODUCT CODE

SE1000SDAW+

RANGE

SVELTE

DESCRIPTION

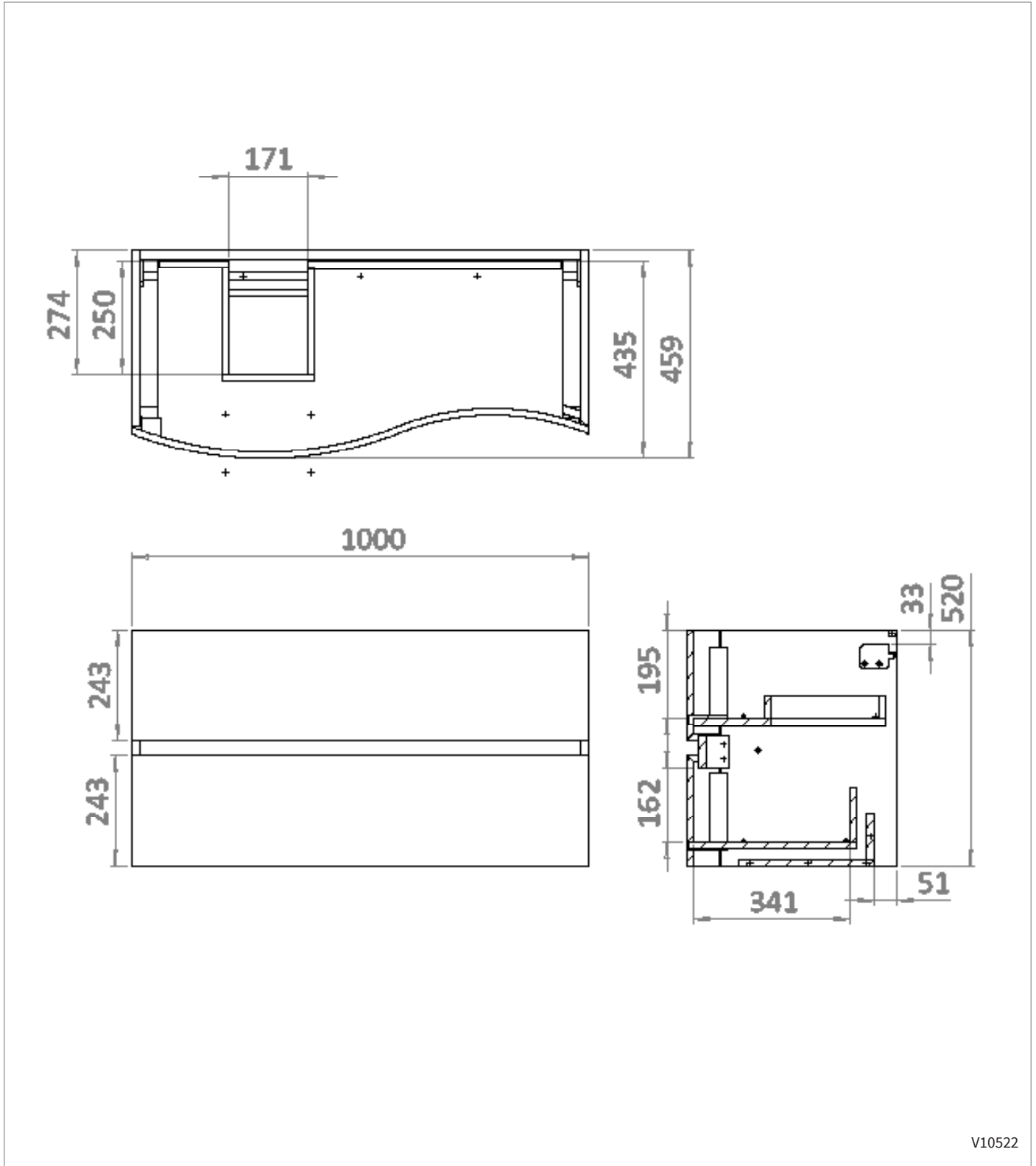
1000mm S Basin Unit American Walnut

COLOUR	American Walnut
COLOUR CODE/ REFERENCE	Crosswater Exclusive
MATERIAL	Real Wood Veneer 18mm MDF
STANDARDS	EN 13986 EN 14749
INSTALLATION TYPE	Wall-Mounted
DRAWER BOX	Textile Finish MFC Concealed Runners
DRAWER RUNNERS	BLUM Tandem Box - Soft Close Pull To Open
DRAWER EXTENSION	Full Extension
DRAWER ADJUSTMENT	3 Way
DRAWER CAPACITY	30kg
WALL HANGERS	CAMAR With Safety Lock - Factory Fitted 120kg Load Capacity On A Solid Wall 3 Way Adjustment
WEIGHT	45kg
WARRANTY	10 Years

TECHNICAL DIMENSIONS

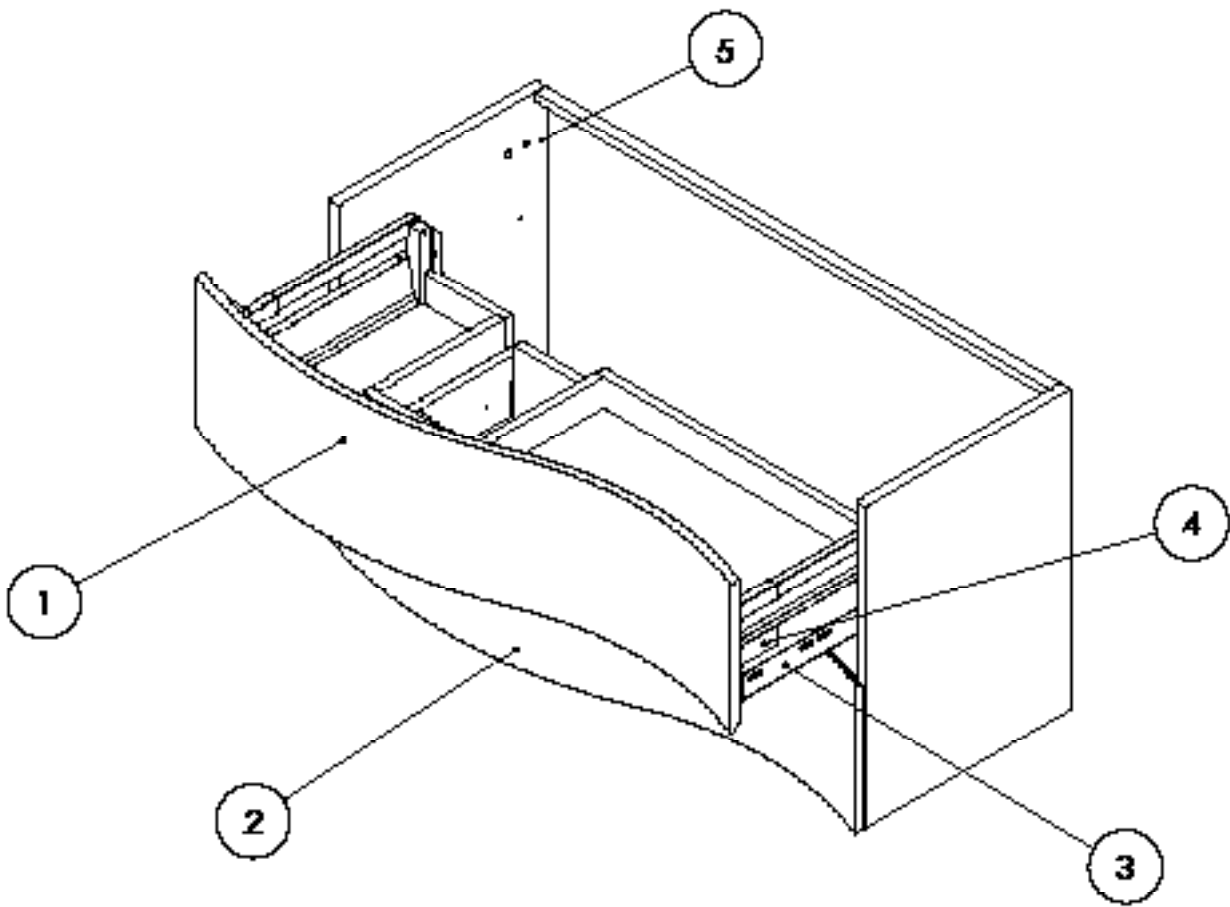
Dimensions in mm unless otherwise specified.

Tolerances (per material type) apply.



V10522

SPARES DIAGRAM



Only the parts labelled are available as spares.

V10522

SPARES DIAGRAM

NUMBER	PART CODE	DESCRIPTION
1	TDF_100SEDGA	Top Drawer Front from SE1000SDGA+
	TDF_100SDSG	Top Drawer Front from SE1000SDSG+
	TDF_100SEDWG	Top Drawer Front from SE1000SDWG+
	TDF_100SEDAW+	Top Drawer Front from SE1000SDAW+
	TDF_100SEDOB+	Top Drawer Front from SE1000SDOB+
	TDF_100SDCO+	Top Drawer Front from SE1000SDCO+
2	BDF_100SEDGA	Bottom Drawer Front from SE1000SDGA+
	BDF_100SEDSG	Bottom Drawer Front from SE1000SDSG+
	BDF_100SEDWG+	Bottom Drawer Front from SE1000SDWG+
	BDF_100SEDAW+	Bottom Drawer Front from SE1000SDAW+
	BDF_100SEDOB+	Bottom Drawer Front from SE1000SDOB+
	BDF_100SDCO+	Bottom Drawer Front from SE1000SDCO+
3	RUNNERS_SVELTE	Drawer Runners from the Svelte Furniture
4	SECLIPS	Svelte Drawer Covers x4
5	WB897ASZ16070	Wall Bracket x2

We recommend purchasing the top and bottom drawer fronts for the following codes to ensure the continuity of the naturally formed veneer pattern:

American Walnut

Castilla Oak

Grey Ash

Only the parts labelled are available as spares.

V10522