

PRODUCT DATA SHEET



PRODUCT CODE

GRCEILBRACEBZ

RANGE

Gallery

DESCRIPTION

Gallery Ceiling Brace Brushed Bronze

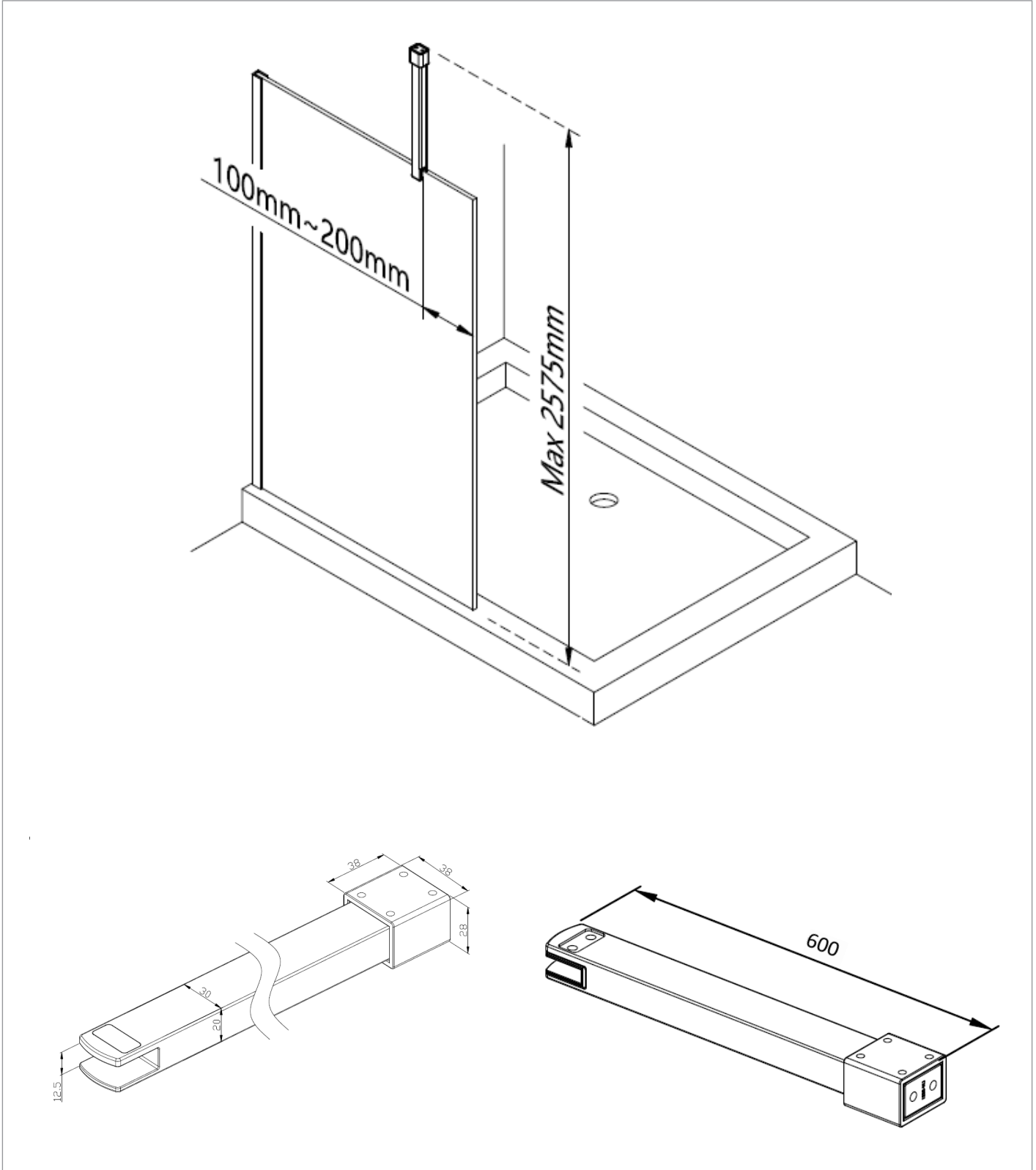
WEBSITE LINK [Click Here](#)

CATEGORY	Showering
WARRANTY DETAILS	15 Years
COLOUR	Brushed Bronze
FINISH APPLICATION	PVD
PRIMARY MATERIAL	304 Stainless Steel
INSTALL TYPE	Ceiling Mounted
PRODUCT WIDTH MM	38
PRODUCT LENGTH MM	600
PRODUCT NET WEIGHT KG	0.4
STANDARDS	EN14428

TECHNICAL DIMENSIONS

Dimensions in mm unless otherwise specified.

Tolerances (per material type) apply.



SPARES LIST

Only the parts labelled are available as spares.

SPARES AVAILABLE UPON REQUEST