

PRODUCT DATA SHEET



PRODUCT CODE

AV600DWHWO

RANGE

Avenue

DESCRIPTION

Avenue Two Drawer Wall Hung Vanity
600mm Windsor Oak

WEBSITE LINK [Click Here](#)

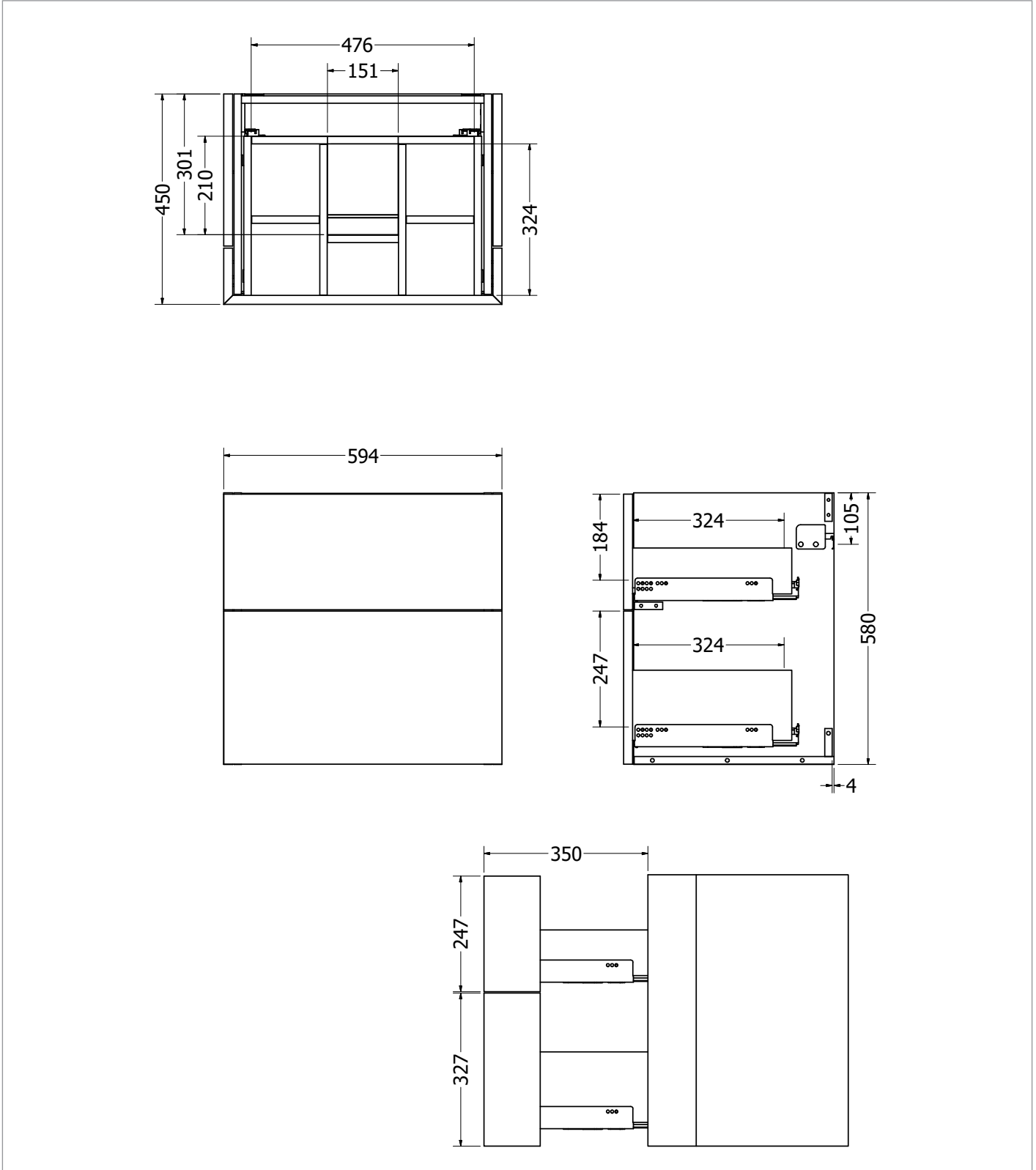
CATEGORY	Furniture
WARRANTY DETAILS	10 Years
COLOUR	Windsor Oak
FINISH APPLICATION	Unlacquered
PRIMARY MATERIAL	MFC
SECONDARY MATERIAL	MDF
INSTALL TYPE	Wall Mounted
PRODUCT WIDTH MM	594
PRODUCT HEIGHT MM	580
PRODUCT DEPTH MM	450
PRODUCT NET WEIGHT KG	30

DRAWER BOX	Wood
DRAWER RUNNERS	BLUM
DRAWER EXTENSION	Yes
DRAWER ADJUSTMENT	3 way
WALL HANGERS	Yes
ADJUSTABLE FEET	No
DRAWER CAPACITY	40 kgs
DRAWER OPERATION	Push to Open Soft Close

TECHNICAL DIMENSIONS

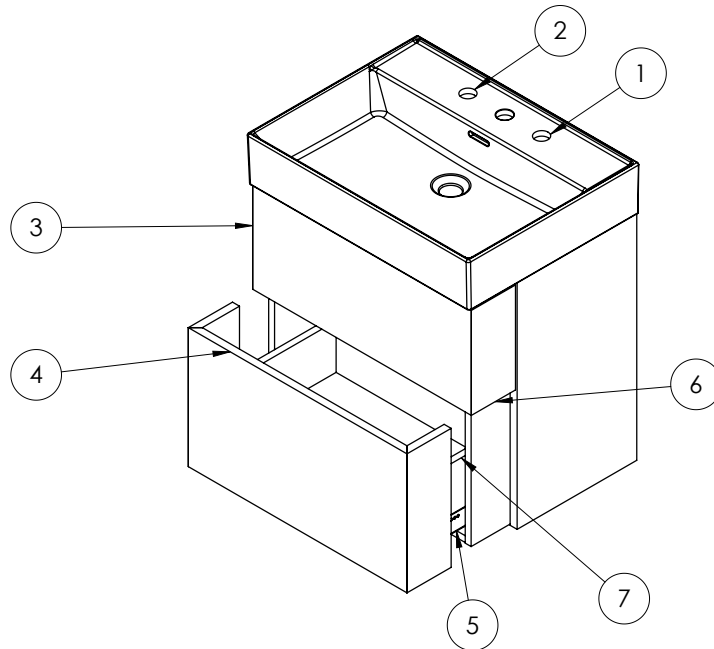
Dimensions in mm unless otherwise specified.

Tolerances (per material type) apply.



SPARES LIST

Only the parts labelled are available as spares.



NUMBER	PART CODE	DESCRIPTION
1	AVA0601SCW	Avenue Basin 1TH Tall Ceramic Basin 600mm White
2	AVA0603SCW	Avenue Basin 3TH Tall Ceramic Basin 600mm White
3	TD_AV600SGR	Avenue 600 Top Drawer Front Sage Green
	TD_AV600WS	Avenue 600 Top Drawer Front Warm Stone
	TD_AV600WO	Avenue 600 Top Drawer Front Windsor Oak
4	LD_AV600SGR	Avenue 600 Lower Drawer Front Sage Green
	LD_AV600WS	Avenue 600 Lower Drawer Front Warm Stone
	LD_AV600WO	Avenue 600 Lower Drawer Front Windsor Oak
5	RUNNERS_AVENUE	Avenue Drawer Runners
6	TD_600AV	Avenue 600 Top Drawer
7	LD_600AV	Avenue 600 Lower Drawer