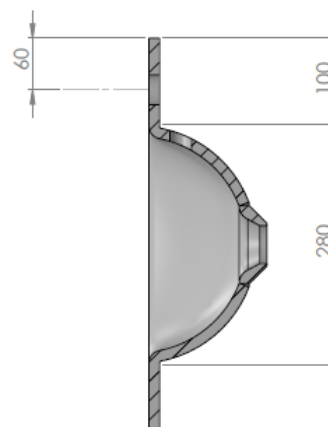
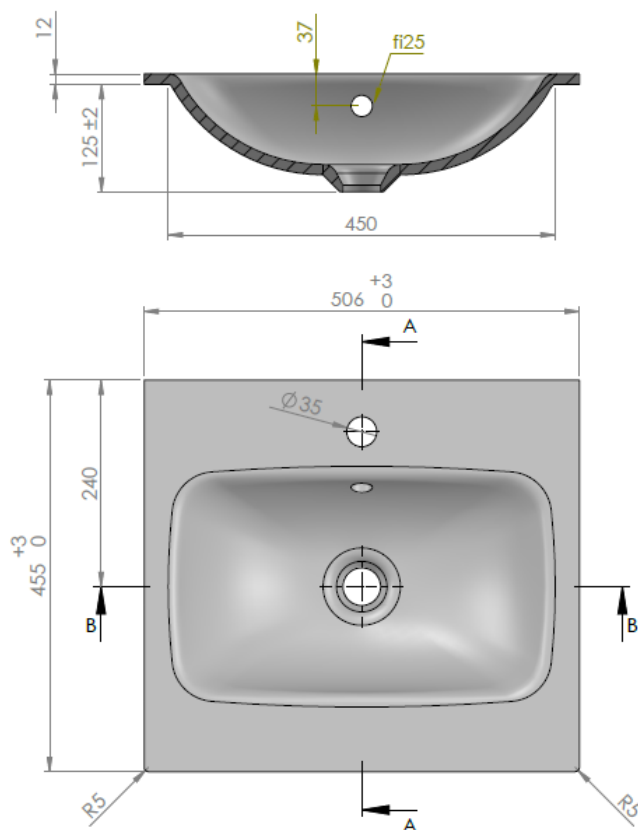


GLIDE II 500mm Glass Basin



TECHNICAL DATA		SPECIFICATION
CODE No	GL0510SIW+ No tap hole GL0511SIW+ Single Tap Hole	Furniture basin EN 31/EN 14688 – CL 0
Compatible with:	GL5000Dxx+	Dimensions w 506 x d 455 x h 12mm
Recommended use	Domestic, hotel, residential	Tested in accordance with EN 14688:2009, 4.3
Material	Low Iron Soda Lime Silicate Glass EN572-9:2005	Maximum water Temperature 70°C
Standards	EN 14688 – CL 0 EN31	
Required Fitting:	Universal Basin Waste BSW0260C-PRO0260X	
Colour	Gloss finish Ice White	
Specification	1 centre tap hole or no tap hole Over flow, including chrome overflow cover	
Fixing	Furniture carcass only	
Weight	10kg	
Warranty	10 years	



Sizes detailed could have a variation of about +/- 5 % due to the changes to material characteristics during the firing processes. Exact measurements for individual installations can only be taken from the finished basin.