

PRODUCT DATA SHEET



PRODUCT CODE
PROMODPUSH2701LBPF

RANGE

Module

DESCRIPTION

Module MRPO Push 2 Outlet Trimset with Handset Brushed Brass

WEBSITE LINK [Click Here](#)

CATEGORY	Brassware
WARRANTY DETAILS	15 Years
COLOUR	Brushed Brass
FINISH APPLICATION	PVD
PRIMARY MATERIAL	Zamac
SECONDARY MATERIAL	Plastic
INSTALL TYPE	Wall Mounted
PRODUCT WIDTH MM	70
PRODUCT HEIGHT MM	70
PRODUCT LENGTH MM	385
PRODUCT DEPTH MM	62
PRODUCT NET WEIGHT KG	2.2
MINIMUM PRESSURE (BAR)	1
MAX WORKING PRESSURE (BAR)	5

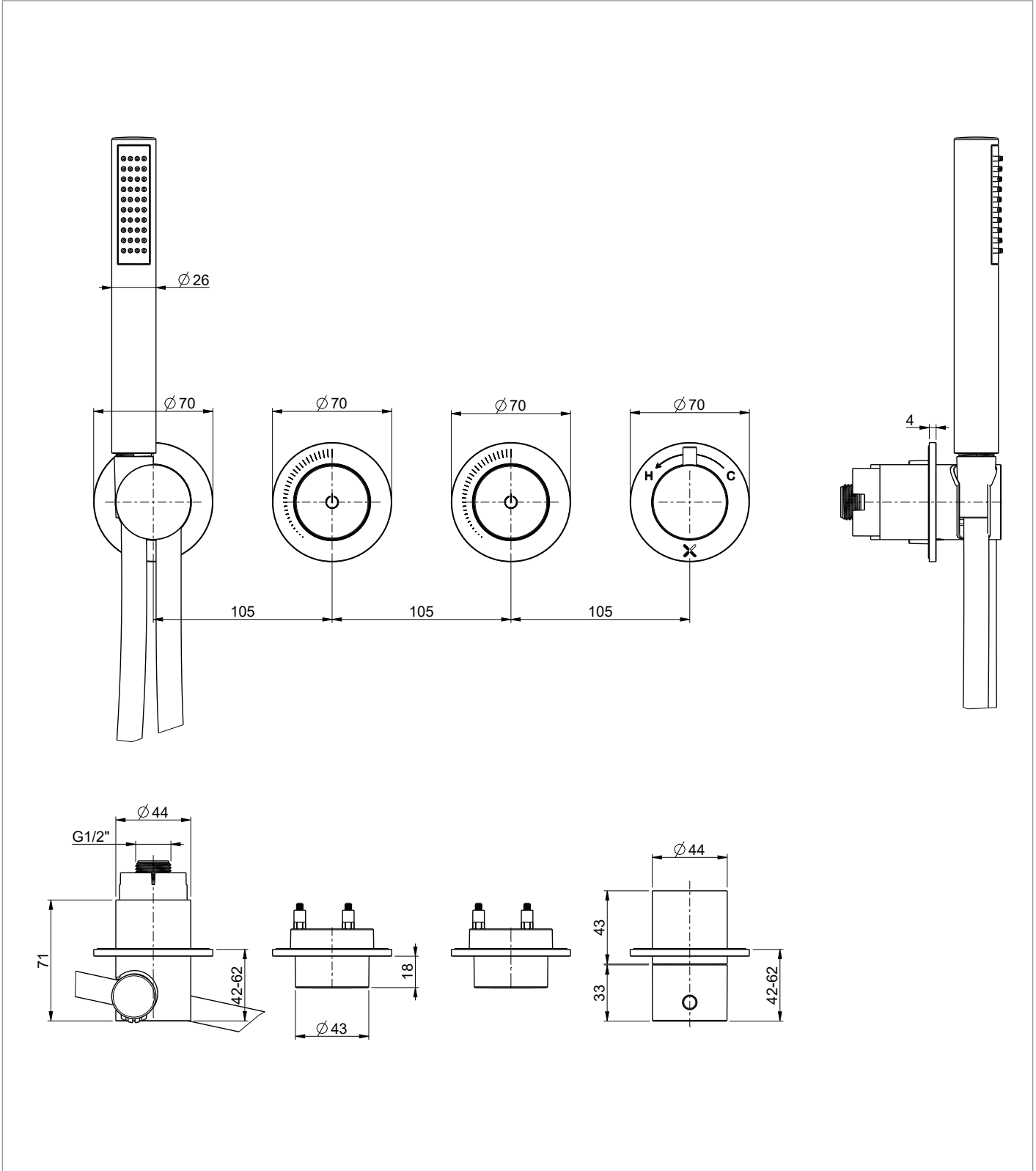
STANDARDS	NO
NUMBER OF FUNCTIONS	2
SWIVEL SPOUT	No
WASTE INCLUDED	No
ANTI-SCALD	No
ENERGY SAVING	No
SHOWER HOSE & HANDSET ARE INCLUDED	Yes

PRESSURE (BAR)	0.2	0.5	1	2	3	4	5
PRIMARY FLOWRATE							
HANDSET FLOWRATE			9.7	13.6	16.6	19.1	21.8
MASSAGE FLOW RATE							
AIR FLOW RATE							
WIRE FLOW RATE							
WATERFALL FLOW RATE							
MIST FLOW RATE							
HANDSPRAY FLOW RATE							

TECHNICAL DIMENSIONS

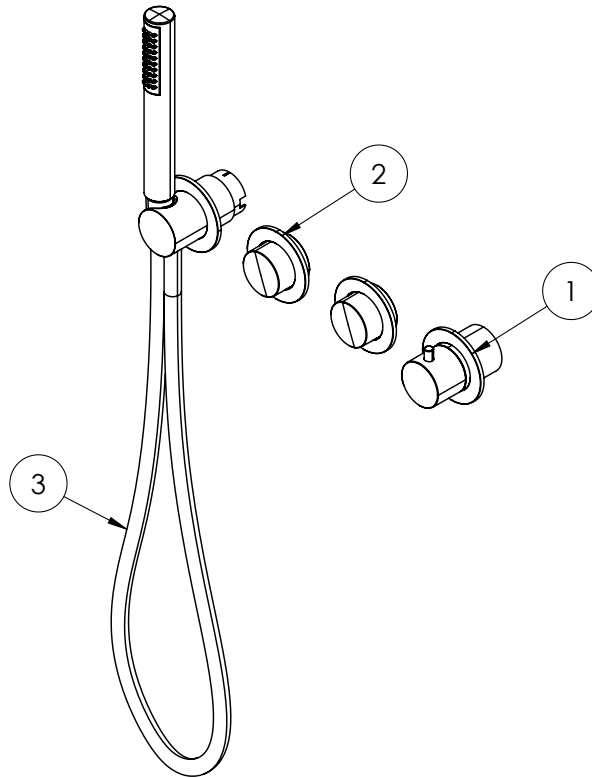
Dimensions in mm unless otherwise specified.

Tolerances (per material type) apply.



SPARES LIST

Only the parts labelled are available as spares.



NUMBER	PART CODE	DESCRIPTION
1	R005117137HESC	Thermostatic handle collar round plate Bronze Painted
	R005117021HESC	Thermostatic handle collar round plate Chrome
	R005117282HESC	Thermostatic handle collar round plate Brushed Brass
	R005117130HESC	Thermostatic handle collar round plate Matt Black
	R005117486HESC	Thermostatic handle collar round plate Slate
	R005117275HESC	Thermostatic handle collar round plate Stainless Steel
2	R005101137HESC	Push handle round plate Bronze
	R005101021HESC	Push handle round plate Chrome
	R005101282HESC	Push handle round plate Brushed Brass
	R005101130HESC	Push handle round plate Matt Black
	R005101486HESC	Push handle round plate Slate
	R005101275HESC	Push handle round plate Stainless Steel
3	C084089000G8HE	Module hose Bronze