

# PRODUCT DATA SHEET



**PRODUCT CODE**

SE8000DCO

**RANGE**

SVELTE

**DESCRIPTION**

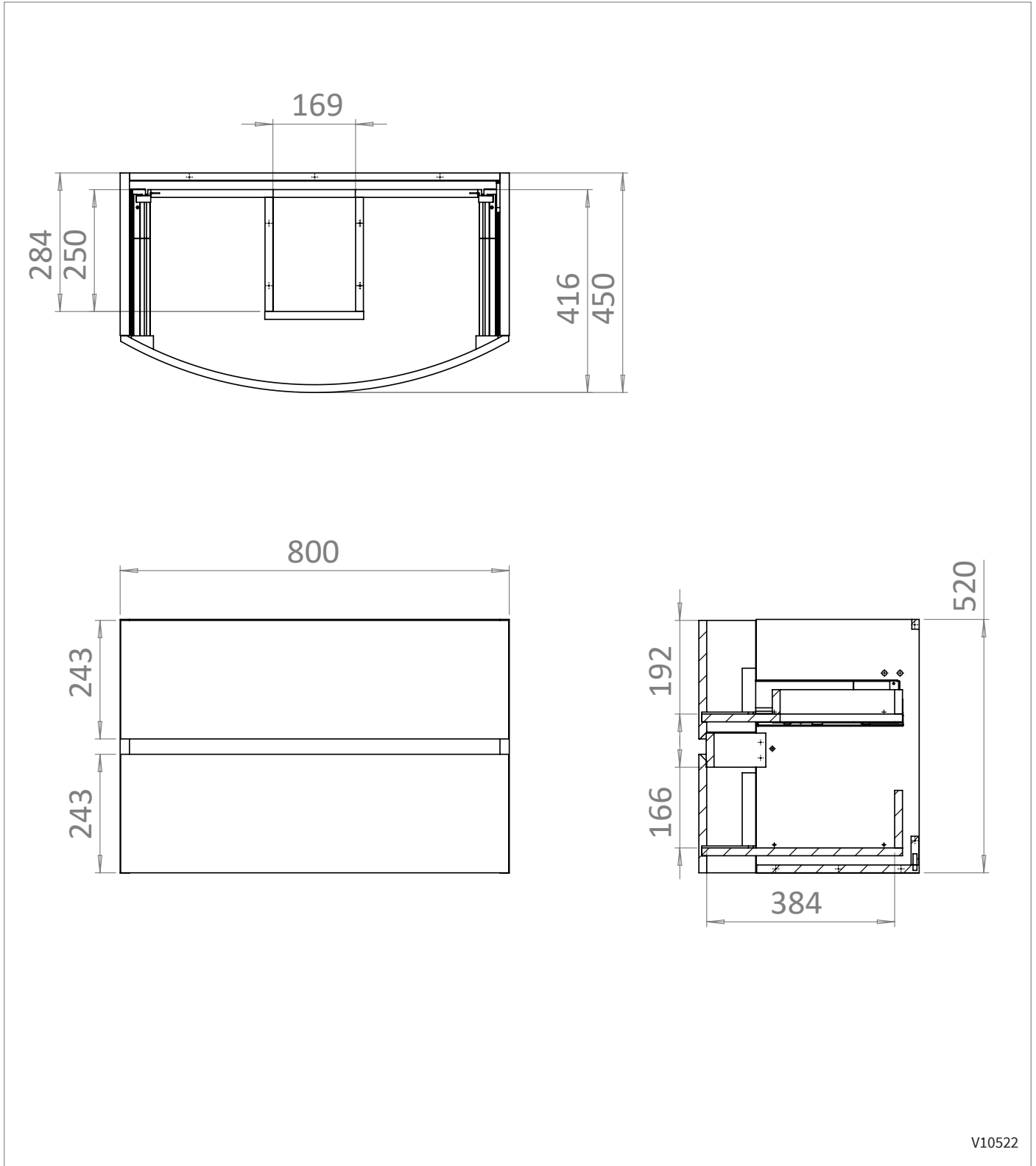
800mm Basin Unit Castilla Oak Veneer

<b>COLOUR</b>	Castilla Oak Veneer
<b>COLOUR CODE/ REFERENCE</b>	Crosswater Exclusive
<b>MATERIAL</b>	Real Wood Veneer 18mm MDF
<b>STANDARDS</b>	EN 13986 EN 14749
<b>INSTALLATION TYPE</b>	Wall-Mounted
<b>DRAWER BOX</b>	Textile Finish MFC Concealed Runners
<b>DRAWER RUNNERS</b>	BLUM Tandem Box - Soft Close Pull To Open
<b>DRAWER EXTENSION</b>	Full Extension
<b>DRAWER ADJUSTMENT</b>	3 Way
<b>DRAWER CAPACITY</b>	30kg
<b>WALL HANGERS</b>	CAMAR With Safety Lock - Factory Fitted 120kg Load Capacity On A Solid Wall 3 Way Adjustment
<b>WEIGHT</b>	18kg
<b>WARRANTY</b>	10 Years

## TECHNICAL DIMENSIONS

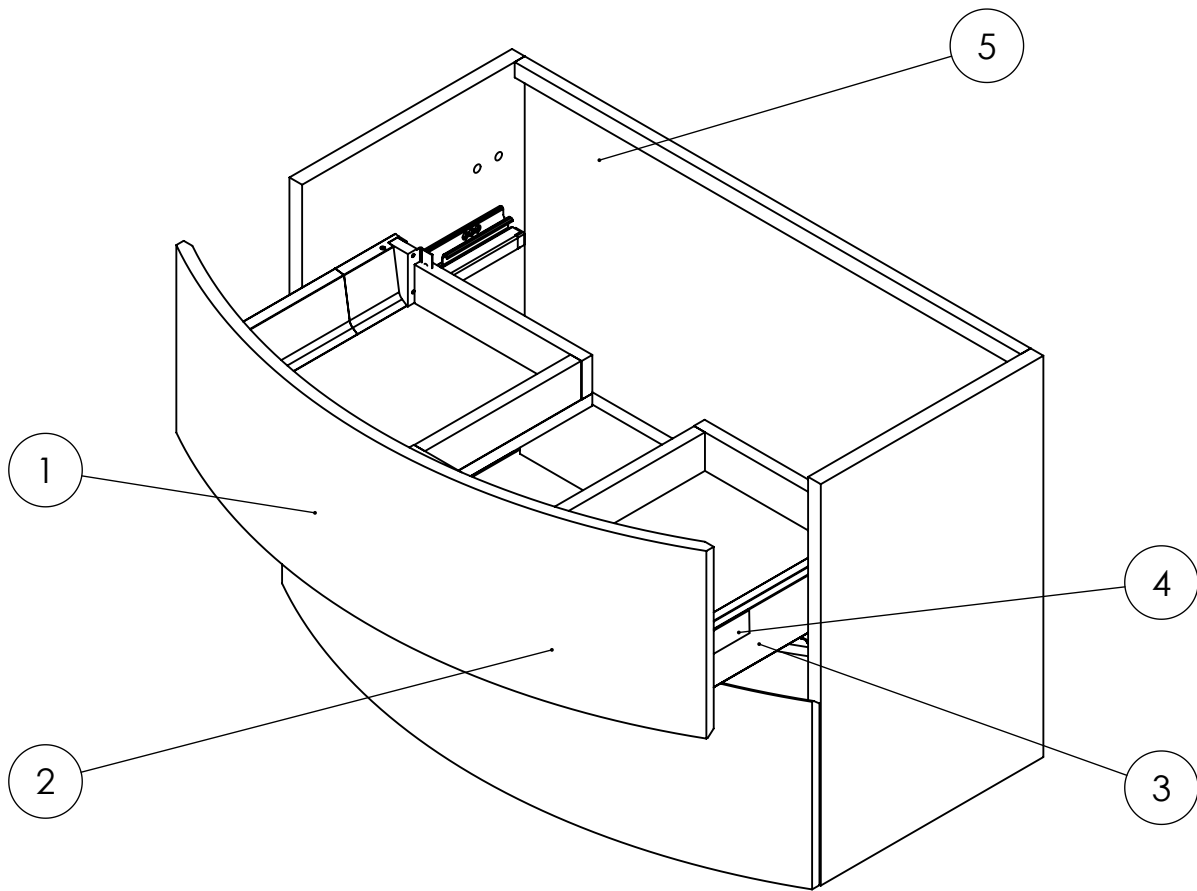
Dimensions in mm unless otherwise specified.

Tolerances (per material type) apply.



V10522

## SPARES DIAGRAM



Only the parts labelled are available as spares.

V10522

## SPARES DIAGRAM

NUMBER	PART CODE	DESCRIPTION
1	TDF_80SEDGA	Top Drawer Front from SE8000DGA
	TDF_80SEDSG	Top Drawer Front from SE8000DSG
	TDF_80SEDWG	Top Drawer Front from SE8000DWG
	TDF_80SEDAW	Top Drawer Front from SE8000DAW
	TDF_80SEDOB+	Top Drawer Front from SE8000DOB
	TDF_80SDCO+	Top Drawer Front from SE8000SDCO+
2	BDF_80SEDGA	Bottom Drawer Front from SE8000DGA
	BDF_80SEDSG	Bottom Drawer Front from SE8000DSG
	BDF_80SEDWG	Bottom Drawer Front from SE8000DWG
	BDF_80SEDAW	Bottom Drawer Front from SE8000DAW
	BDF_80SEDOB+	Bottom Drawer Front from SE8000DOB
	BDF_80SDCO+	Bottom Drawer Front from SE8000SDCO+
3	RUNNERS_SVELTE	Drawer Runners from the Svelte Furniture
4	SECLIPS	Svelte Drawer Covers x4
5	WB897ASZ16070	Wall Bracket x2

We recommend purchasing the top and bottom drawer fronts for the following codes to ensure the continuity of the naturally formed veneer pattern:

American Walnut

Castilla Oak

Grey Ash

Only the parts labelled are available as spares.

V10522