

PRODUCT DATA SHEET



PRODUCT CODE

LU5570

RANGE

CABINET

DESCRIPTION

Lustro LED Cabinet Single Door

550mm x 700mm

COLOUR Mirror Glass

MATERIAL Glass & Aluminium

HANDLING/INSTALLATION Wall Mounting

LED WATTAGE 3.2W

DRIVER WATTAGE 6W

TEMPERATURE CHANGING COLOUR RANGE (K) Yes
2700 - 6400

LUMINOUS EFFICACY (LM/W) 95

COLOUR RENDERING INDEX (RA) 85

CHARGING SOCKET (MA) 10000

ENERGY RATING F

SWITCH TYPE IR Sensor

IP RATING 44

NUMBER OF DOORS 1

SHELF QUANTITY 3
SHELVES ADJUSTABLE Yes

DIMMABLE No

SHAVER SOCKET INCLUDED Yes

LIGHT TYPE LED

CABLE LENGTH 1050mm

STANDARDS EN60598 EN60592 EN62493

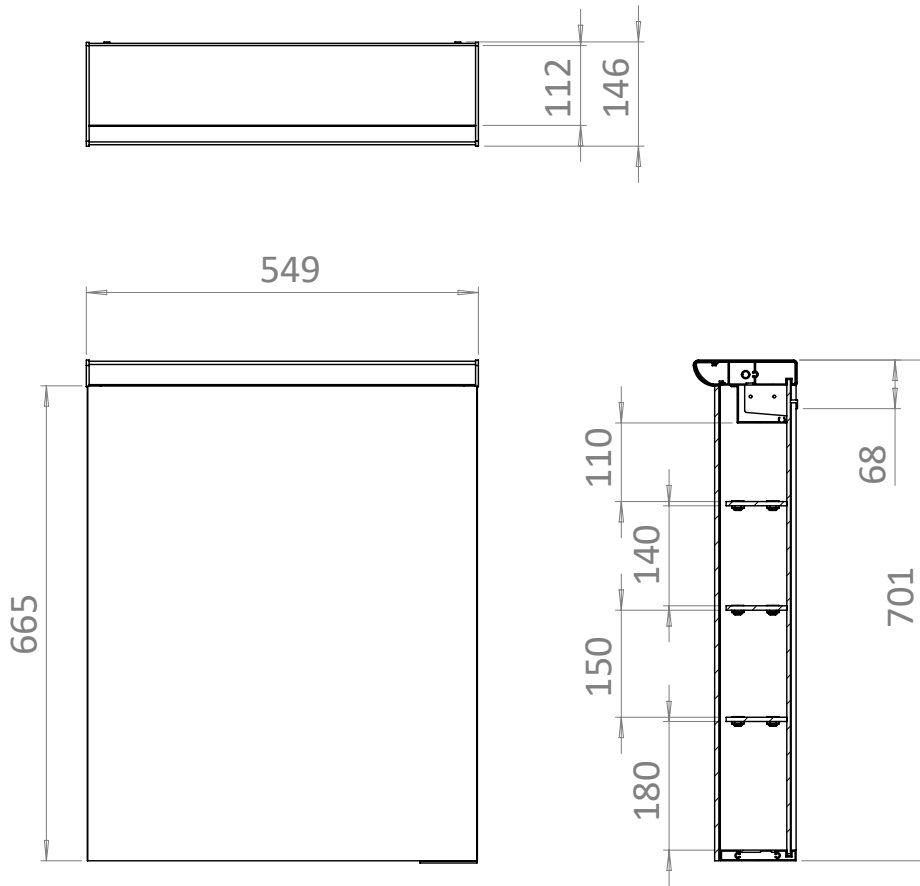
DOP CLASS 01 - 2017

WARRANTY 5 Years

TECHNICAL DIMENSIONS

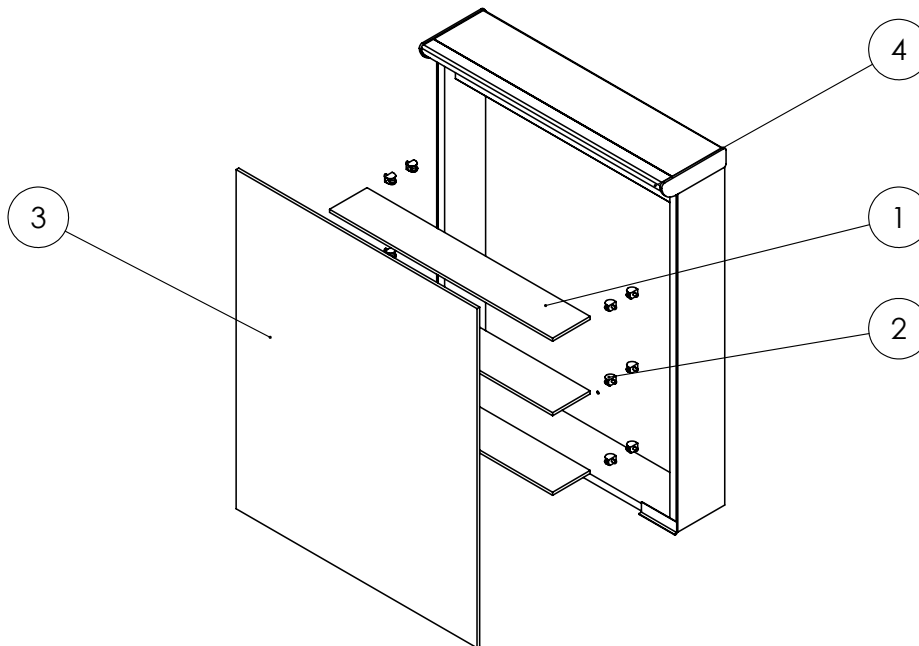
Dimensions in mm unless otherwise specified.

Tolerances (per material type) apply.



V10522

SPARES DIAGRAM



NUMBER	PART CODE	DESCRIPTION
	MIRRORFIX	Fixing screw pack for keyhole mirror fixing
1	LU-55SHELF	Glass Shelf x1 for LU5570
2	LU-SHELFSET	Glass Shelf Supports x12 LU Cab
	LU-FIXKIT	Install Kit for LU Cabinets
3	LU-55DOOR	Mirror Door for LU5570
	LU-HANDLE	Handle for LU Cabinets
4	LU-55PLEX	Acrylic for LU5570
	LU-55LED	LED Strip for LU5570

V10522