

# PRODUCT DATA SHEET



## PRODUCT CODE

VE040C

## RANGE

Velo

## DESCRIPTION

Velo Tray Soap Dispenser & Tumbler Holder Chrome

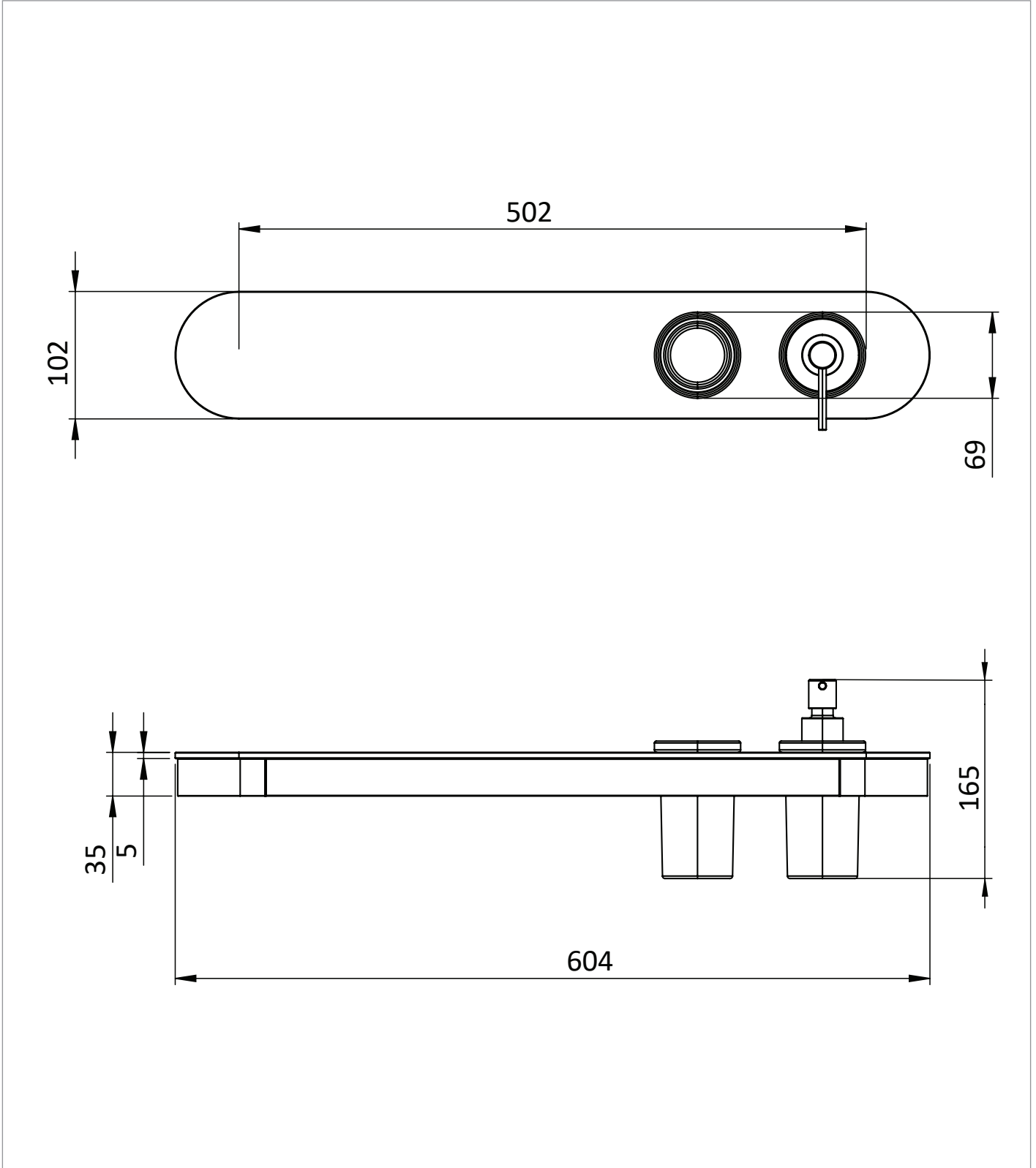
WEBSITE LINK [Click Here](#)

CATEGORY	Accessories
WARRANTY DETAILS	15 Years
COLOUR	Chrome
FINISH APPLICATION	Electroplated
PRIMARY MATERIAL	Brass
INSTALL TYPE	Wall Mounted
PRODUCT WIDTH MM	604
PRODUCT HEIGHT MM	165
PRODUCT DEPTH MM	102
PRODUCT NET WEIGHT KG	0.98

## TECHNICAL DIMENSIONS

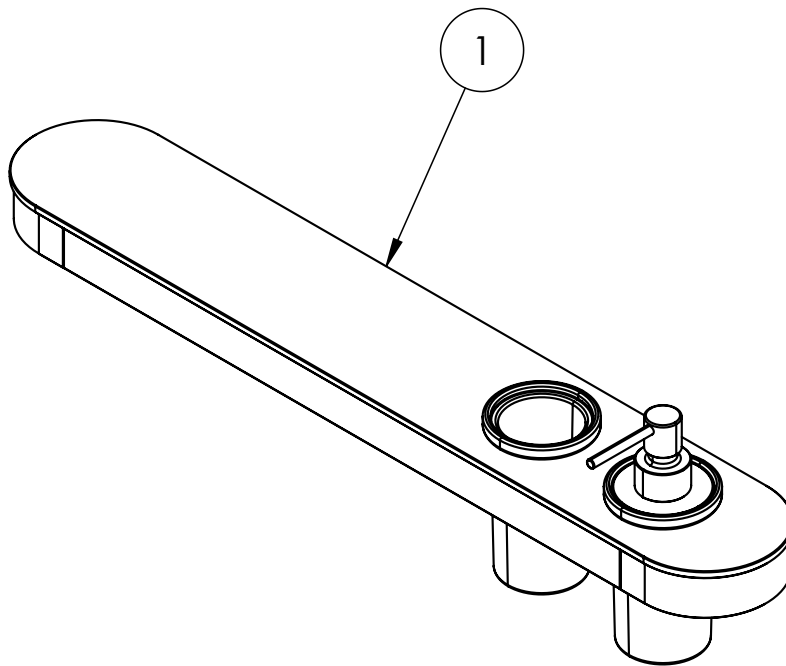
Dimensions in mm unless otherwise specified.

Tolerances (per material type) apply.



## SPARES LIST

Only the parts labelled are available as spares.



NUMBER	PART CODE	DESCRIPTION
1	7019044_142	Velo Shelf 600mm