

PRODUCT DATA SHEET



PRODUCT CODE

FO135DNC

RANGE

Foile

DESCRIPTION

Foile Basin 3H Set Deck Mounted
Chrome

WEBSITE LINK [Click Here](#)

CATEGORY	Brassware
WARRANTY DETAILS	15 Years
COLOUR	Chrome
FINISH APPLICATION	Electroplated
PRIMARY MATERIAL	Brass
INSTALL TYPE	Basin Mounted
PRODUCT HEIGHT MM	154
PRODUCT DEPTH MM	203
PRODUCT NET WEIGHT KG	2.5
STANDARDS	BS EN 200:2008

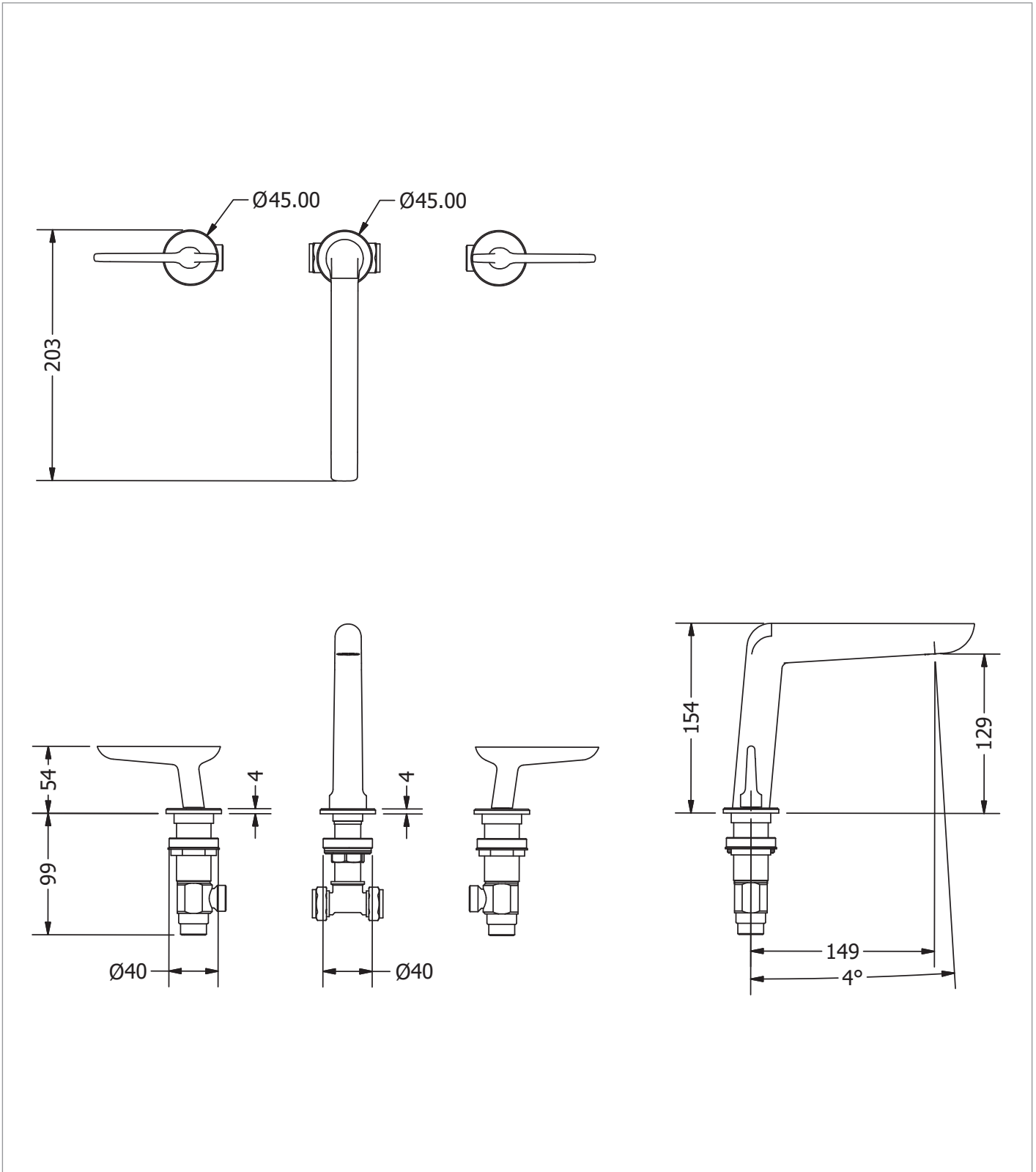
MINIMUM PRESSURE (BAR)	1
MAX WORKING PRESSURE (BAR)	5
HEADWORK	1/2" Quarter turn ceramic cartridge
SPOUT PROJECTION	148
SWIVEL SPOUT	No
INLET CONNECTIONS THREAD	G1/2"
FLOW REGULATOR	Cache M16x1
WASTE INCLUDED	No
ANTI-SCALD	No
ENERGY SAVING	No
SHOWER HOSE & HANDSET ARE INCLUDED	No

PRESSURE (BAR)	0.2	0.5	1	2	3	4	5
PRIMARY FLOWRATE			3.9	4.8	5	5	5
HANDSET FLOWRATE							
MESSAGE FLOW RATE							
AIR FLOW RATE							
WIRE FLOW RATE							
WATERFALL FLOW RATE							
MIST FLOW RATE							
HANDSPRAY FLOW RATE							

TECHNICAL DIMENSIONS

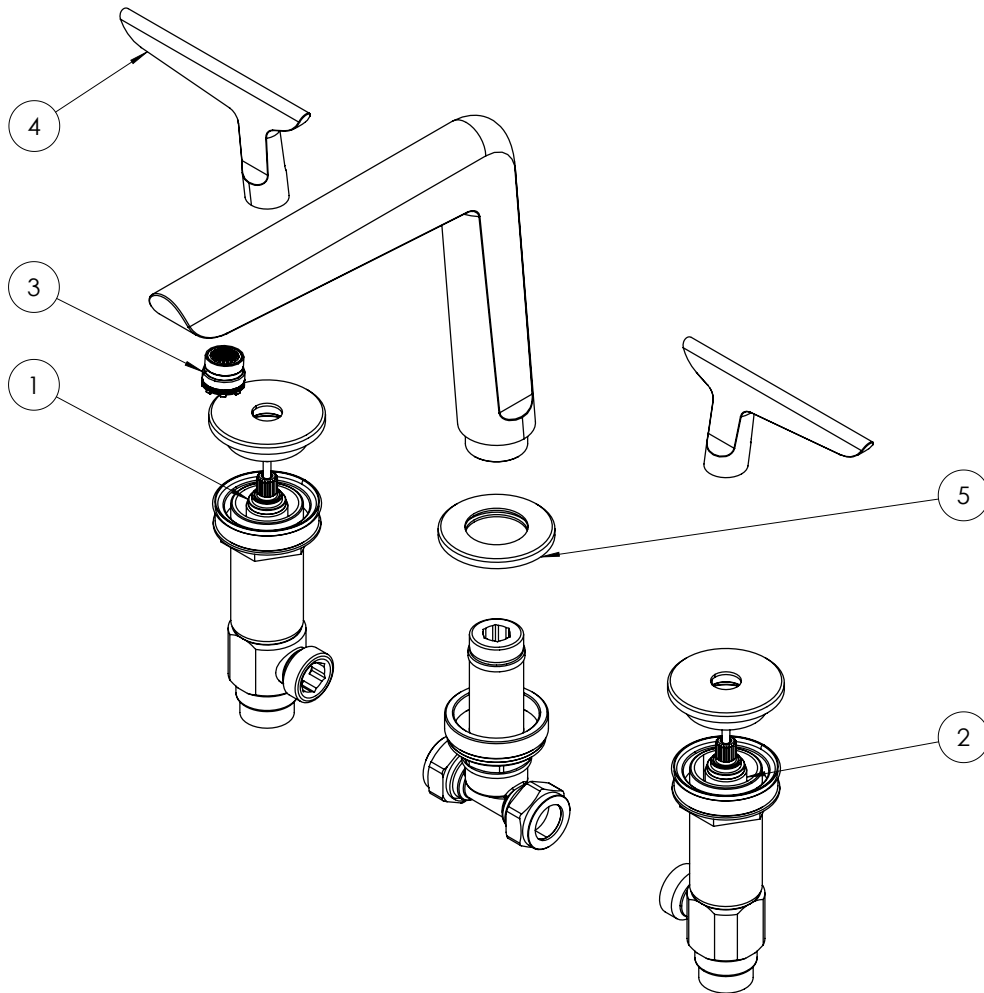
Dimensions in mm unless otherwise specified.

Tolerances (per material type) apply.



SPARES LIST

Only the parts labelled are available as spares.



NUMBER	PART CODE	DESCRIPTION
1	57FLSP002L	FO135 Cartridge Hot
2	57FLSP002R	FO135 Cartridge Cold
3	57FLSP003	FO110 FO120 FO130 FO135 Aerator
4	57FLSP009C	FO135 Handle Single Chrome
	57FLSP009F	FO135 Handle Single Brushed Brass
	57FLSP009M	FO135 Handle Single Matt Black
5	57FLSP011C	FO135 Spout Base Plate Chrome
	57FLSP011F	FO135 Spout Base Plate Brushed Brass
	57FLSP011M	FO135 Spout Base Plate Matt Black