

## Completion Concealed Box

### Mounting Instructions

Pressure range min/max 0,5/5 bar

(in case of water pressure higher than 5 bar we recommend installing pressure reducers).

Recommended pressure 3 bar.

Operation:

Either with gas or electric accumulation boilers.

Centralised systems.

---

Safety lock at: 41° C

Min. Working temperature: 3° C

Min. recommended: 15° C

Max. Working temperature: 70° C

Max. recommended: 65° C

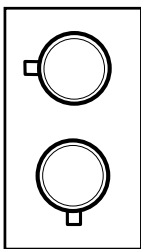
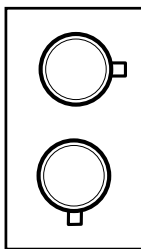
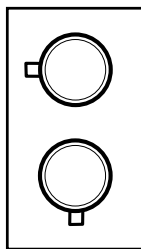
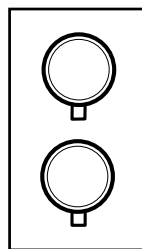
Recommended thermal differential 50° C

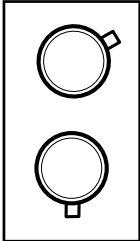
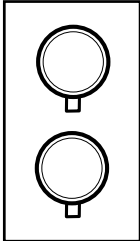
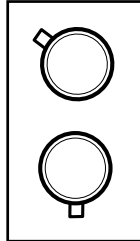
Thermal disinfection is allowed.

Safety system with flow stop in case of lack of one of the two waters.

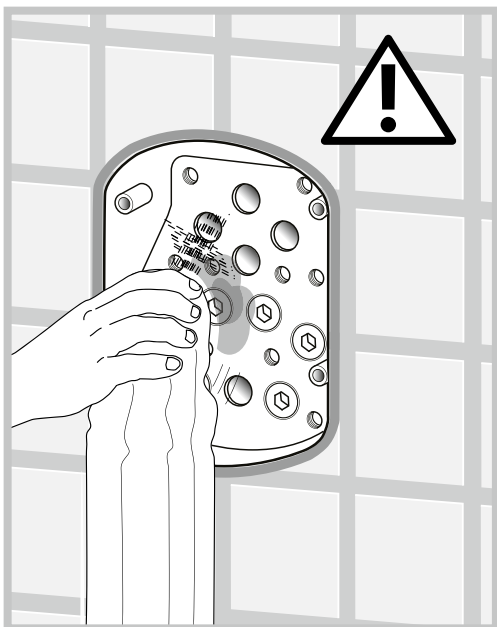
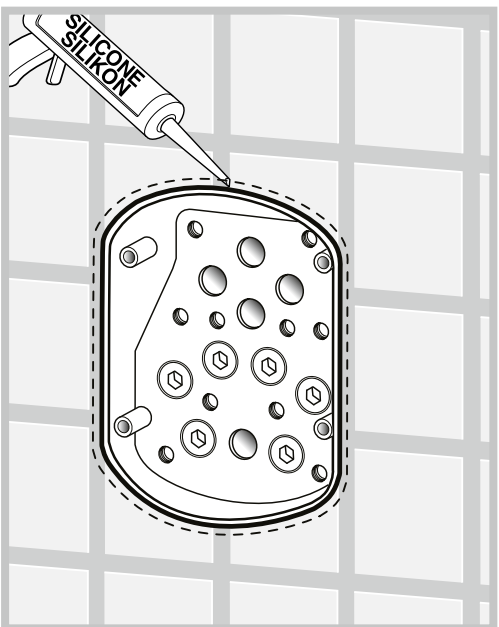
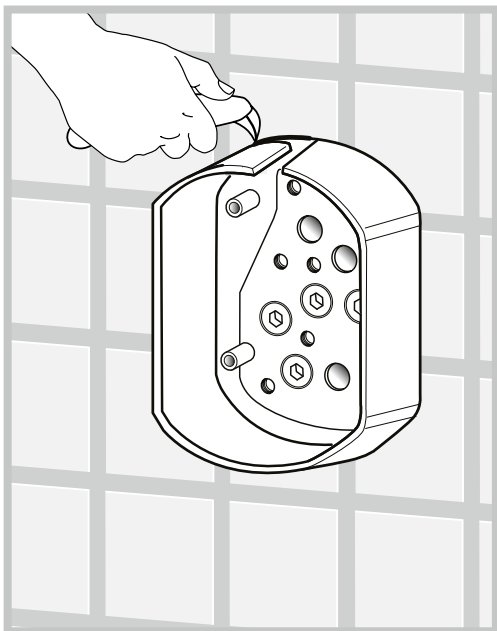
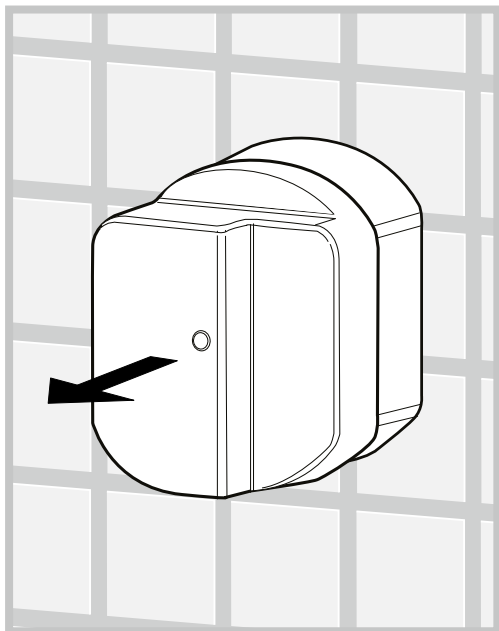
---

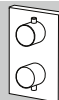
***Warning: contact the plumber for the choice of the best water heating device.***

| Press. | FLOW RATE ( L/min )   |   |   |  |
|--------|---|---|---|--|
|        | Term. 1 way   | Term. 2 way   |   |  |
|        |  |  |  |  |
| bar    | Exit 1/2/3  | Exit 2  | Exit 3  | Mix  |
| 0,5    | 8,2   | 8,2   | 8,2   | 9,2  |
| 1      | 11,7  | 11,7  | 11,7  | 13,2   |
| 2      | 16,7  | 16,4  | 16,4  | 18,7   |
| 3      | 20,7  | 20  | 20  | 22,9   |
| 4      | 24  | 23  | 23  | 26,4   |
| 5      | 26,6  | 25,8  | 25,8  | 29,5   |

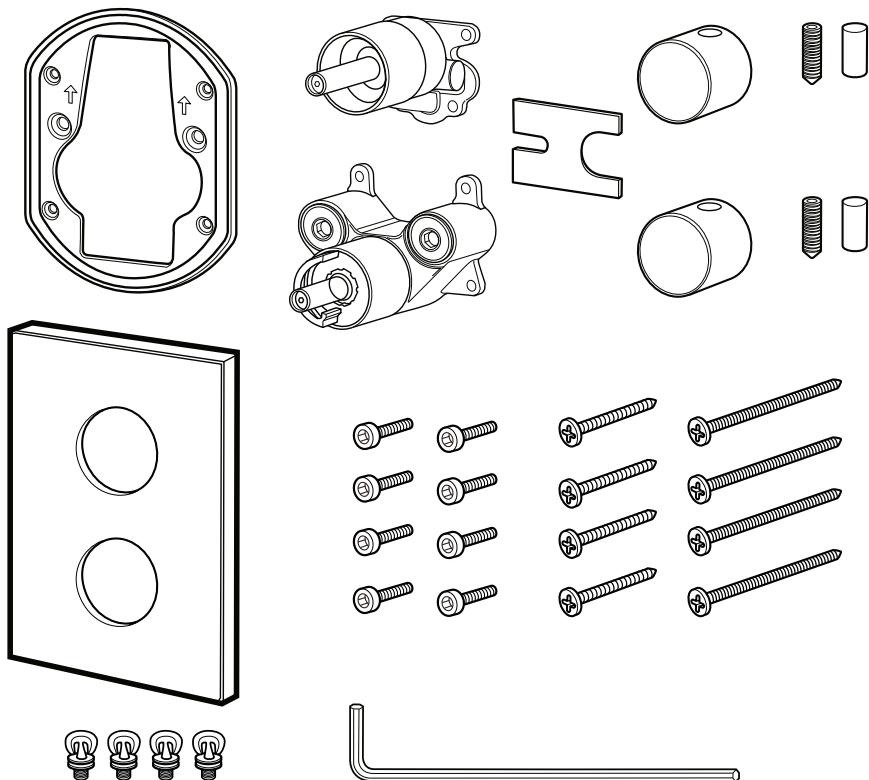
| Press. | FLOW RATE ( L/min )   |   |   |
|--------|---|---|---|
|        | Term. 3 ways  |   |   |
|        |  |  |  |
| bar    | Exit 1  | Exit 2  | Exit 3  |
| 0,5    | 9,4   | 8,1   | 8,1   |
| 1      | 13,4  | 11,6  | 11,6  |
| 2      | 19,2  | 16,6  | 16,6  |
| 3      | 23,7  | 20,5  | 20,5  |
| 4      | 27,4  | 23,8  | 23,8  |
| 5      | 30,5  | 26,6  | 26,6  |







THERMOSTATIC 1-2-3 WAYS

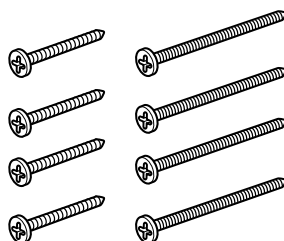
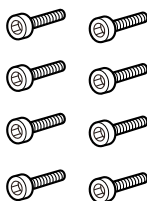
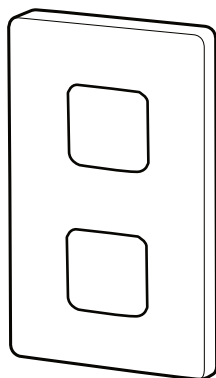
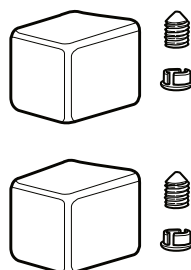
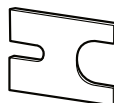
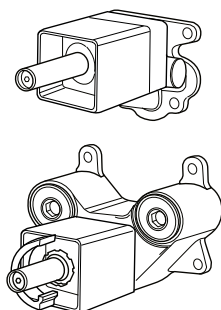
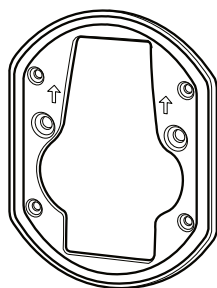


GB Mounting Instructions

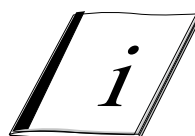




THERMOSTATIC 1-2-3 WAYS

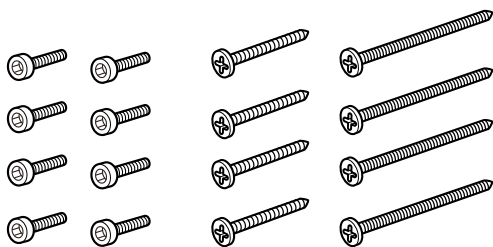
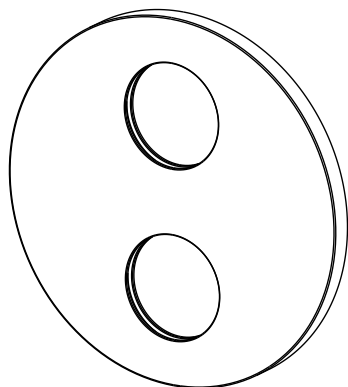
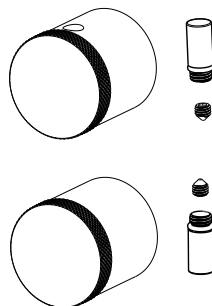
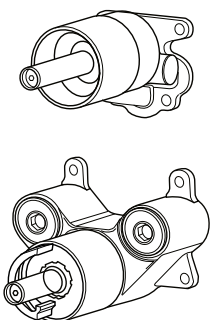
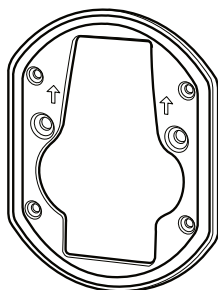


GB Mounting Instructions



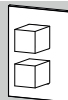


THERMOSTATIC 1-2-3 WAYS

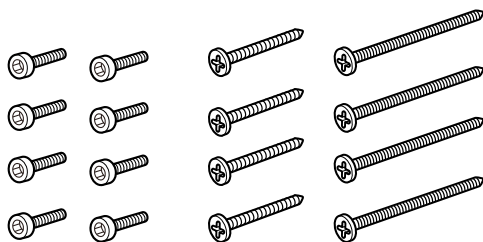
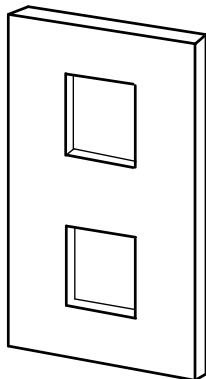
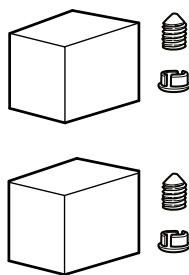
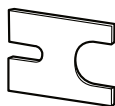
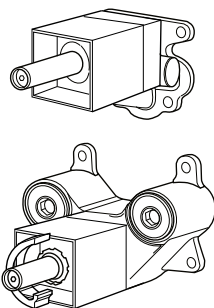
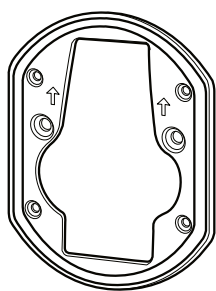


GB Mounting Instructions





THERMOSTATIC 1-2-3 WAYS

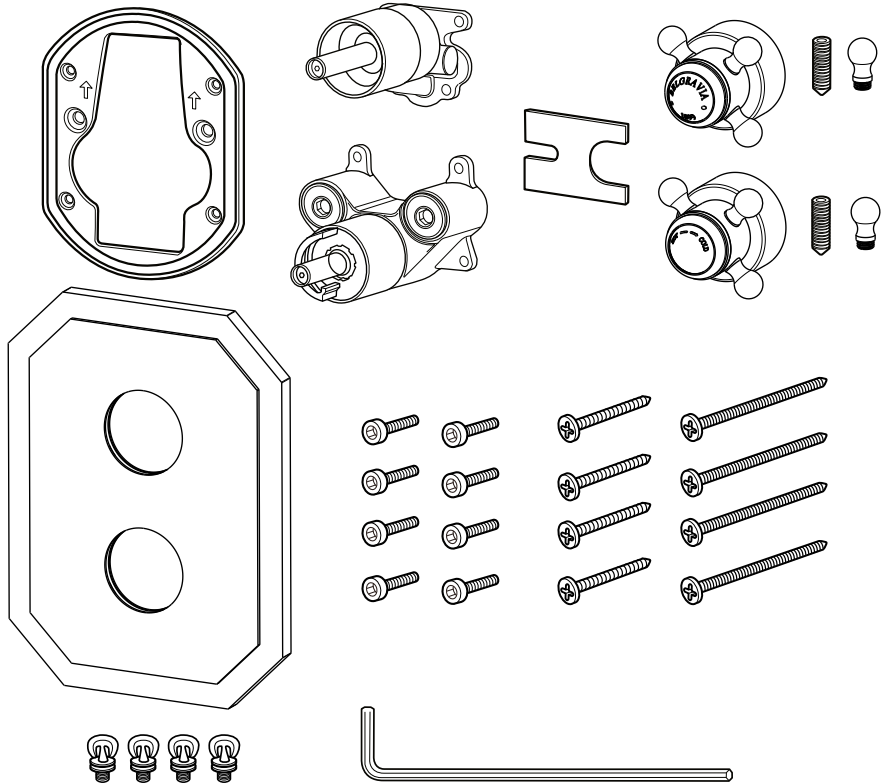


GB Mounting Instructions



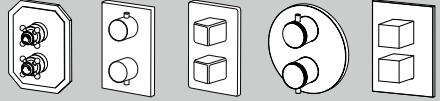


THERMOSTATIC 1-2-3 WAYS

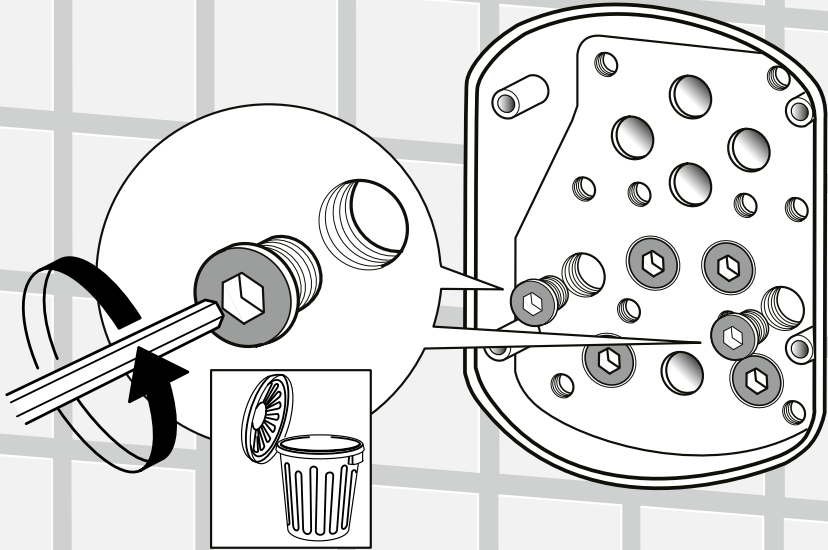


GB Mounting Instructions

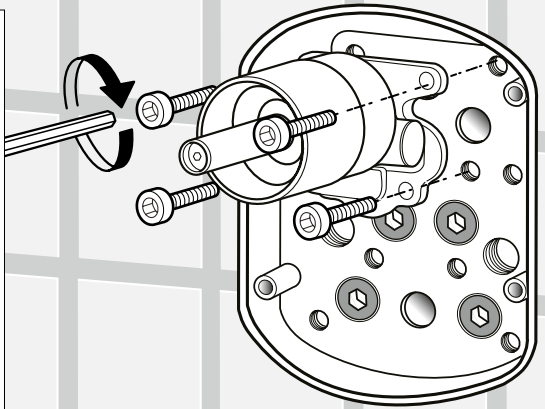
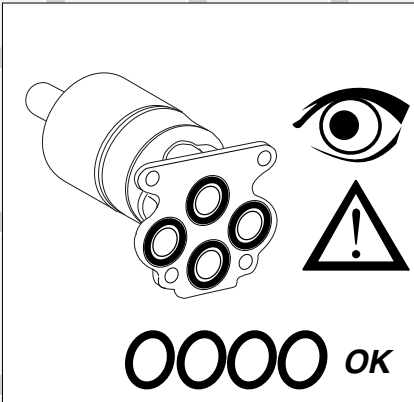


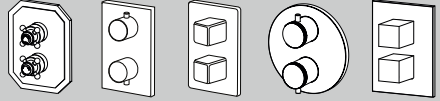


1

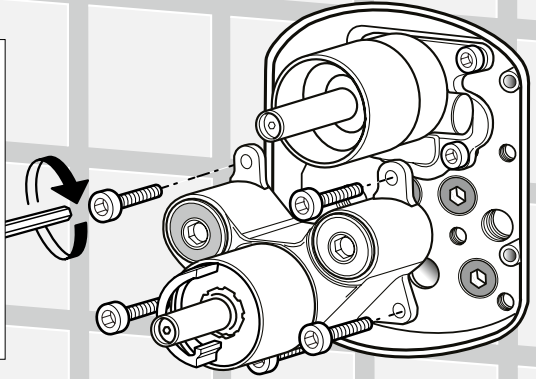
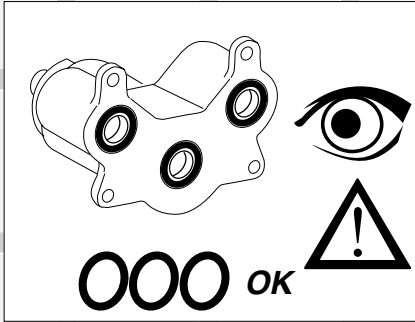


2

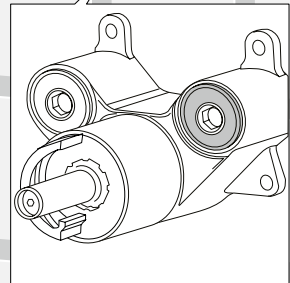
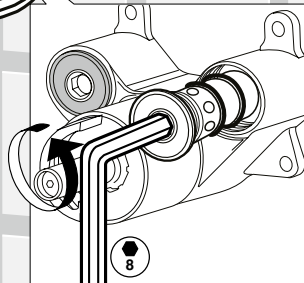
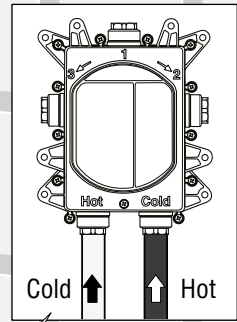
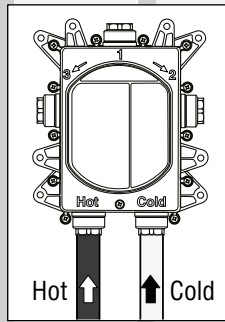
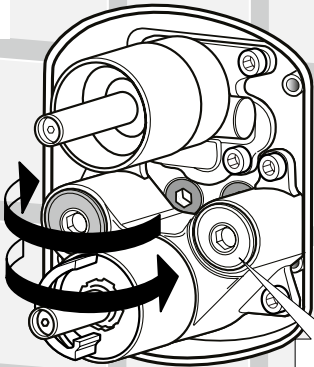




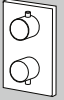
3



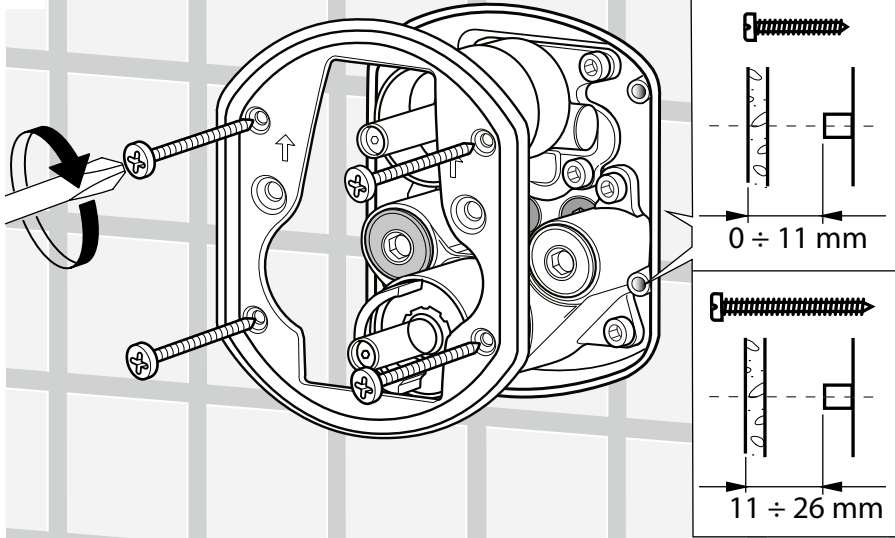
4



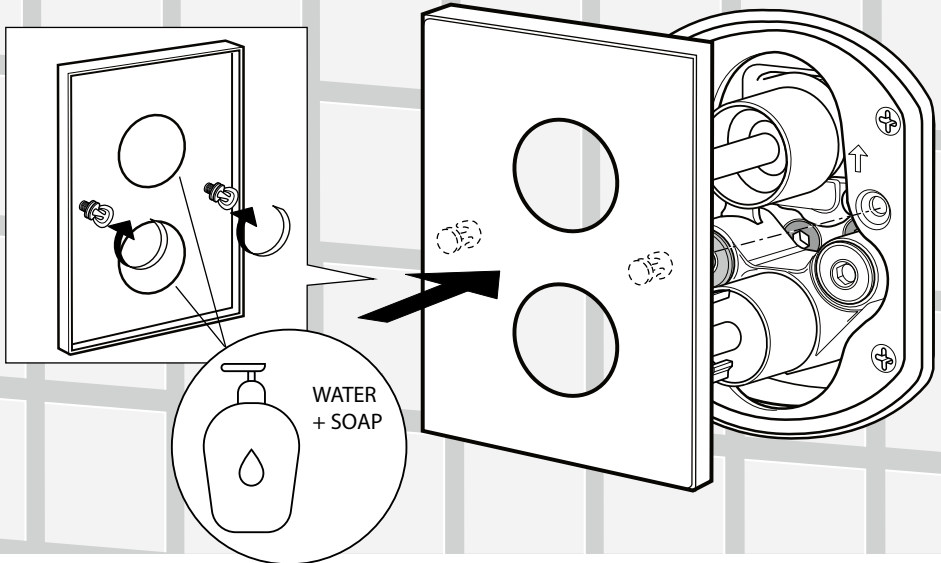


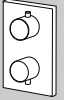


5

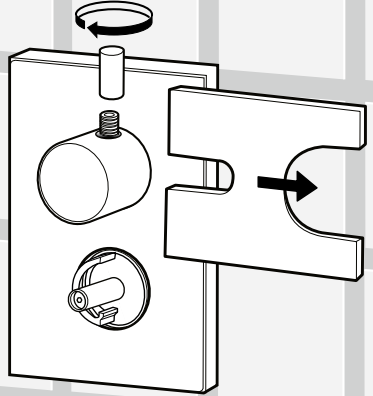
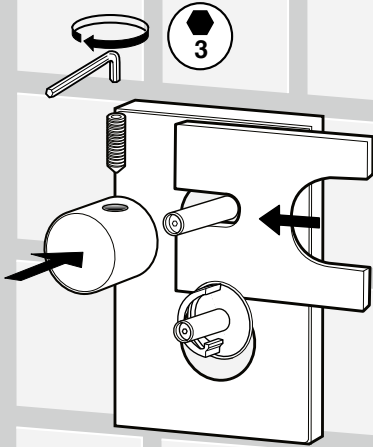


6A

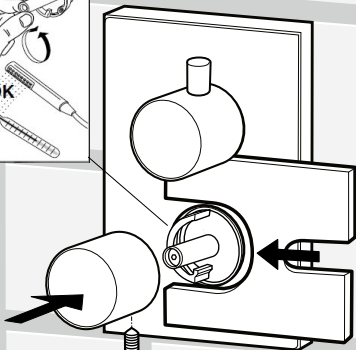




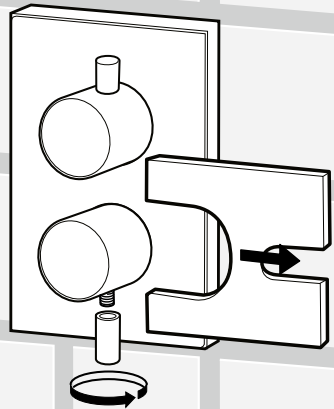
7A

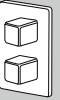


8A

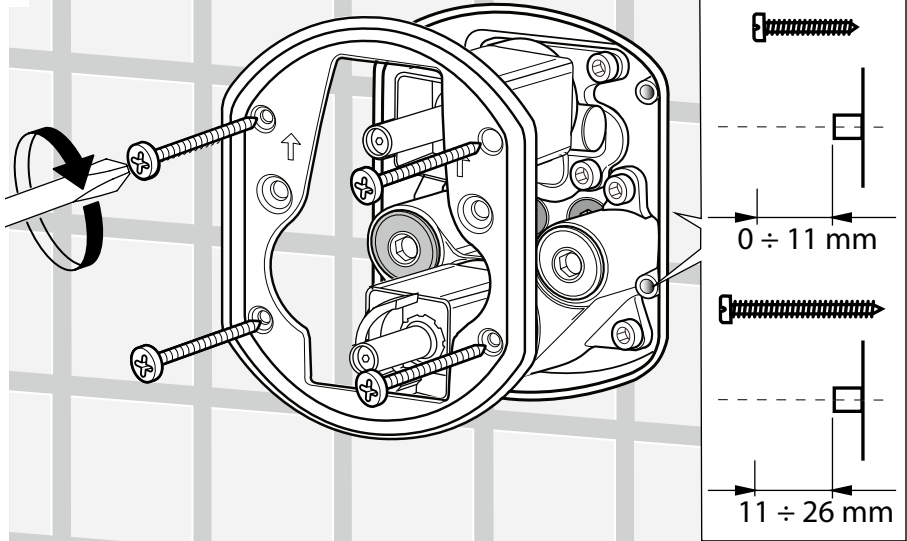


3

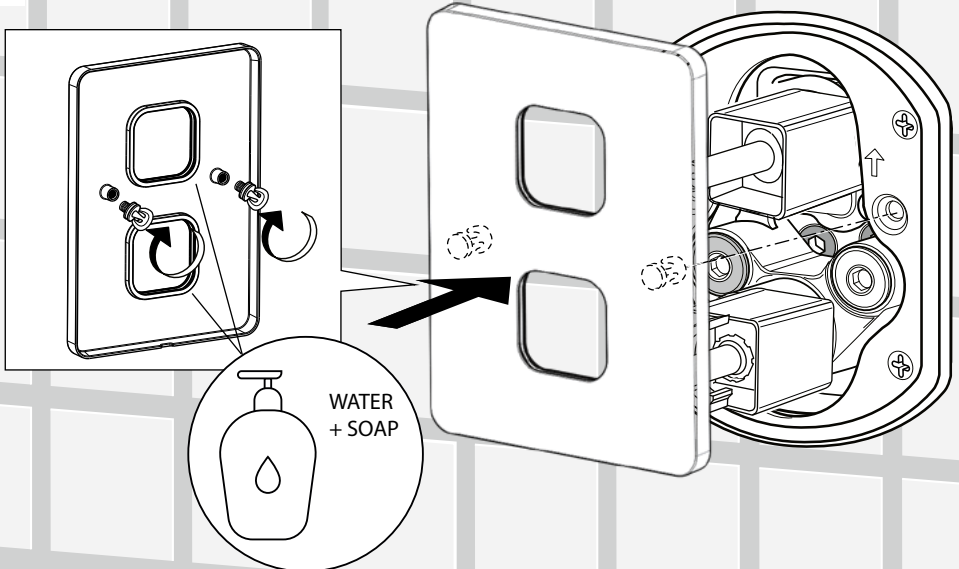


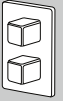


5

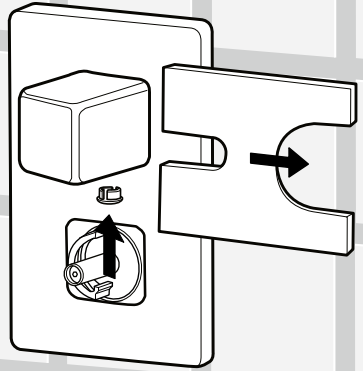
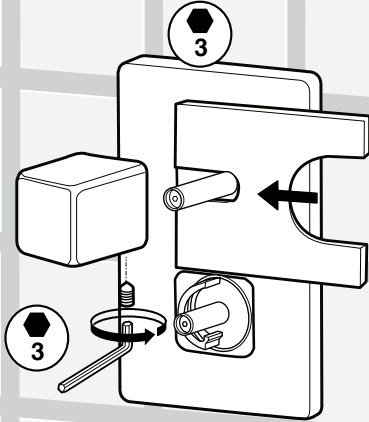


6B

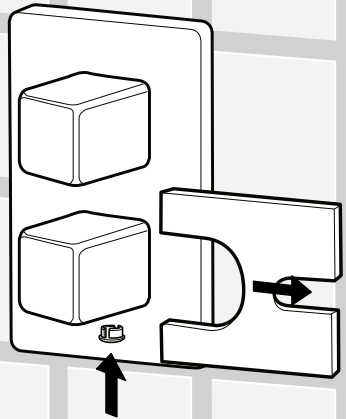
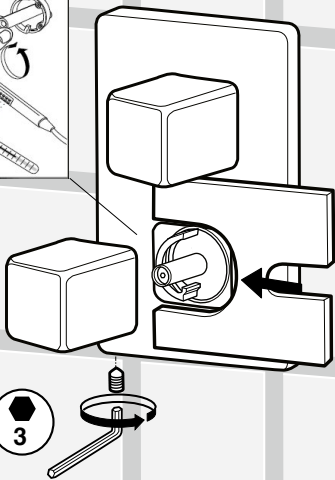




7B

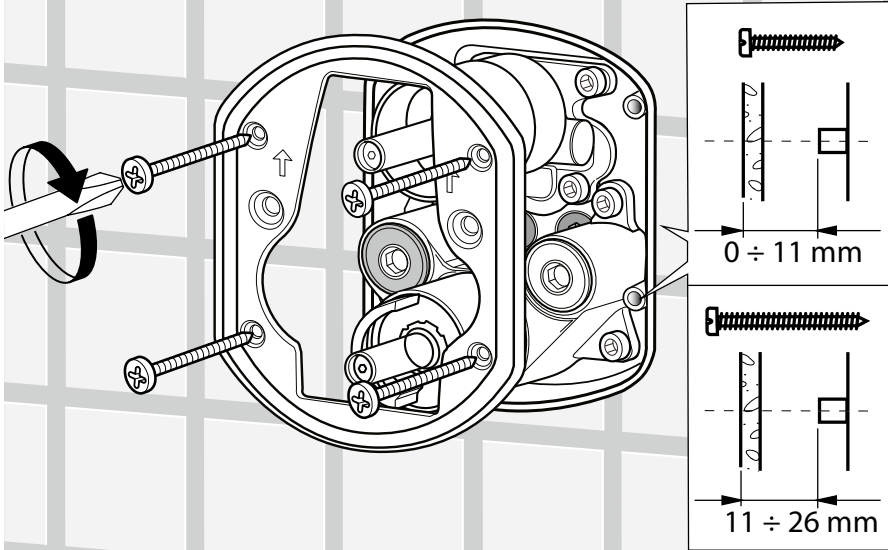


8B

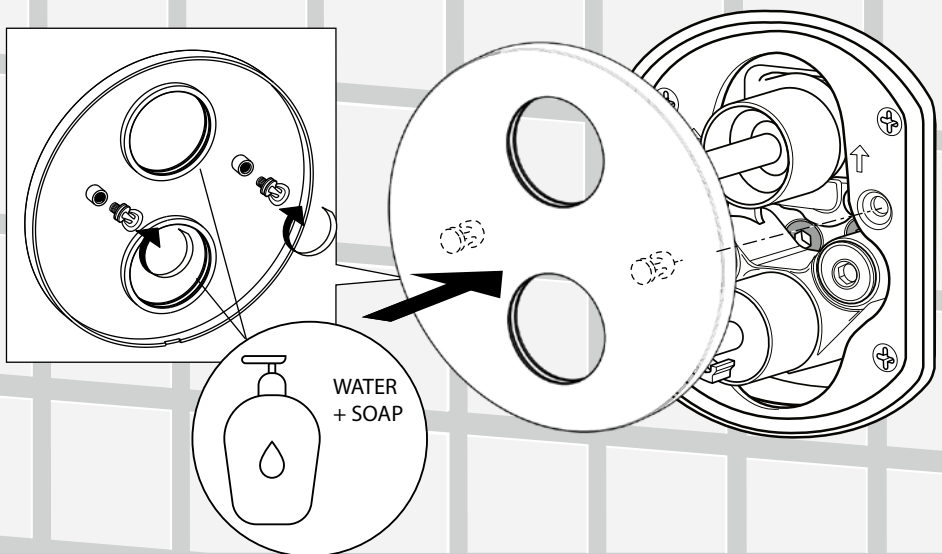




5

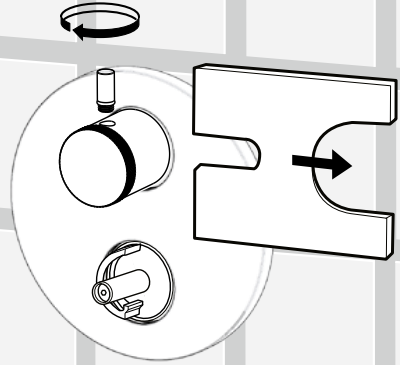
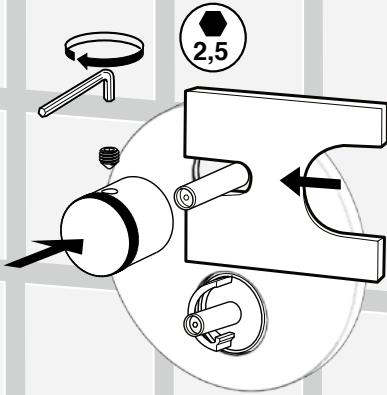


6C

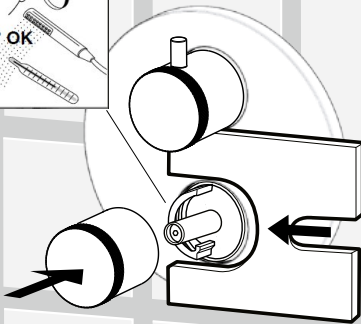




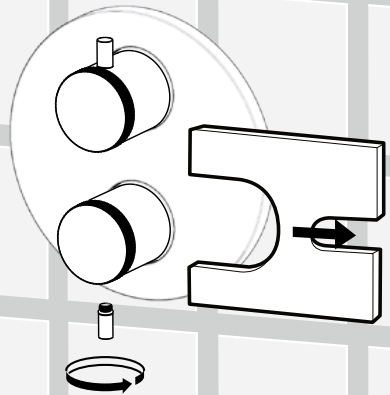
7C



8C

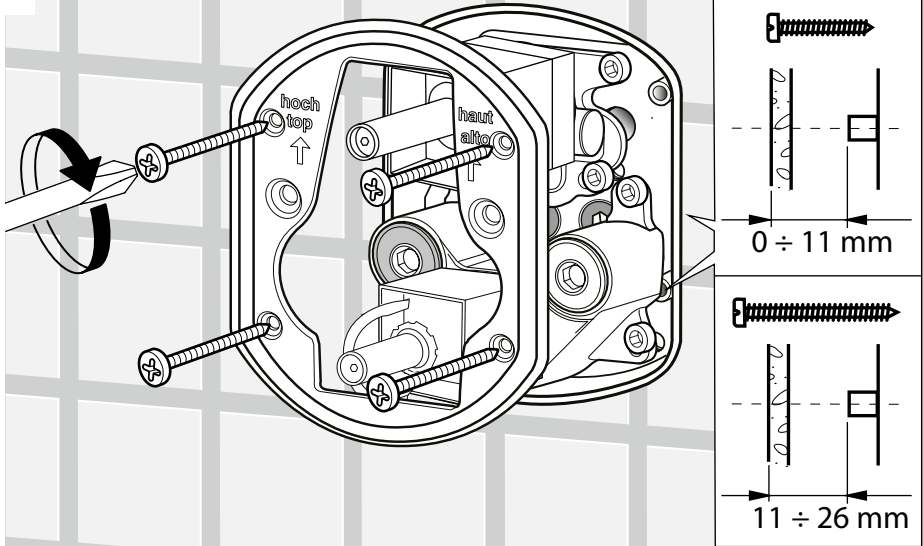


2,5

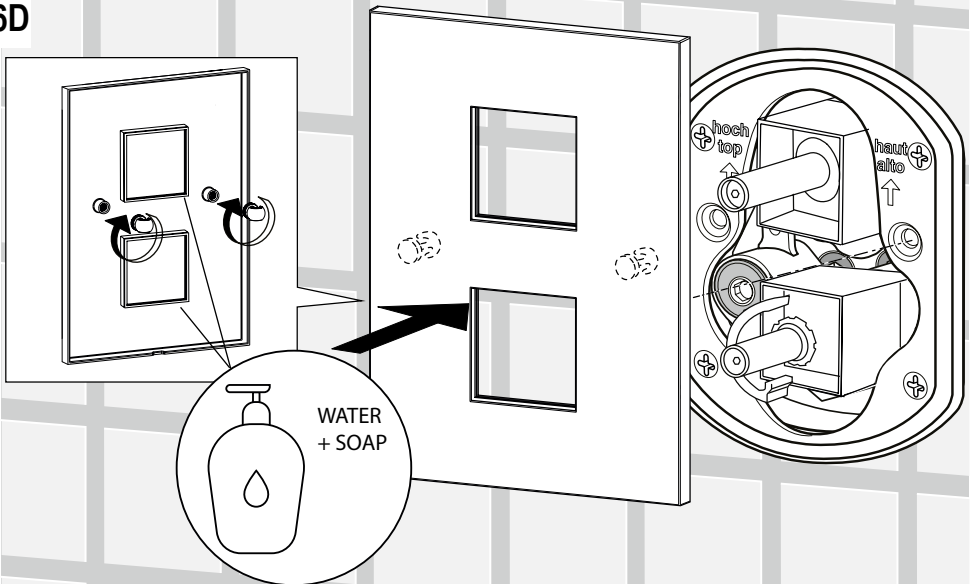


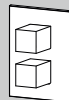


5

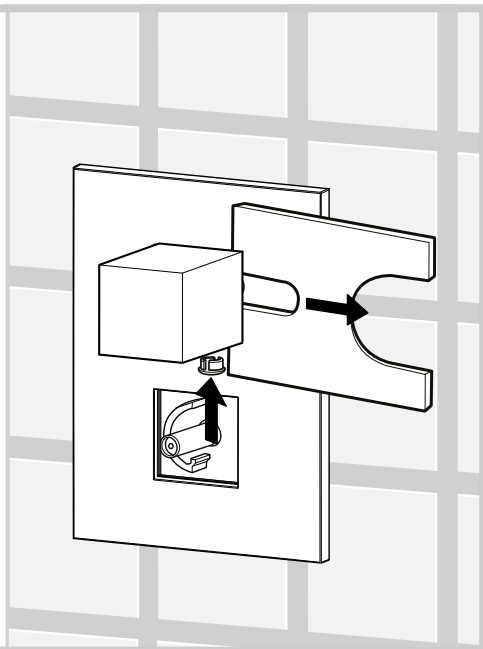
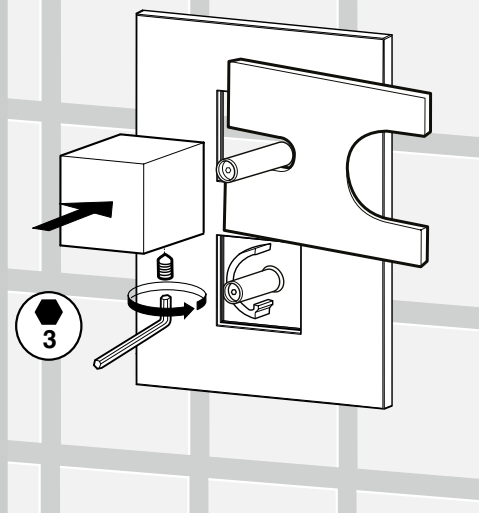


6D

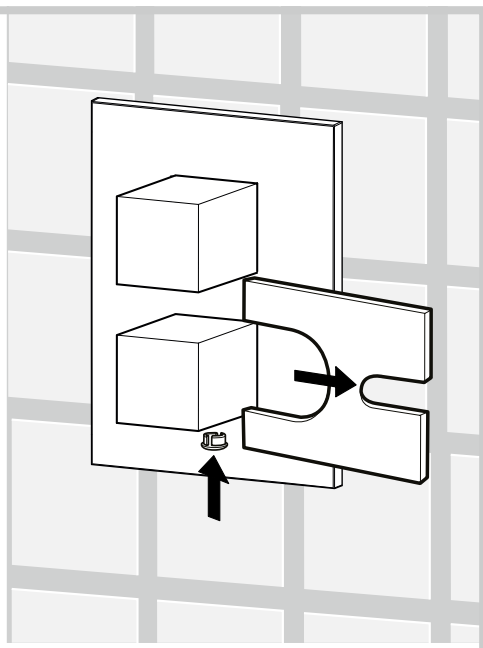
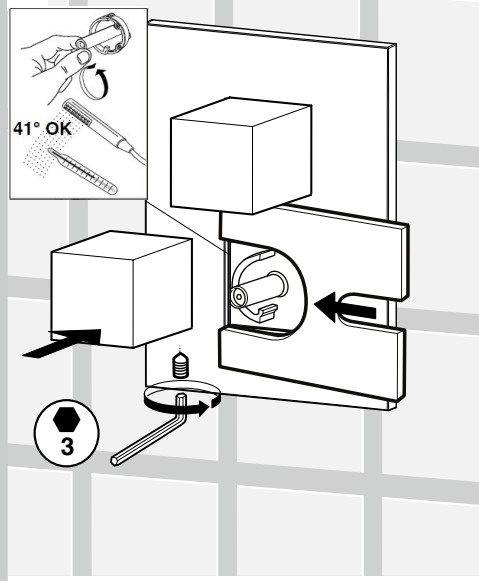




7D



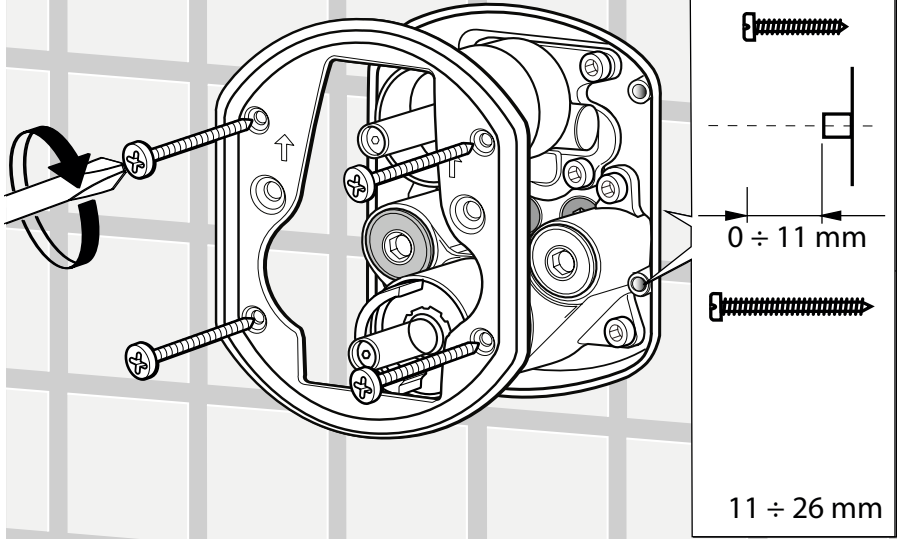
8D



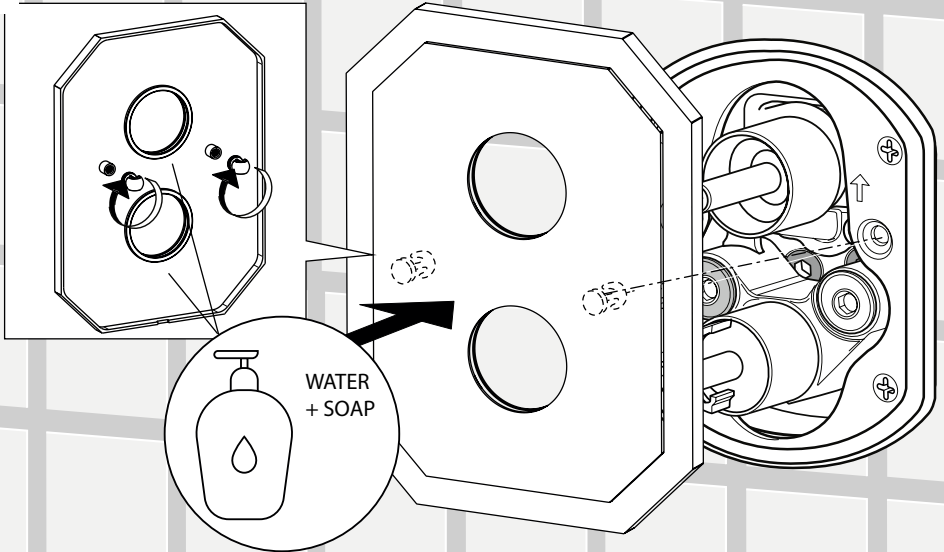




5

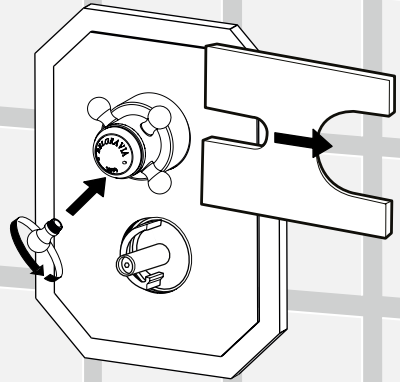
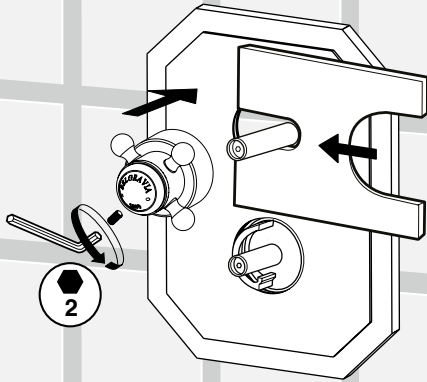


6E

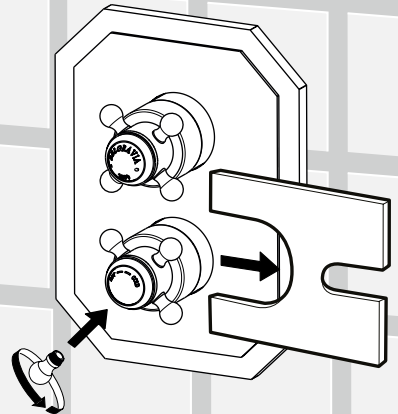
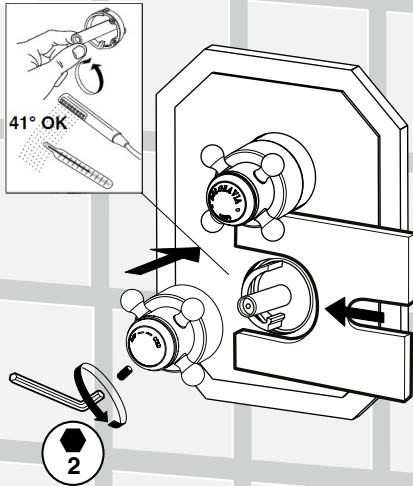


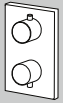


7E

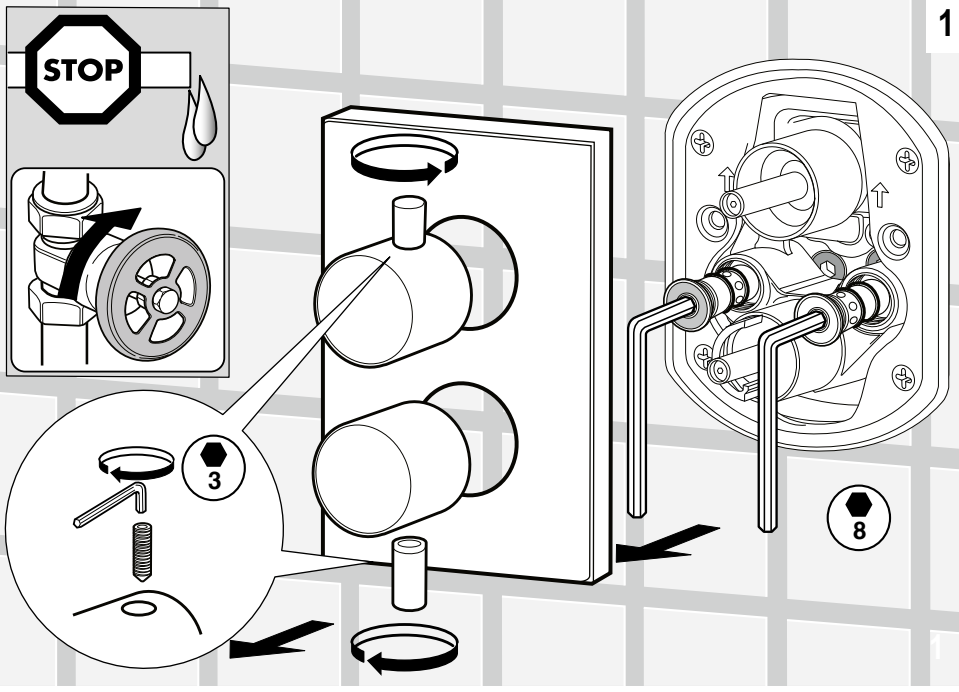


8E

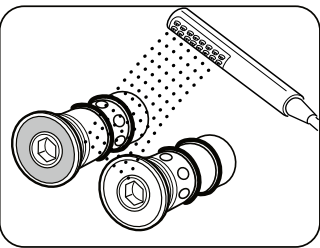
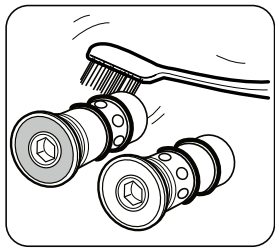
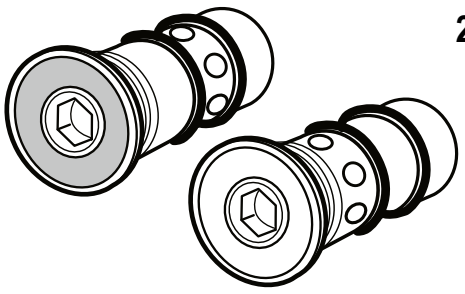
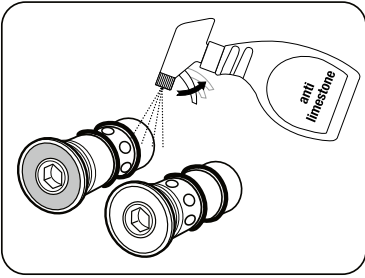


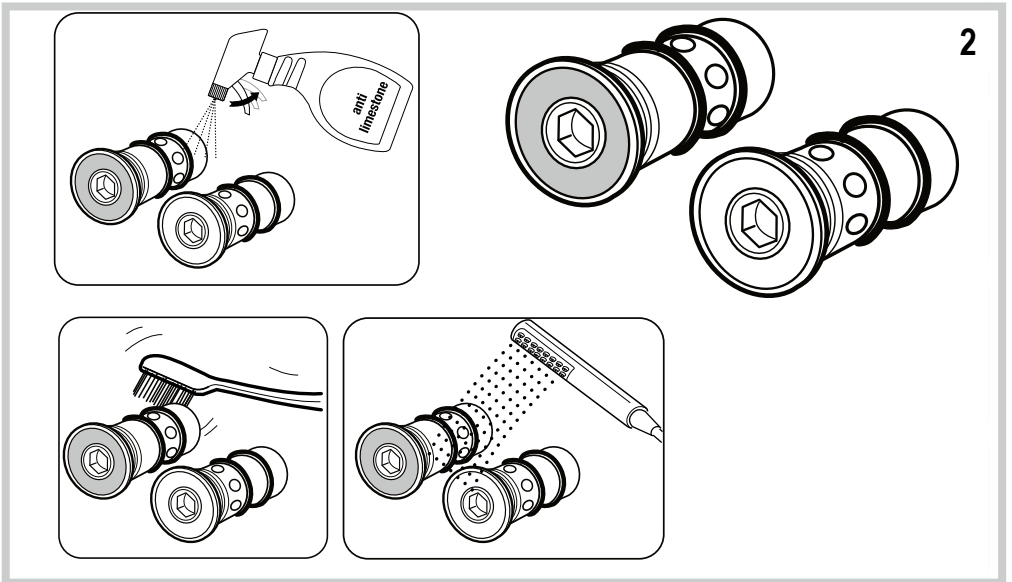
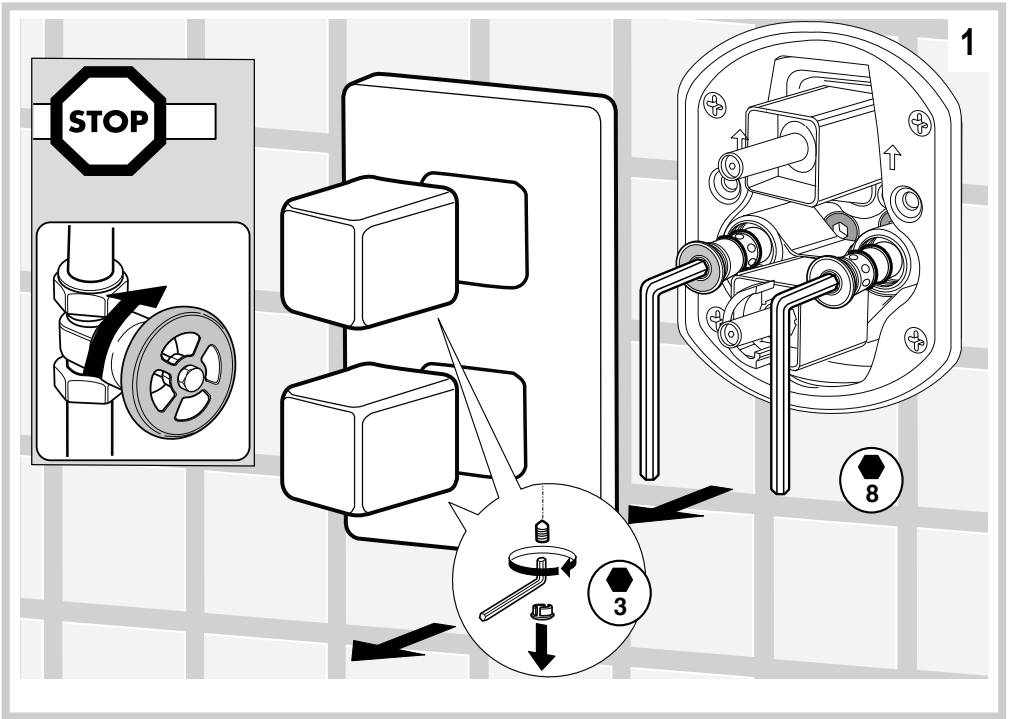
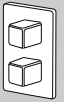


1



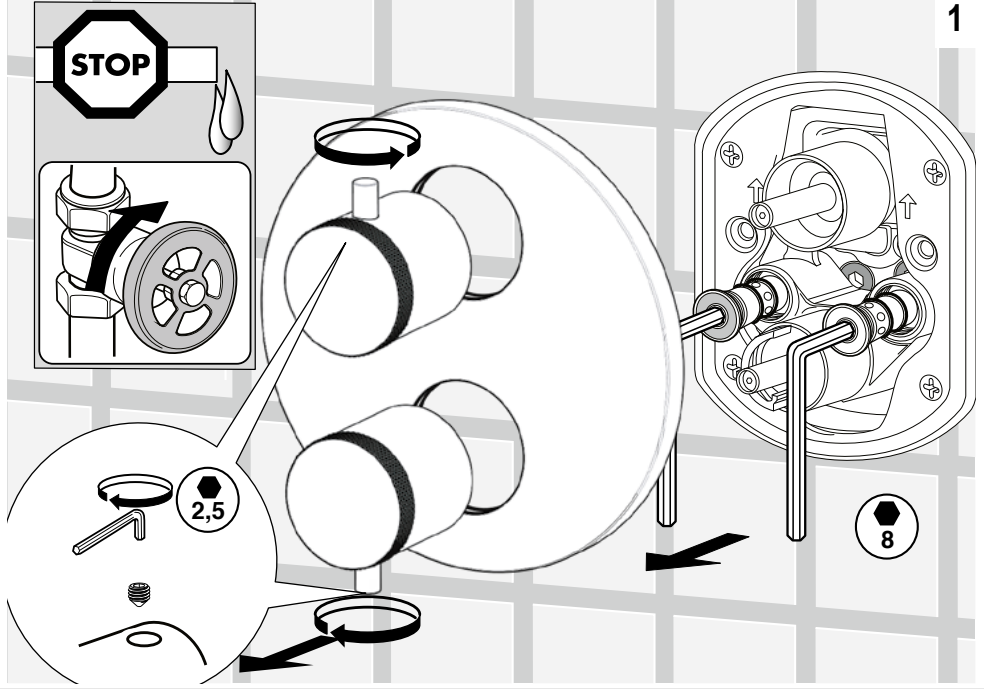
2



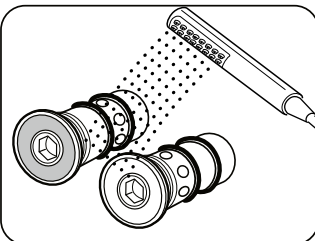
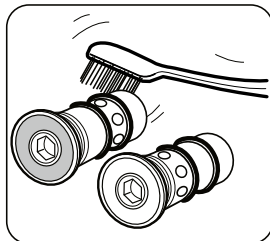
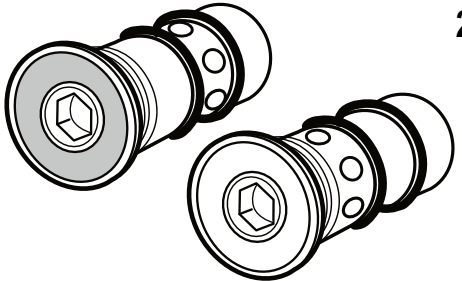
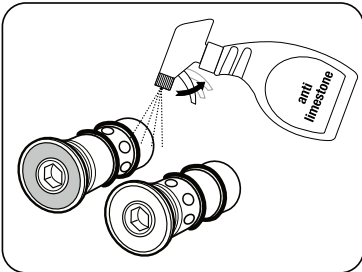


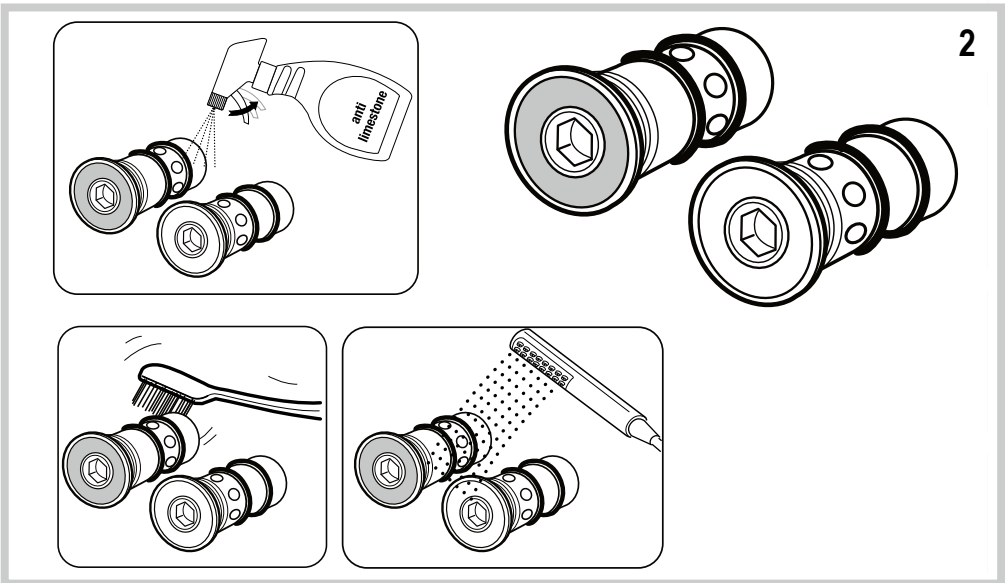
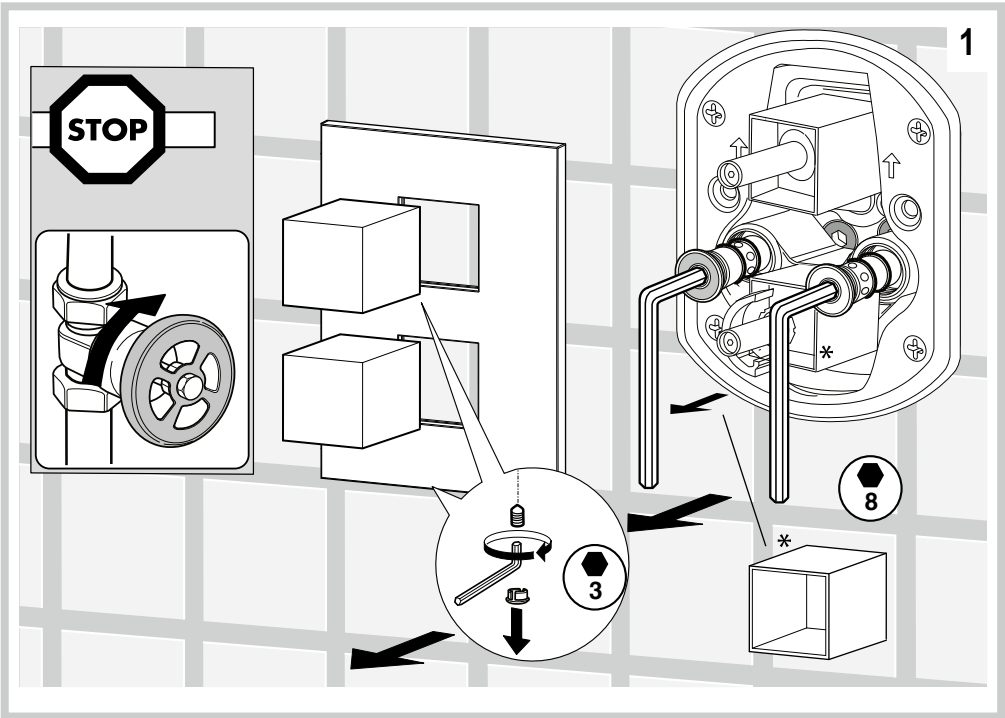


1



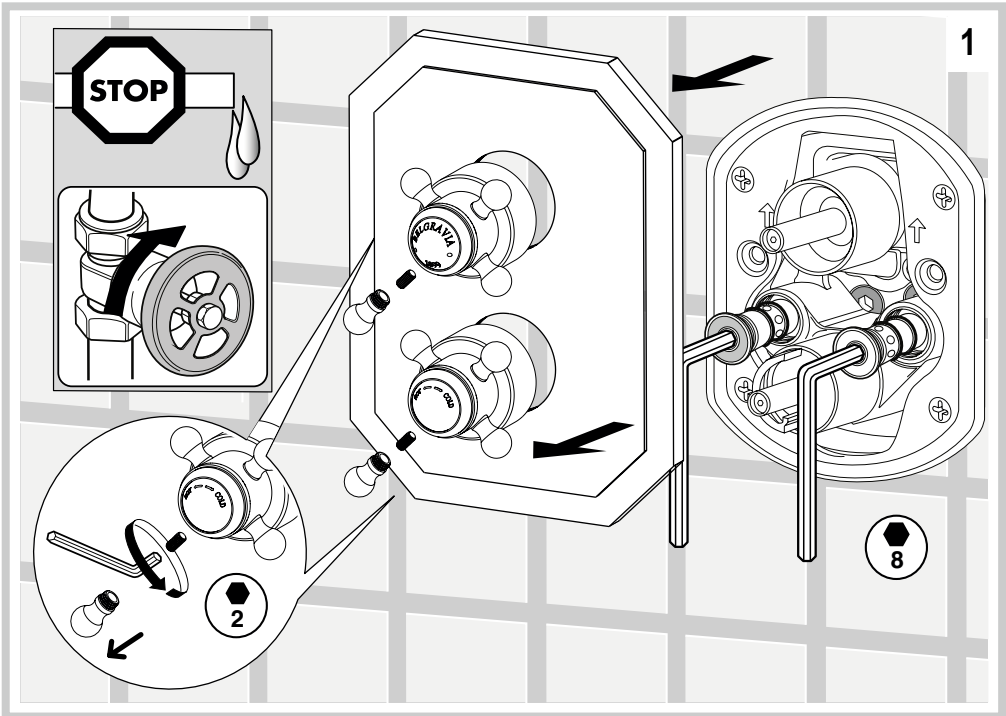
2



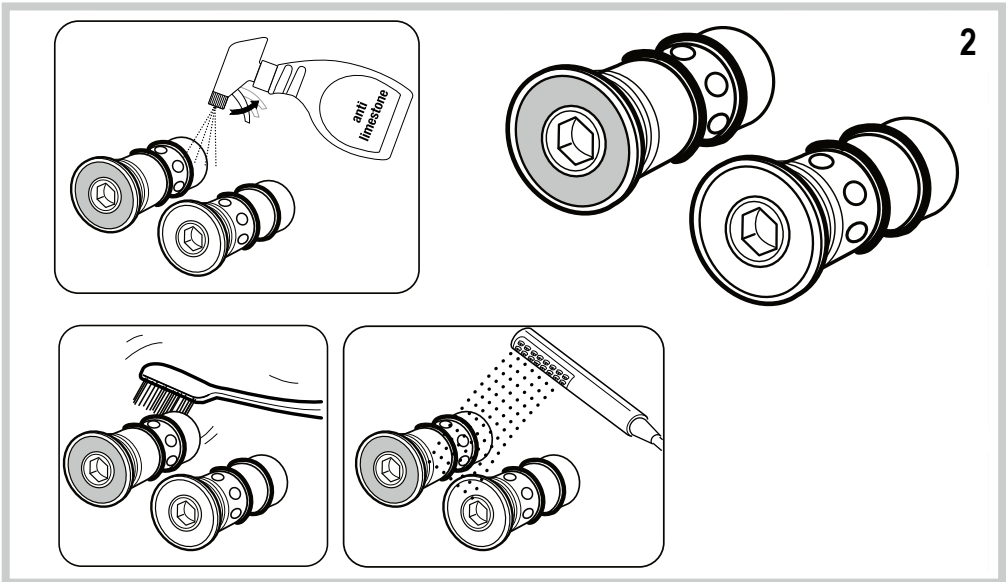


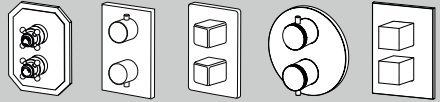


1

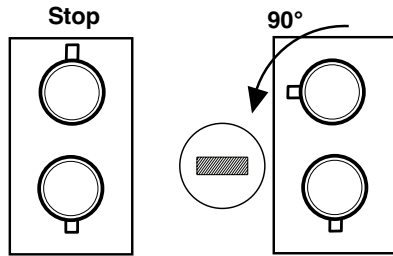


2

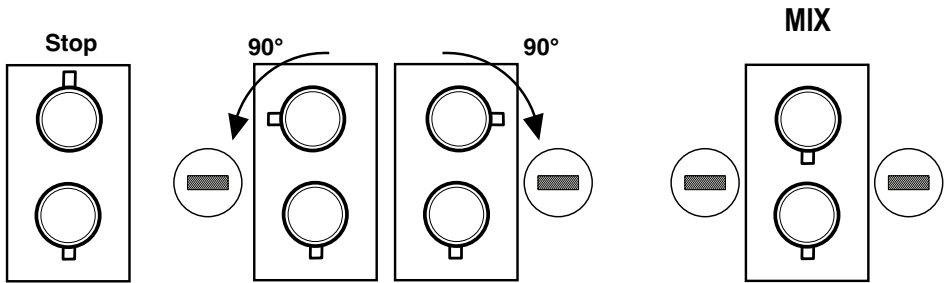




**THERMOSTATIC 1 WAY**



**THERMOSTATIC 2 WAYS**



**THERMOSTATIC 3 WAYS**

