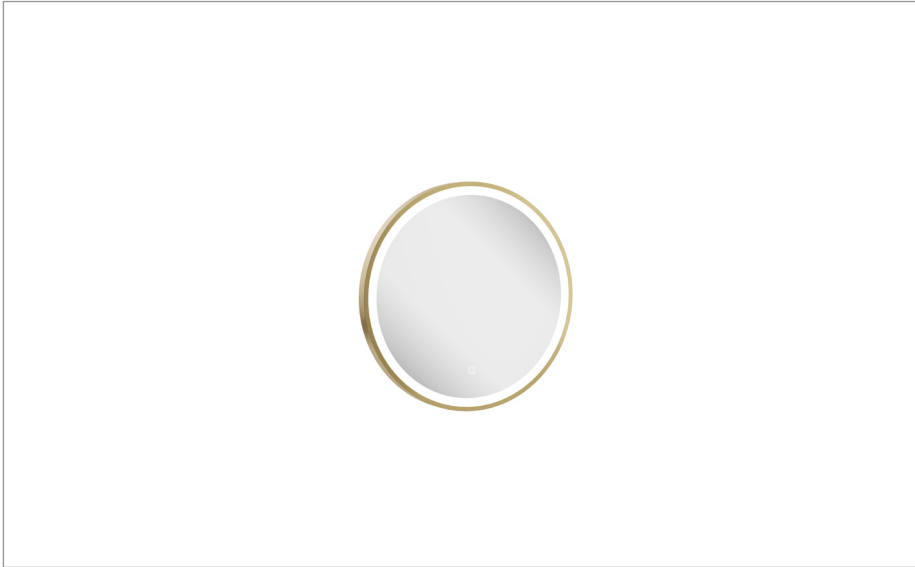


PRODUCT DATA SHEET



PRODUCT CODE

IF_MIRROR50F

RANGE

Mirror

DESCRIPTION

Infinity Illuminated Mirror 500 Brushed Brass

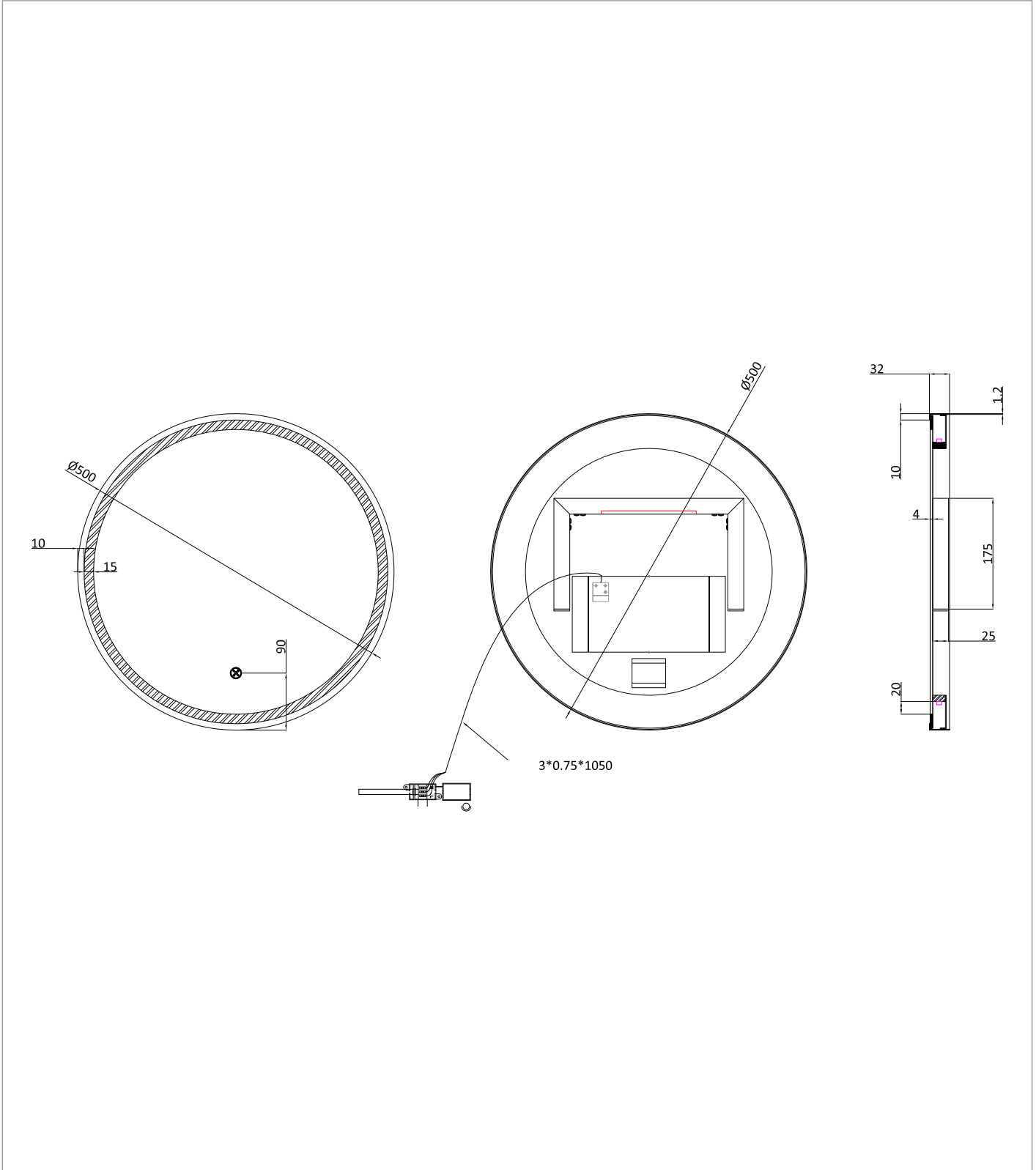
| | |
|-----------------------|---------------------|
| CATEGORY | Cabinets & Mirrors |
| WARRANTY DETAILS | 5 Years |
| COLOUR | Brushed Brass |
| PRIMARY MATERIAL | Glass |
| SECONDARY MATERIAL | 304 Stainless Steel |
| INSTALL TYPE | Wall Mounted |
| PRODUCT WIDTH MM | 500 |
| PRODUCT HEIGHT MM | 500 |
| PRODUCT DEPTH MM | 32 |
| PRODUCT NET WEIGHT KG | 4 |
| STANDARDS | CE & UKCA |

| | |
|-----------------------------|--------------|
| HANDING MIRROR & CABINETS | Universal |
| TEMPERATURE CHANGING | Yes |
| CHARGING SOCKET (MA) | No |
| SHAVER SOCKET INCLUDED | No |
| CABLE LENGTH (MM) | 1050 |
| COLOUR RANGE (K) | 3000-6400K |
| LUMINOUS EFFICACY (LM/W) | 95 |
| COLOUR RENDERING INDEX (RA) | 85 |
| ENERGY RATING | F |
| SWITCH TYPE | Touch switch |
| DIMMABLE | No |
| LIGHT TYPE | LED |
| LED WATTAGE | 6.2W |
| DRIVER WATTAGE | 15W |

TECHNICAL DIMENSIONS

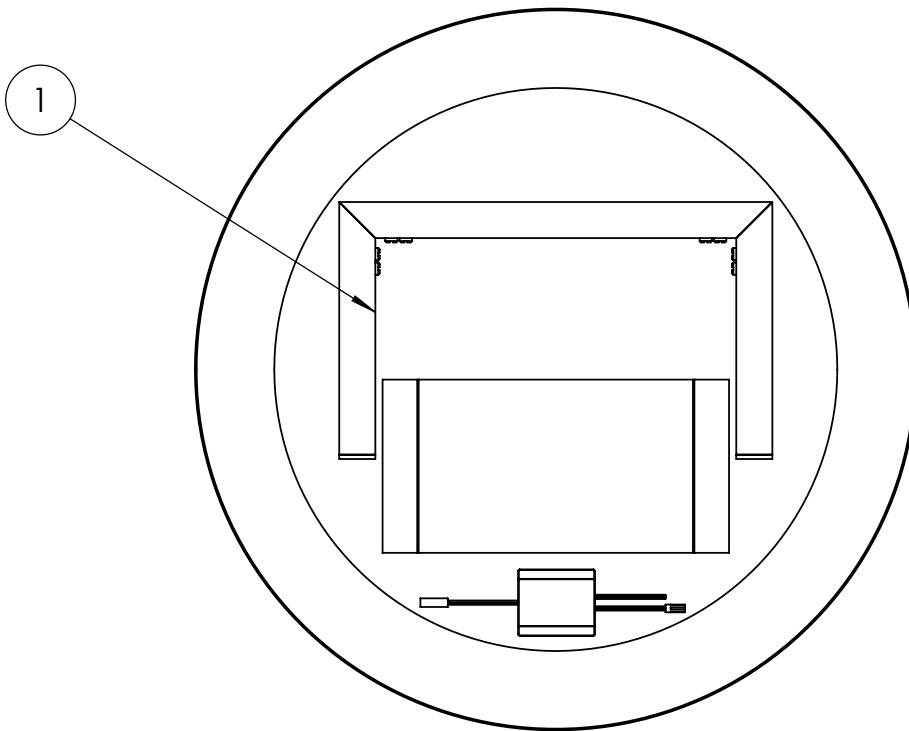
Dimensions in mm unless otherwise specified.

Tolerances (per material type) apply.



SPARES LIST

Only the parts labelled are available as spares.



| NUMBER | PART CODE | DESCRIPTION |
|--------|-----------|-----------------------------------|
| 1 | MIRRORFIX | Fix Screw Pack Keyhole Mirror Fix |