

# PRODUCT DATA SHEET



## PRODUCT CODE

TS963S

## RANGE

3ONE6

## DESCRIPTION

3ONE6 Design Shower Handset, Hose & Wall Outlet Stainless

WEBSITE LINK [Click Here](#)

CATEGORY	Brassware
WARRANTY DETAILS	15 Years
COLOUR	Stainless Steel
FINISH APPLICATION	Raw/Natural
PRIMARY MATERIAL	316 Stainless Steel
SECONDARY MATERIAL	NEOPRENE
INSTALL TYPE	Wall Mounted
PRODUCT WIDTH MM	50
PRODUCT HEIGHT MM	259
PRODUCT NET WEIGHT KG	0.86
STANDARDS	BS EN 1113:2015

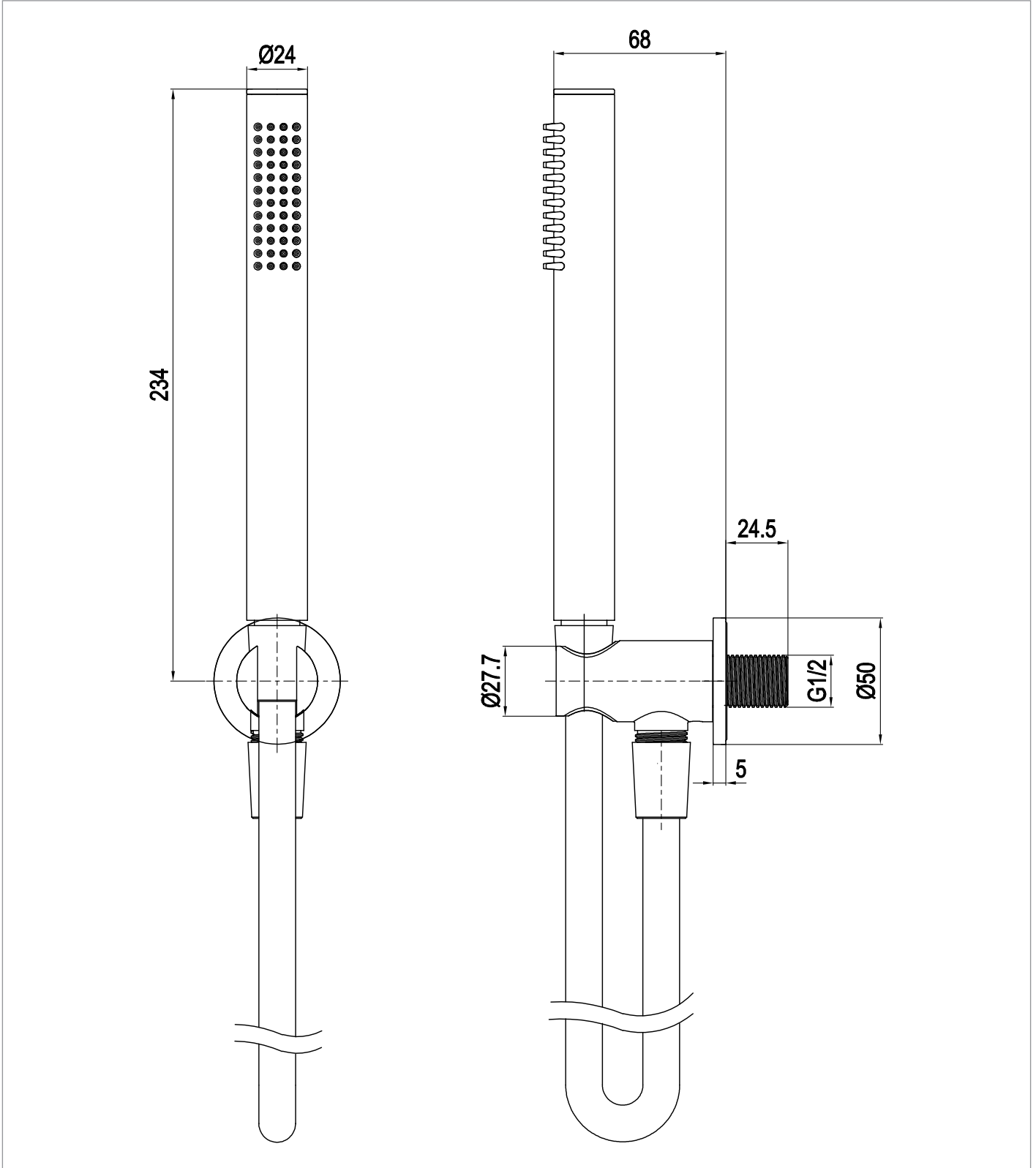
MINIMUM PRESSURE (BAR)	1
MAX WORKING PRESSURE (BAR)	5
NUMBER OF OUTLETS	1
NUMBER OF FUNCTIONS	1
INLET CONNECTIONS THREAD	G1/2"
FLOW REGULATOR	PCW-01 1/2" 12L/Min
WASTE INCLUDED	No
ANTI-SCALD	No
ENERGY SAVING	No
SHOWER HOSE & HANDSET ARE INCLUDED	Yes

PRESSURE (BAR)	0.2	0.5	1	2	3	4	5
PRIMARY FLOWRATE			11.65	17.08	21.32	24.88	27.92
HANDSET FLOWRATE							
MASSAGE FLOW RATE							
AIR FLOW RATE							
WIRE FLOW RATE							
WATERFALL FLOW RATE							
MIST FLOW RATE							
HANDSPRAY FLOW RATE							

## TECHNICAL DIMENSIONS

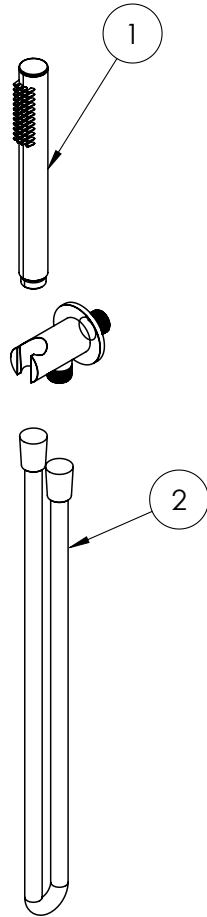
Dimensions in mm unless otherwise specified.

Tolerances (per material type) apply.



## SPARES LIST

Only the parts labelled are available as spares.



NUMBER	PART CODE	DESCRIPTION
1	C10002405B-BB	TS963/416FST Hand Shower
	C10002411B	TS963/416FSF Hand Shower
	C10002401B	TS963_416 Hand Shower
2	B20000109B	TS963/416FST PVC Flexible
	B20000121	TS963/416FSF PVC Flexible
	B20000103	TS963_416 Hose