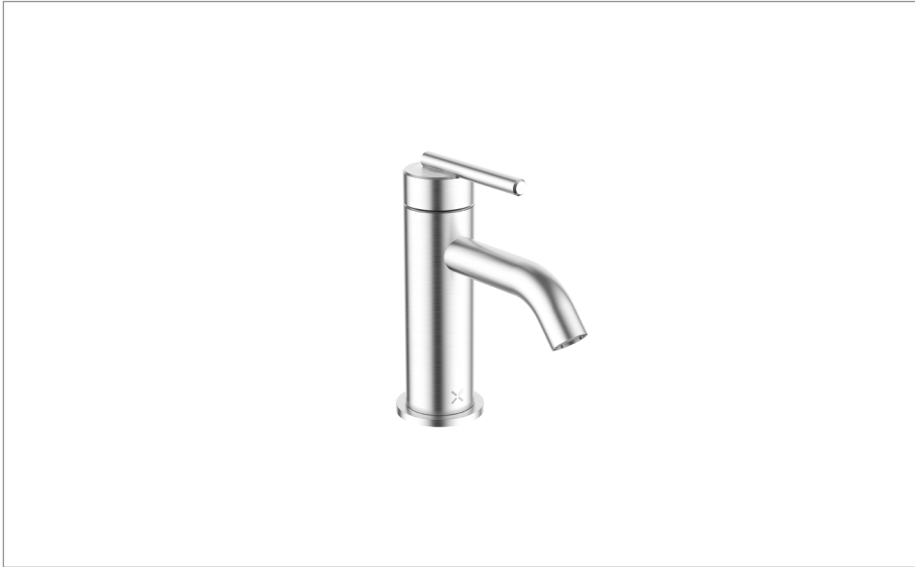


# PRODUCT DATA SHEET



## PRODUCT CODE

TL114DNS

## RANGE

3ONE6 Lever

## DESCRIPTION

3ONE6 Lever Basin Mini Mono Stainless Steel

WEBSITE LINK [Click Here](#)

|                       |                     |
|-----------------------|---------------------|
| CATEGORY              | Brassware           |
| WARRANTY DETAILS      | 15 Years            |
| COLOUR                | Stainless Steel     |
| FINISH APPLICATION    | Brushed             |
| PRIMARY MATERIAL      | 316 Stainless Steel |
| INSTALL TYPE          | Basin Mounted       |
| PRODUCT WIDTH MM      | 45                  |
| PRODUCT HEIGHT MM     | 133                 |
| PRODUCT DEPTH MM      | 124                 |
| PRODUCT NET WEIGHT KG | 0.8                 |
| STANDARDS             | BS EN 817:2008      |

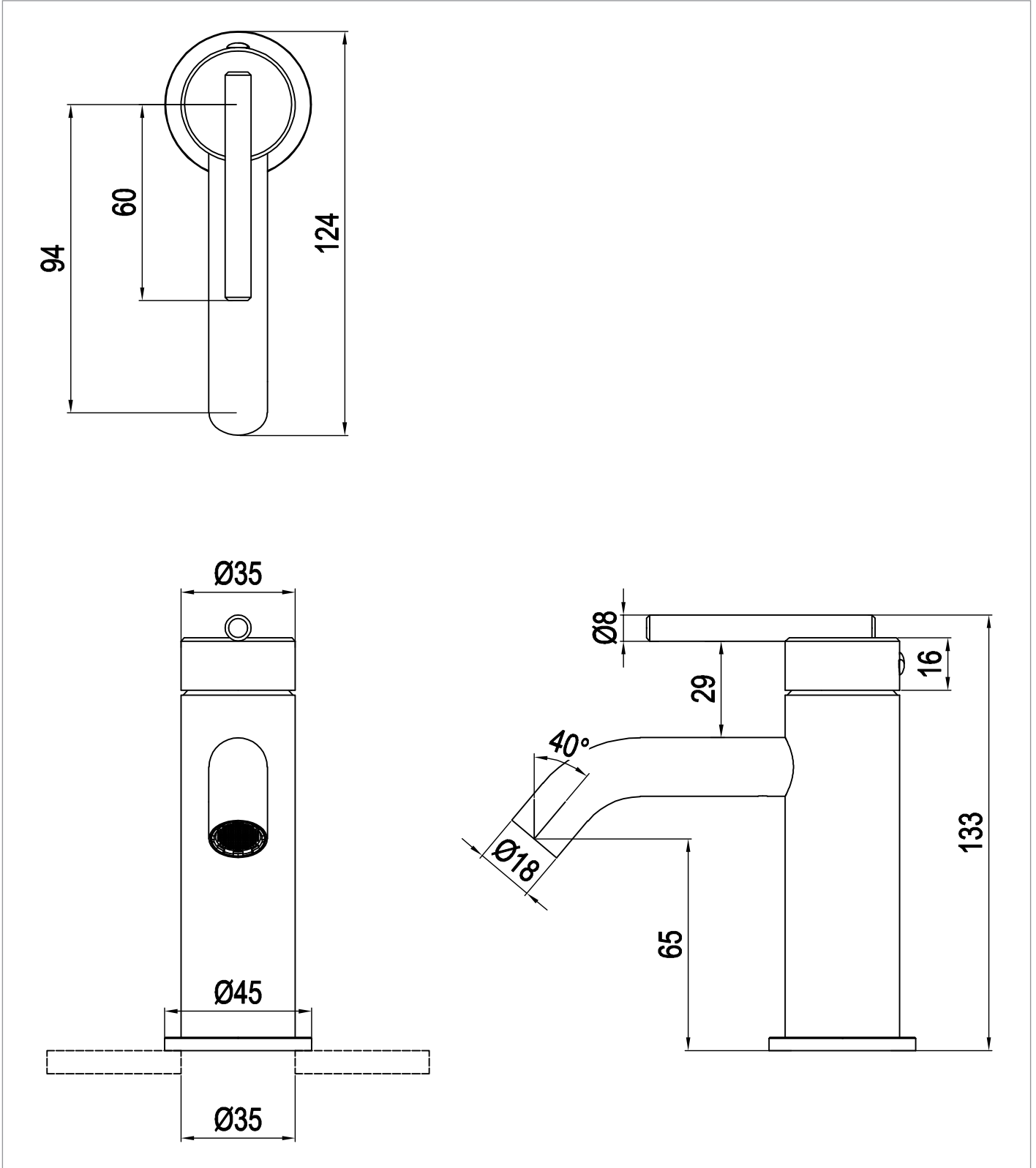
|                                    |                                     |
|------------------------------------|-------------------------------------|
| MINIMUM PRESSURE (BAR)             | 1                                   |
| MAX WORKING PRESSURE (BAR)         | 5                                   |
| HEADWORK                           | 35mm Single lever ceramic cartridge |
| SPOUT PROJECTION                   | 94                                  |
| SWIVEL SPOUT                       | No                                  |
| INLET CONNECTIONS THREAD           | G1/2"                               |
| FLOW REGULATOR                     | Cache M16x1                         |
| WASTE INCLUDED                     | No                                  |
| ANTI-SCALD                         | No                                  |
| ENERGY SAVING                      | No                                  |
| SHOWER HOSE & HANDSET ARE INCLUDED | No                                  |

| PRESSURE (BAR)      | 0.2 | 0.5 | 1    | 2    | 3    | 4    | 5   |
|---------------------|-----|-----|------|------|------|------|-----|
| PRIMARY FLOWRATE    |     |     | 2.72 | 3.96 | 4.85 | 5.23 | 5.4 |
| HANDSET FLOWRATE    |     |     |      |      |      |      |     |
| MASSAGE FLOW RATE   |     |     |      |      |      |      |     |
| AIR FLOW RATE       |     |     |      |      |      |      |     |
| WIRE FLOW RATE      |     |     |      |      |      |      |     |
| WATERFALL FLOW RATE |     |     |      |      |      |      |     |
| MIST FLOW RATE      |     |     |      |      |      |      |     |
| HANDSPRAY FLOW RATE |     |     |      |      |      |      |     |

## TECHNICAL DIMENSIONS

Dimensions in mm unless otherwise specified.

Tolerances (per material type) apply.



## SPARES LIST

Only the parts labelled are available as spares.

|  |
|--|
|  |
|--|