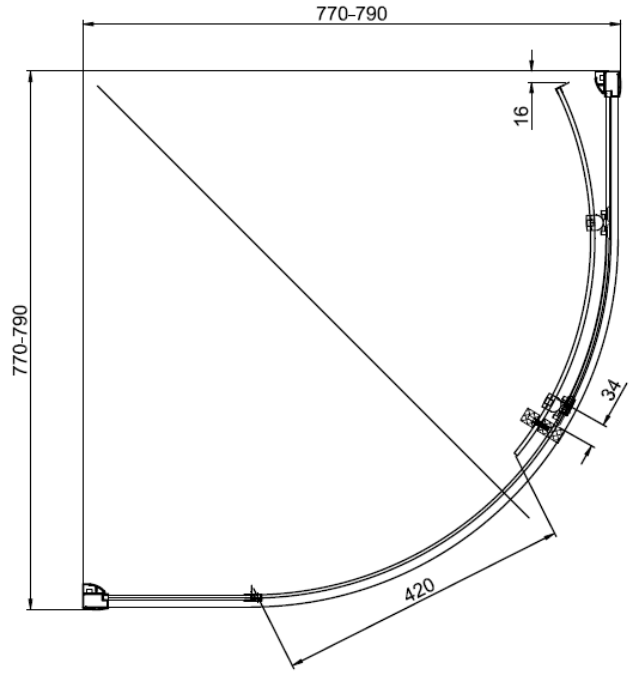
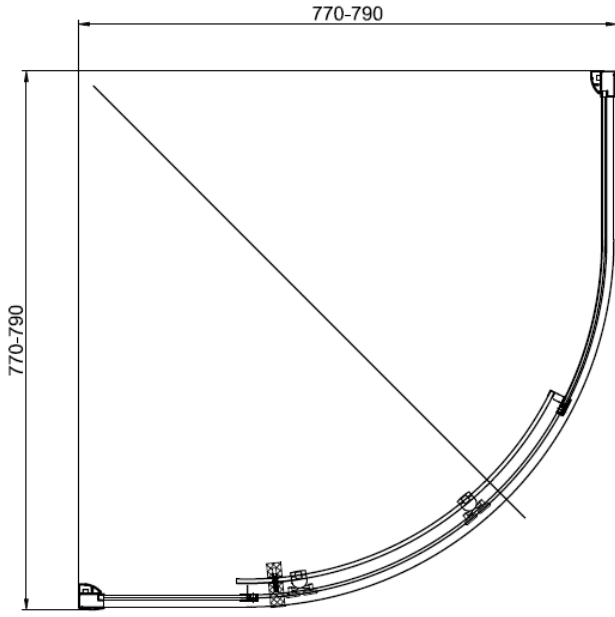


Single Door Quadrant



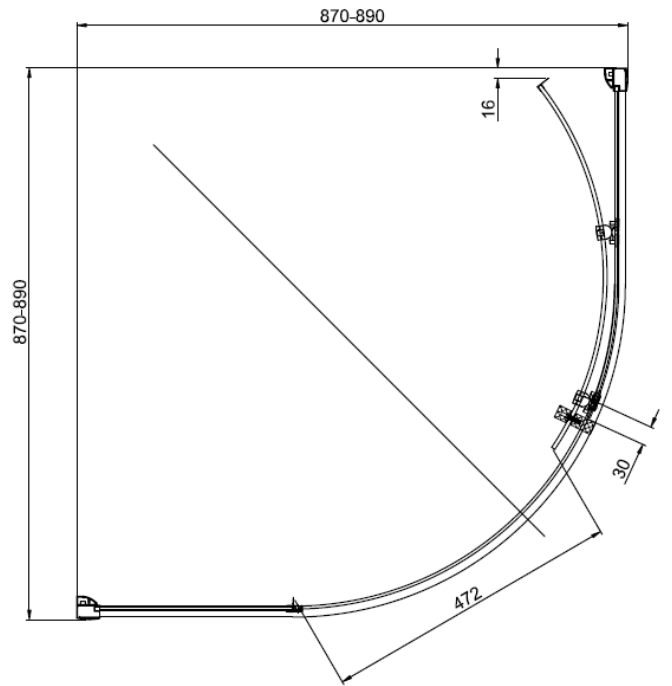
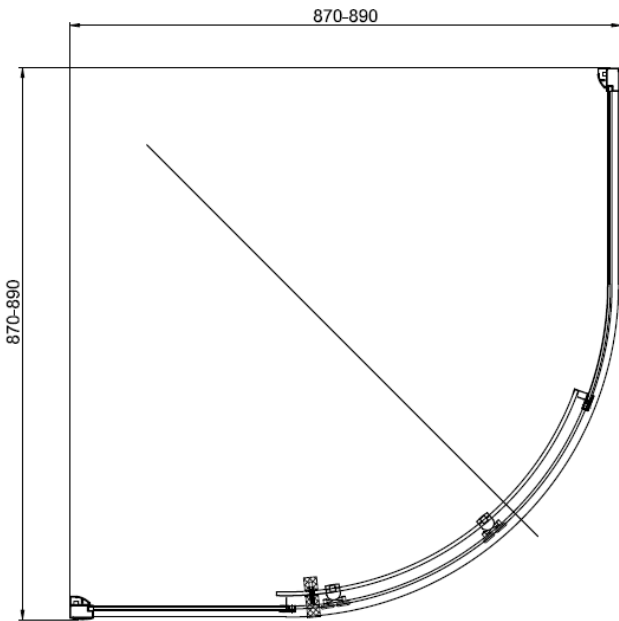
Code	Door Type	Door Height mm	Adjustment in alcove (mm) X	Side adjustment (mm) Y
KLQSSC0800	1 Door Quad 800	1900	770-790	770-790
KLQSSC0900	1 Door Quad 900	1900	870-890	870-890
KLQSSC10X8	1 Door Quad	1900	970-990	770-790
KLQSSC12X8	1 Door Quad	1900	1170-1190	770-790
KLQSSC12X9	1 Door Quad	1900	1170-1190	870-890

# Square Quadrant



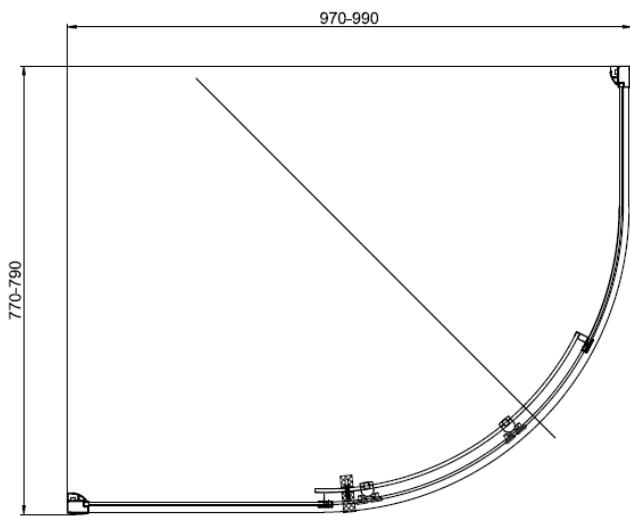
CODE

KLQSSC0800

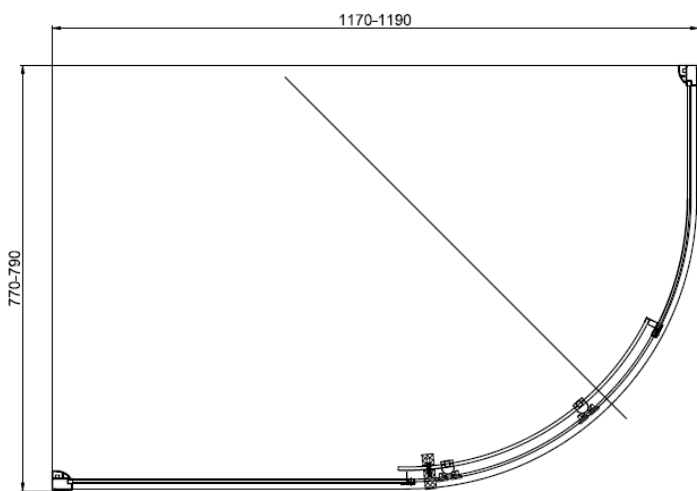
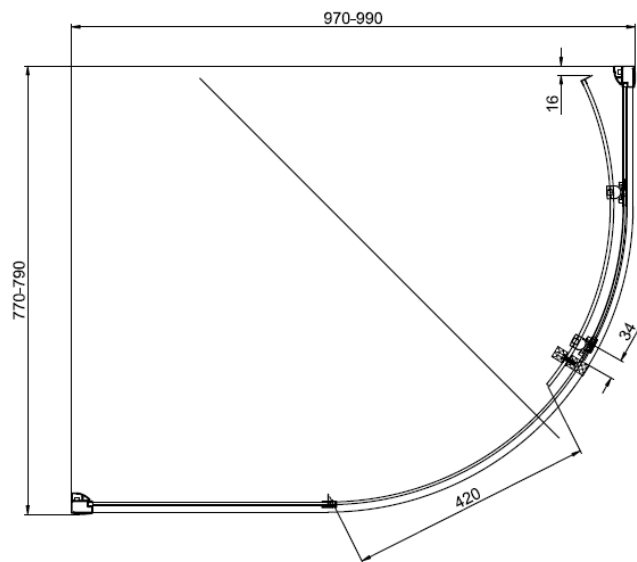


CODE

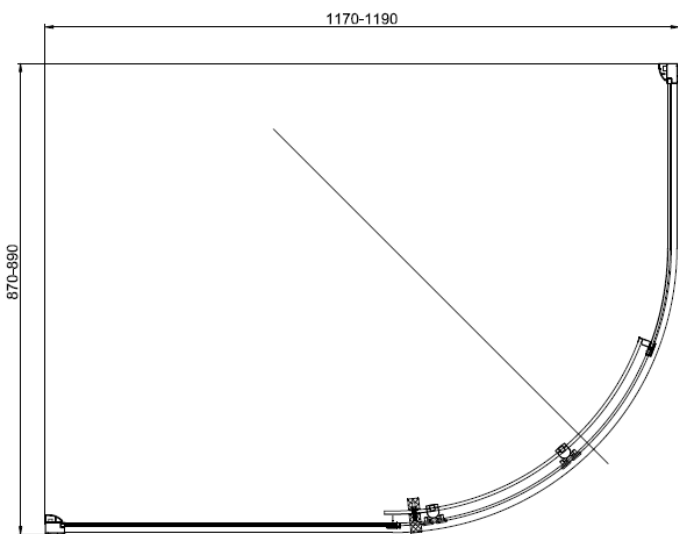
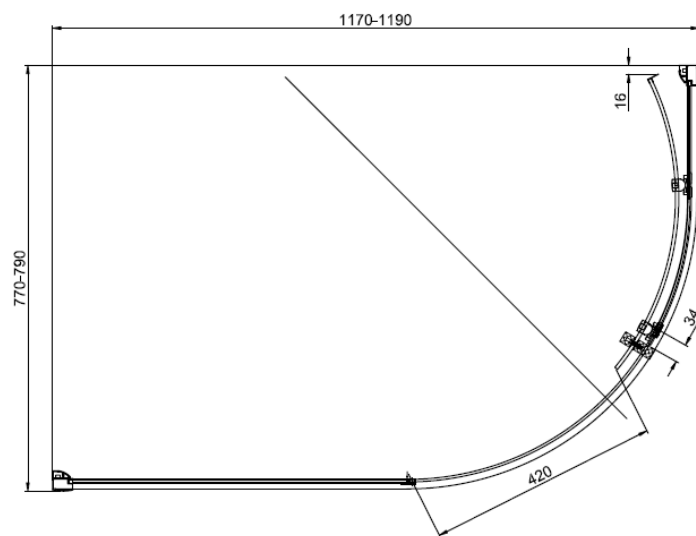
KLQSS0900



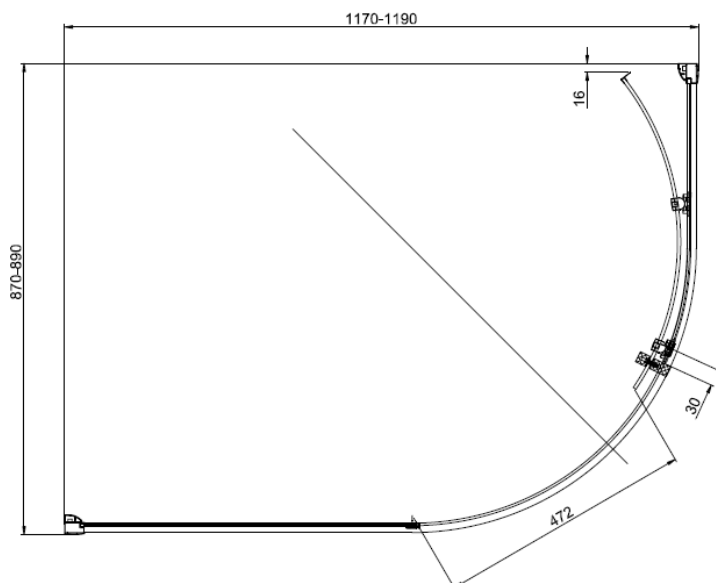
CODE KLQSSC10X8



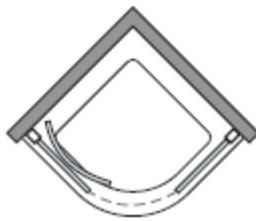
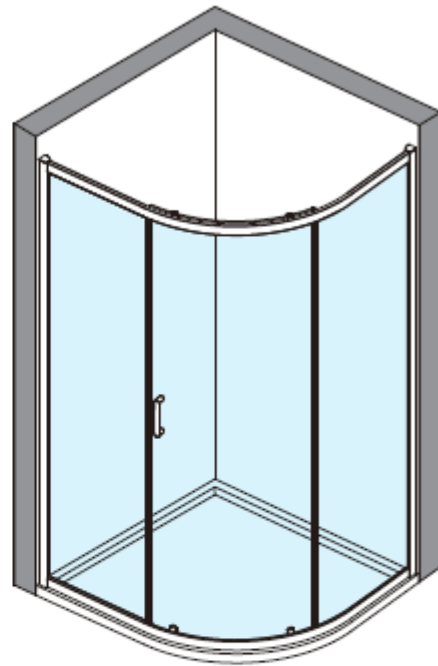
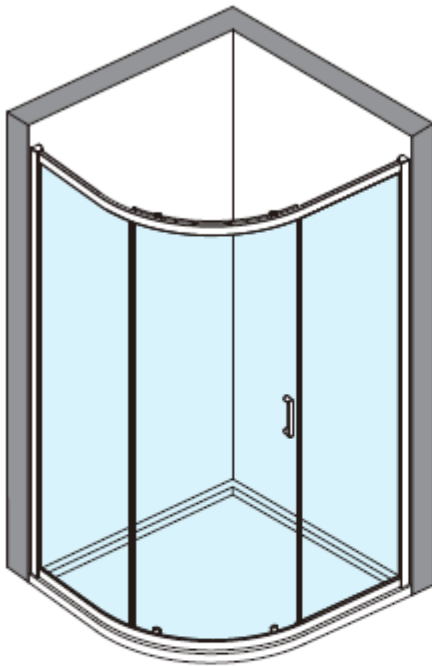
CODE KLQSS12X80



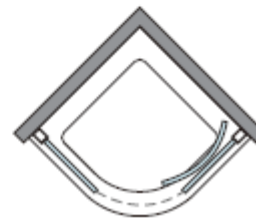
CODE KLQSS12X90



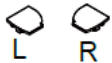






# Off Set Quadrant


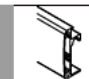









Left Hand

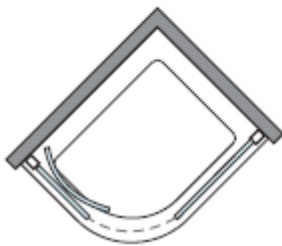
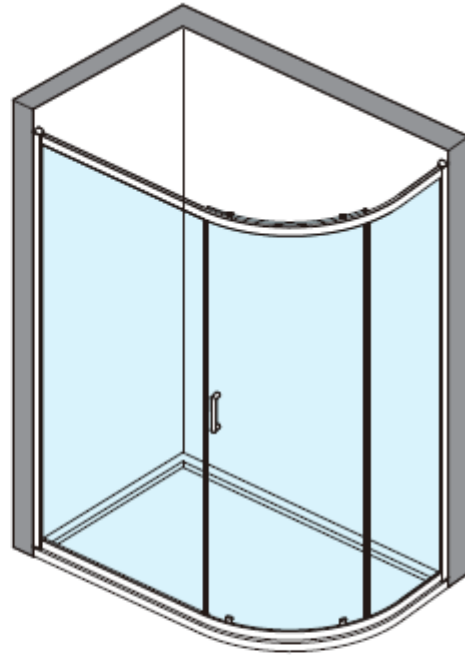
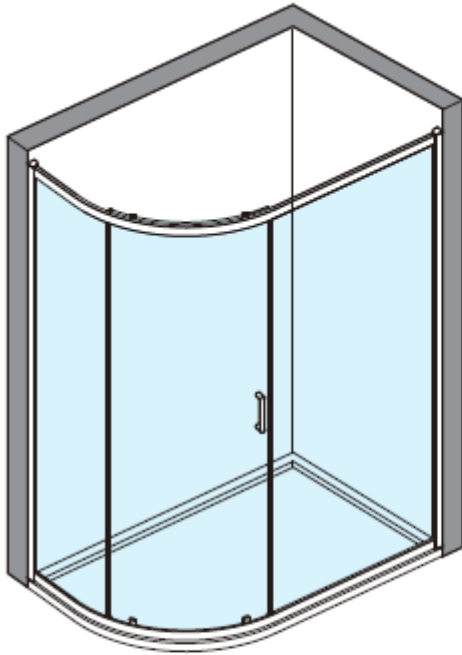


Right Hand

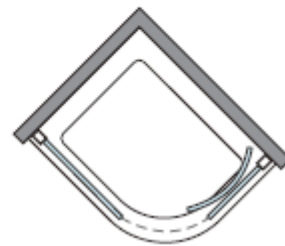
A		Cap for wall profile L R x2
B		Cap for adjusting profile x2
C		Wall plug x8
D		Wall profile x2
E		Cover strip x2
F		ST4*30 x8
G		ST4*8 x6

H		Fixed panel bottom seal x4
I		Top/bottom rail x2
J		Bottom roller x2
K		Handle x1
L		Upright seal for flat fixed panel x1
M		Top roller x2
N		Fixed glass clip cap x4

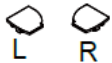






O		Upright seal for moving panel x1
P		Upright seal for curved fixed panel x1












Left Hand



Right Hand

A		Cap for wall profile L R x2
B		Cap for adjusting profile x2
C		Wall plug x8
D		Wall profile x2
E		Cover strip x2
F		ST4*30 x8
G		ST4*8 x6

H		Fixed panel bottom seal x4
I		Top/bottom rail x2
J		Bottom roller x2
K		Handle x1
L		Upright seal for flat fixed panel x1
M		Top roller x2
N		Fixed glass clip cap x4

O		Upright seal for moving panel x1
P		Upright seal for curved fixed panel x1