

PRODUCT DATA SHEET



PRODUCT CODE

RT011F

RANGE

Rotar

DESCRIPTION

Rotar Soap Dispenser Brushed Brass

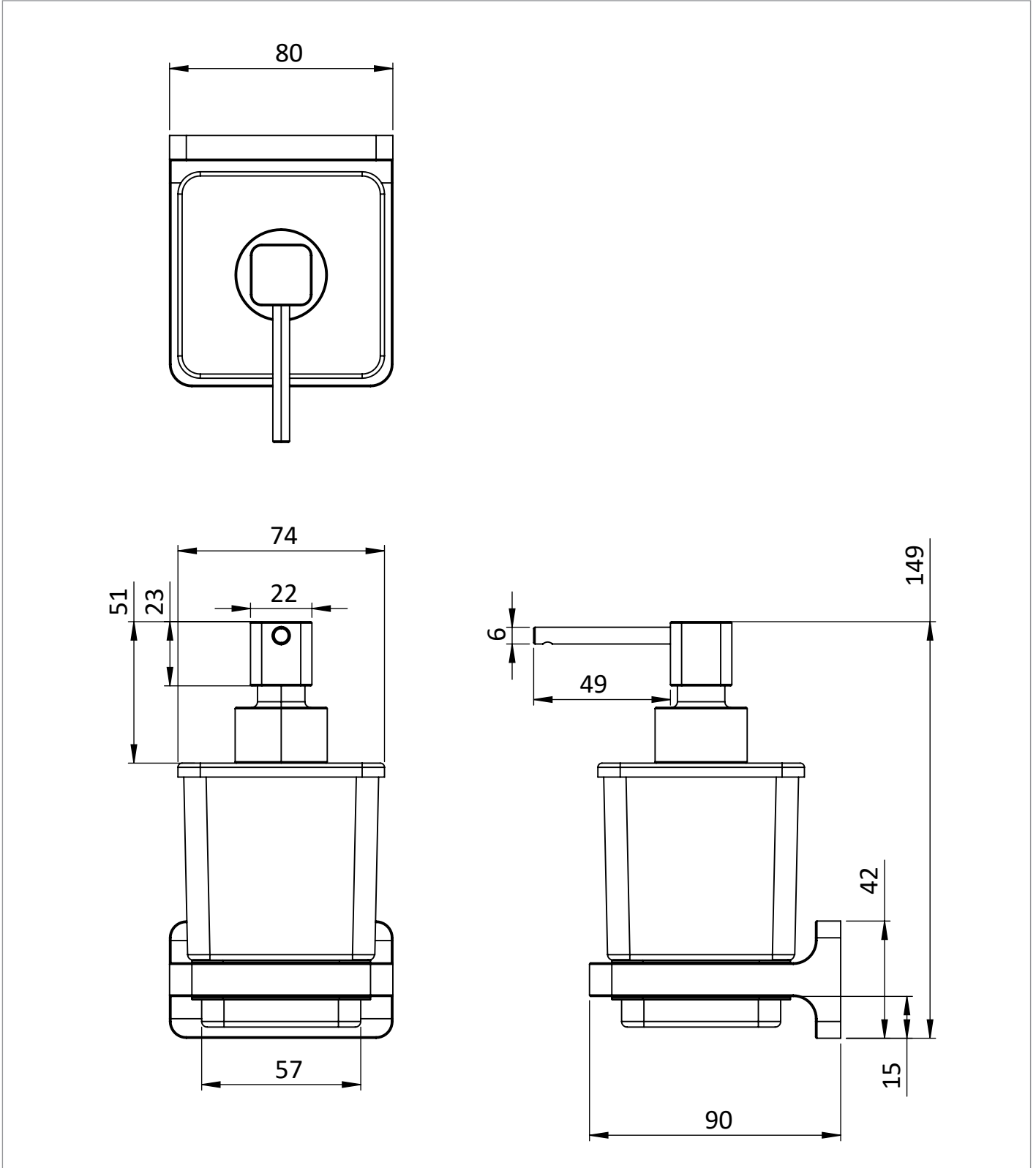
WEBSITE LINK [Click Here](#)

CATEGORY	Accessories
WARRANTY DETAILS	15 Years
COLOUR	Brushed Brass
FINISH APPLICATION	PVD
PRIMARY MATERIAL	Brass
SECONDARY MATERIAL	Glass
INSTALL TYPE	Wall Mounted
PRODUCT WIDTH MM	80
PRODUCT HEIGHT MM	149
PRODUCT DEPTH MM	110
PRODUCT NET WEIGHT KG	0.98

TECHNICAL DIMENSIONS

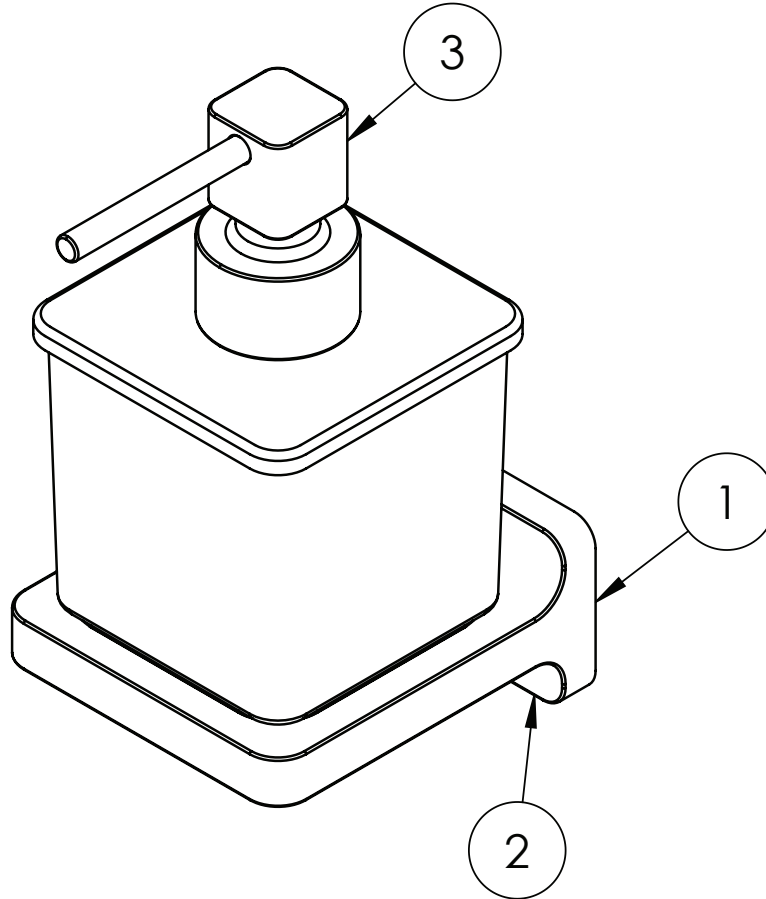
Dimensions in mm unless otherwise specified.

Tolerances (per material type) apply.



SPARES LIST

Only the parts labelled are available as spares.



NUMBER	PART CODE	DESCRIPTION
1	RT00003	Rotar Wall Mounting Plate for RT003/RT011
2	RT00004	Rotar Grub Screws for RT021/RT003/RT011/RT013/RT029/RT025/RT023/ RT015
3	RT00006C	Rotar Spray Head For Soap Dispenser RT011C Chrome
	RT00006V	Rotar Spray Head For Soap Dispenser RT011V Brushed Nickel
	RT00006M	Rotar Spray Head For Soap Dispenser RT011M Matt Black
	RT00006F	Rotar Spray Head For Soap Dispenser RT011F Brushed Brass
	RT00006BZ	Rotar Spray Head For Soap Dispenser RT011BZ Brushed Bronze
	RT00006T	Rotar Spray Head For Soap Dispenser RT011T Slate