

INFINITY 500mm FURNITURE

Tiled Drawer Front Option



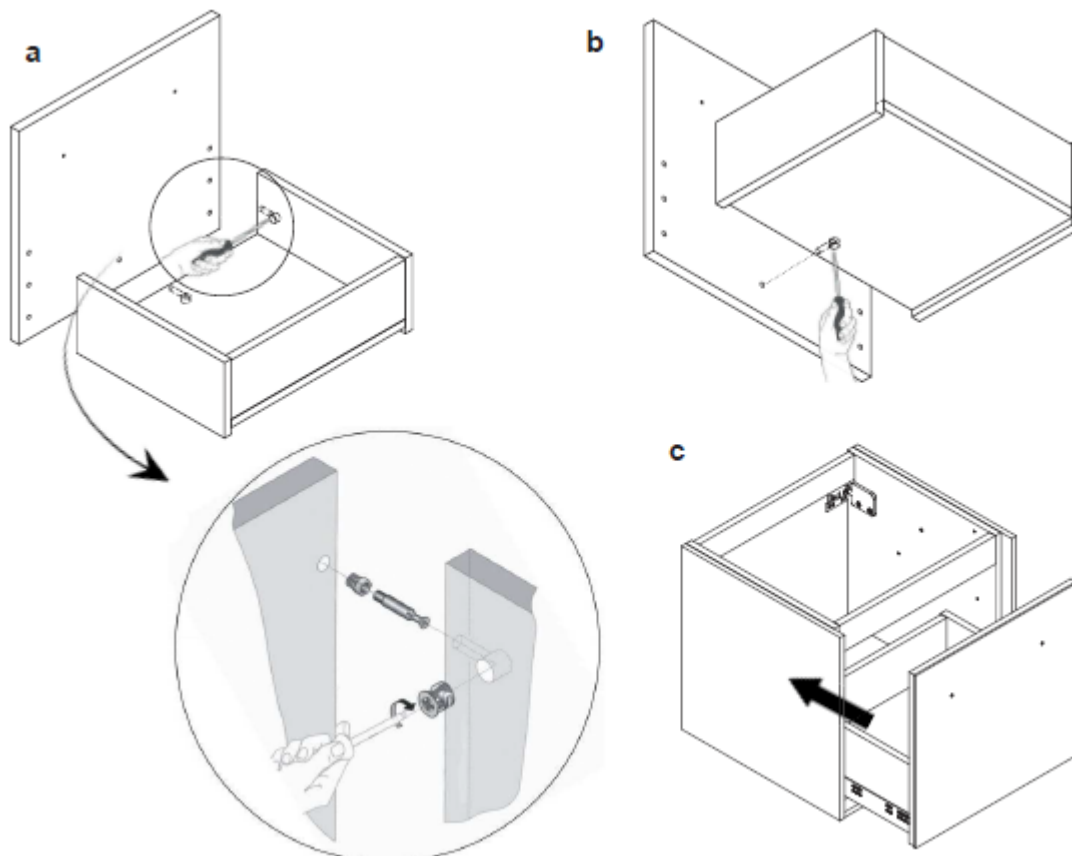
Code	Description	Finish	A mm	B mm	C mm	Weight Kg
IFCARRARA	Infinity Tiled Drawer Front	Carrara Marble Effect	484	434	22	2.40
IFCEMENT	Infinity Tiled Drawer Front	Concrete Effect	484	434	22	2.40
IFMARQUINA	Infinity Tiled Drawer Front	Marquina Marble Effect	484	434	22	2.40

Recommended use: Domestic, residential

Installation: Mounted on furniture carcass only
 Materials: 16mm HPL board with 6mm ceramic tile resin bonded
 Supply: Tile and drawer front pre-sdrilled throughout for Infinity handles

Suitable for Handles

- IF_HANDLEBM
- IF_HANDLEC
- IF_HANDLEF
- IF_HANDLEV



INFINITY 500mm FURNITURE



TECHNICAL DATA

CODE No UNIT	IF5000Dxx
Required top	Worktop see prevailing Crosswater catalogue
Recommended use: Domestic, residential	
Dimension Unit	w 500 x d 450 x h 450mm
Installation:	Wall Hung
Materials:	Carcass and drawer front 18mm MDF Drawer set 18mm MDF
Specification:	Full extension soft close drawers - 30kg weight capacity Anti-tip wall hangers 170Kg capacity
Weight:	21kg
Fitting:	Wall hangers integrated into carcass Wall brackets supplied
Required Fitting:	Compatible to basin requirement
Advised Fitting:	Space saving 50mm seal trap BTR0510W
Option Accessories:	Handles - see right. Interior drawer and LED light bar
Warranty	10 years on furniture

SPECIFICATION

Installation Information: The intended installation wall needs to be strong enough for the weight of the furniture and basin. Wall fixings for solid walls included.
Laminate finishes/lacquer tested to ISO 22196
Measurement of antibacterial activity Graded Strong
value of anit-bacterial effect A>3

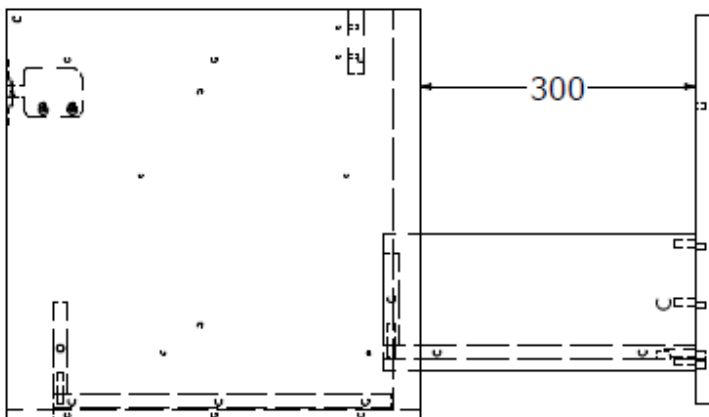
Furniture Colours:

Black Matt	IF5000DBM	EN622 type 5
Storm Grey Matt	IF5000DSG	EN622 type 5
White Gloss	IF5000DWG	EN622 type 5
Windsor Oak	IF5000DWO	EN622 type 5

Handle Colour options:

IF_HANDLEC	Chrome
IF_HANDLEBM	Matt Black
IF_HANDLEF	Brushed Brass effect
IF_HANDLEV	Stainless Steel Effect

Side View—drawer extension



Plan View

