

PRODUCT DATA SHEET



PRODUCT CODE
PROMODDIVLBPF

RANGE
MODULE

DESCRIPTION
Module 2 Control Diverter Trimset
Brushed Brass

COLOUR Brushed Brass

MATERIAL Brass

FINISH APPLICATION PVD

INSTALLATION TYPE Wall Mounted

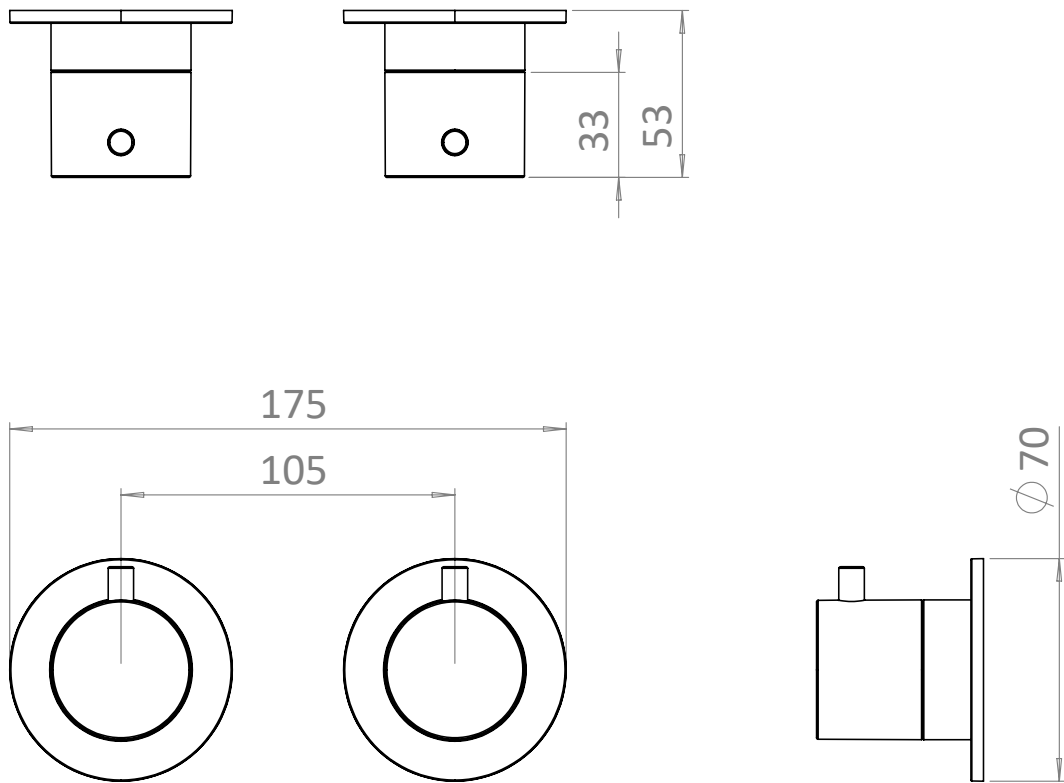
WEIGHT 0.95kg

WARRANTY 15 Years

TECHNICAL DIMENSIONS

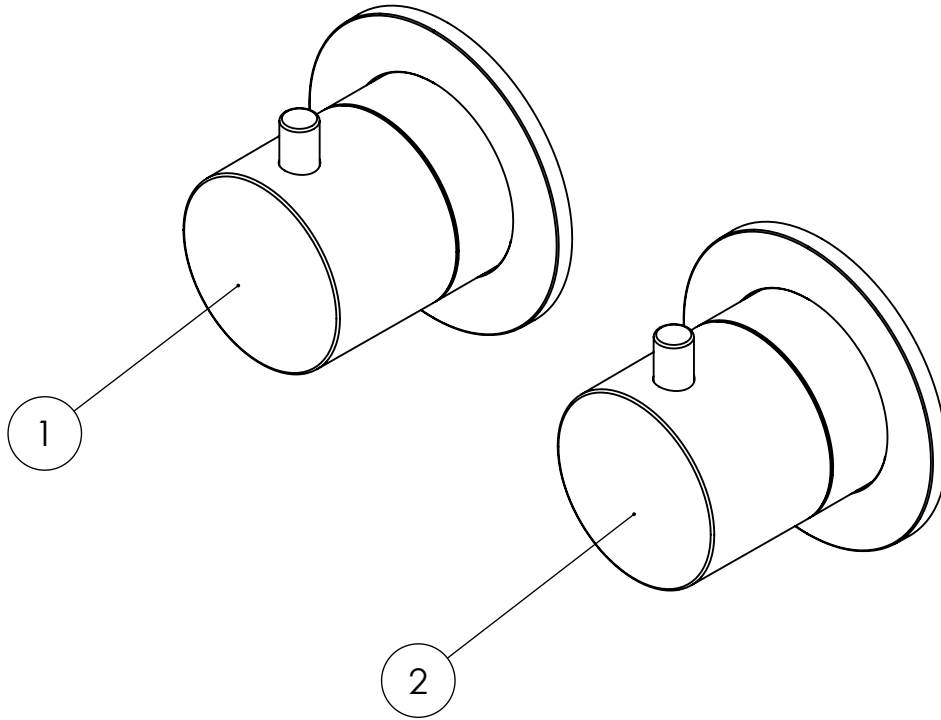
Dimensions in mm unless otherwise specified.

Tolerances (per material type) apply.



V10622

SPARES DIAGRAM



NUMBER	PART CODE	DESCRIPTION
1	E005058.282HESC	Mod Handle, Collar and Plate for Diverter Brushed Brass
2	E005056.282HESC	Mod Handle, Collar and Plate for Thermostat Brushed Brass

Only the parts labelled are available as spares.

V10622