

PRODUCT DATA SHEET



PRODUCT CODE
FL04950SMB

RANGE
FLUTE

DESCRIPTION
Glass Basin Midnight Black 0TH

COLOUR
Midnight Black

MATERIAL
Glass

STANDARDS
EN 31/EN 14688 - CL0

INSTALLATION TYPE
Furniture Mounted

DOP CLASS
01-2017

CAPACITY OF WATER AT
OVERFLOW LEVEL
15 L

BASIN WASTE SIZE
45mm

TAP HOLES
0TH

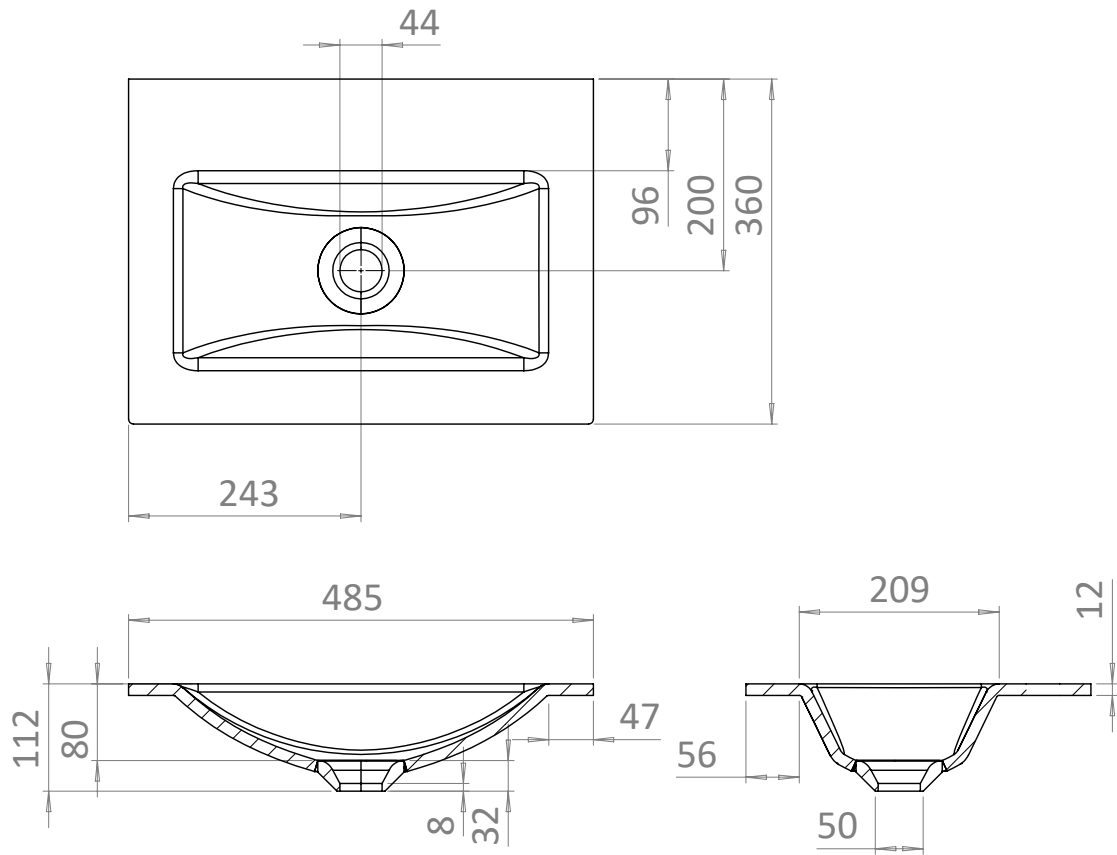
OVERFLOW
No

WARRANTY
10 Years

TECHNICAL DIMENSIONS

Dimensions in mm unless otherwise specified.

Tolerances (per material type) apply.



V10522