

PRODUCT DATA SHEET



PRODUCT CODE

GRBRACET

RANGE

Gallery

DESCRIPTION

Gallery Glass Wall Brace Slate

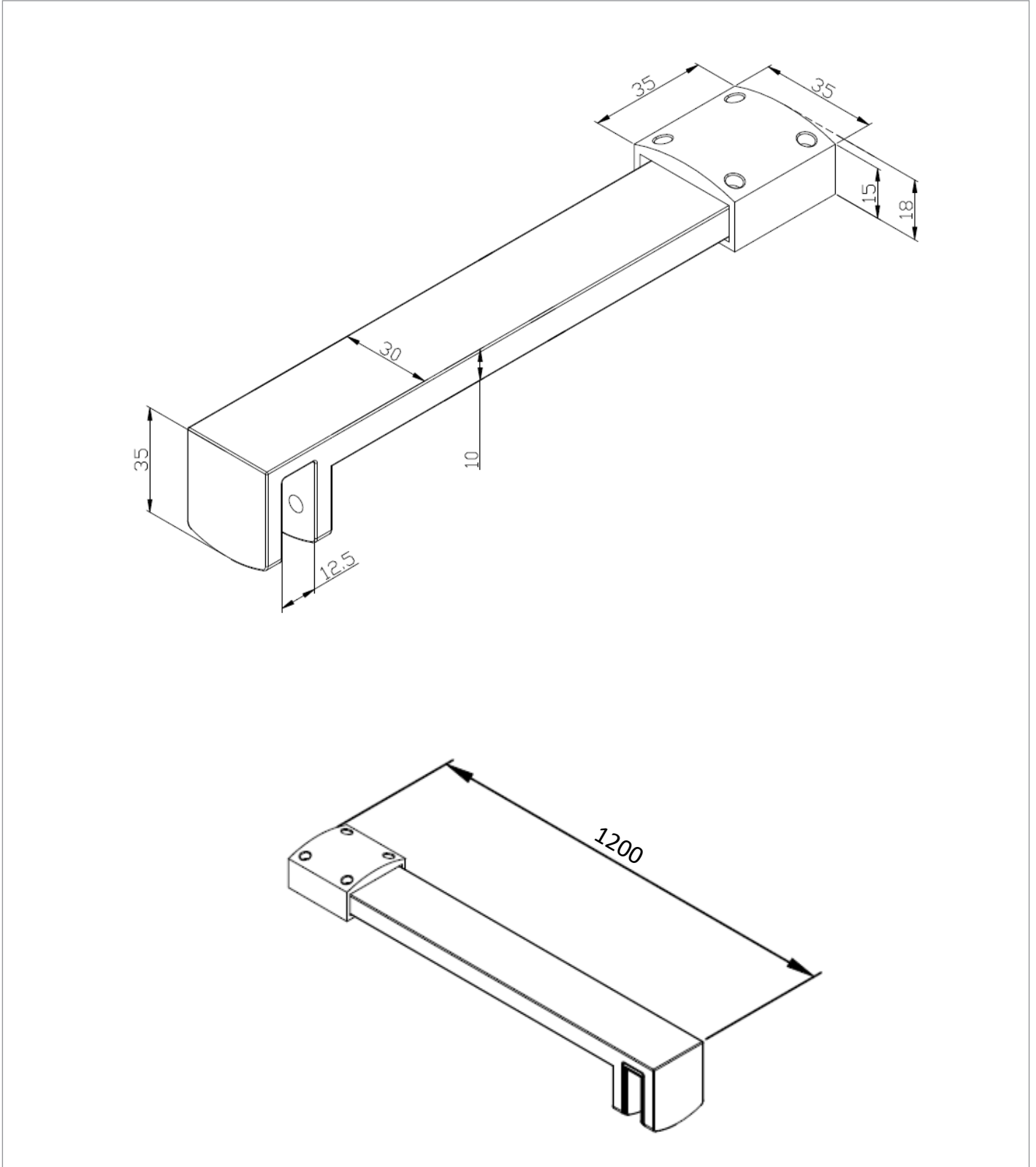
WEBSITE LINK [Click Here](#)

CATEGORY	Showering
WARRANTY DETAILS	2 Years
COLOUR	Slate
FINISH APPLICATION	PVD
PRIMARY MATERIAL	304 Stainless Steel
INSTALL TYPE	Wall Mounted
PRODUCT WIDTH MM	35
PRODUCT LENGTH MM	1200
PRODUCT NET WEIGHT KG	1.2
STANDARDS	EN14428

TECHNICAL DIMENSIONS

Dimensions in mm unless otherwise specified.

Tolerances (per material type) apply.



SPARES LIST

Only the parts labelled are available as spares.

SPARES AVAILABLE UPON REQUEST