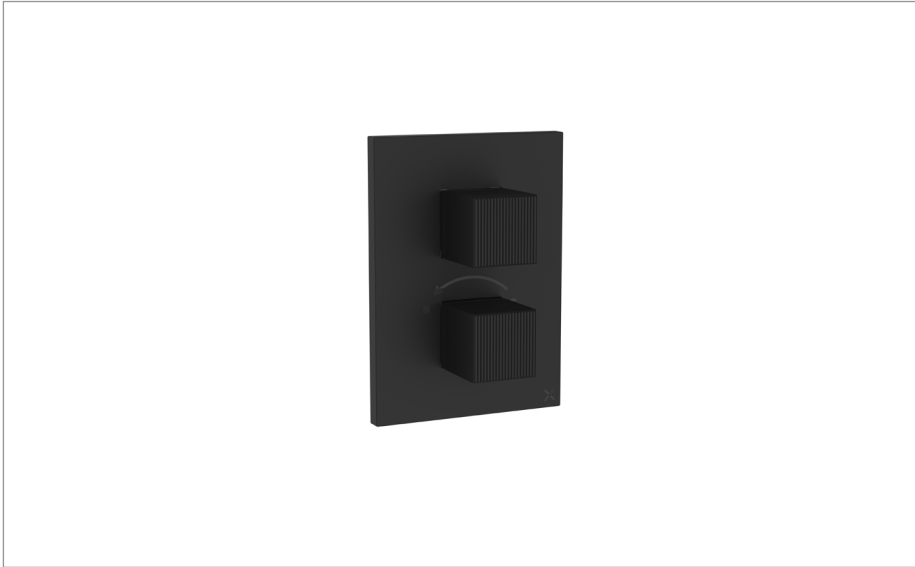


PRODUCT DATA SHEET



PRODUCT CODE

LICB1500LBPM

RANGE

Limit

DESCRIPTION

Crossbox Limit 2 Outlet Trim & Valves
Matt Black

WEBSITE LINK [Click Here](#)

| | |
|--------------------|---------------|
| CATEGORY | Brassware |
| WARRANTY DETAILS | 15 Years |
| COLOUR | Matt Black |
| FINISH APPLICATION | Powder Coated |
| PRIMARY MATERIAL | Brass |
| INSTALL TYPE | Wall Mounted |
| PRODUCT WIDTH MM | 130 |
| PRODUCT HEIGHT MM | 180 |
| PRODUCT DEPTH MM | 59 |
| PRODUCT NET WEIGHT | 1.64 |

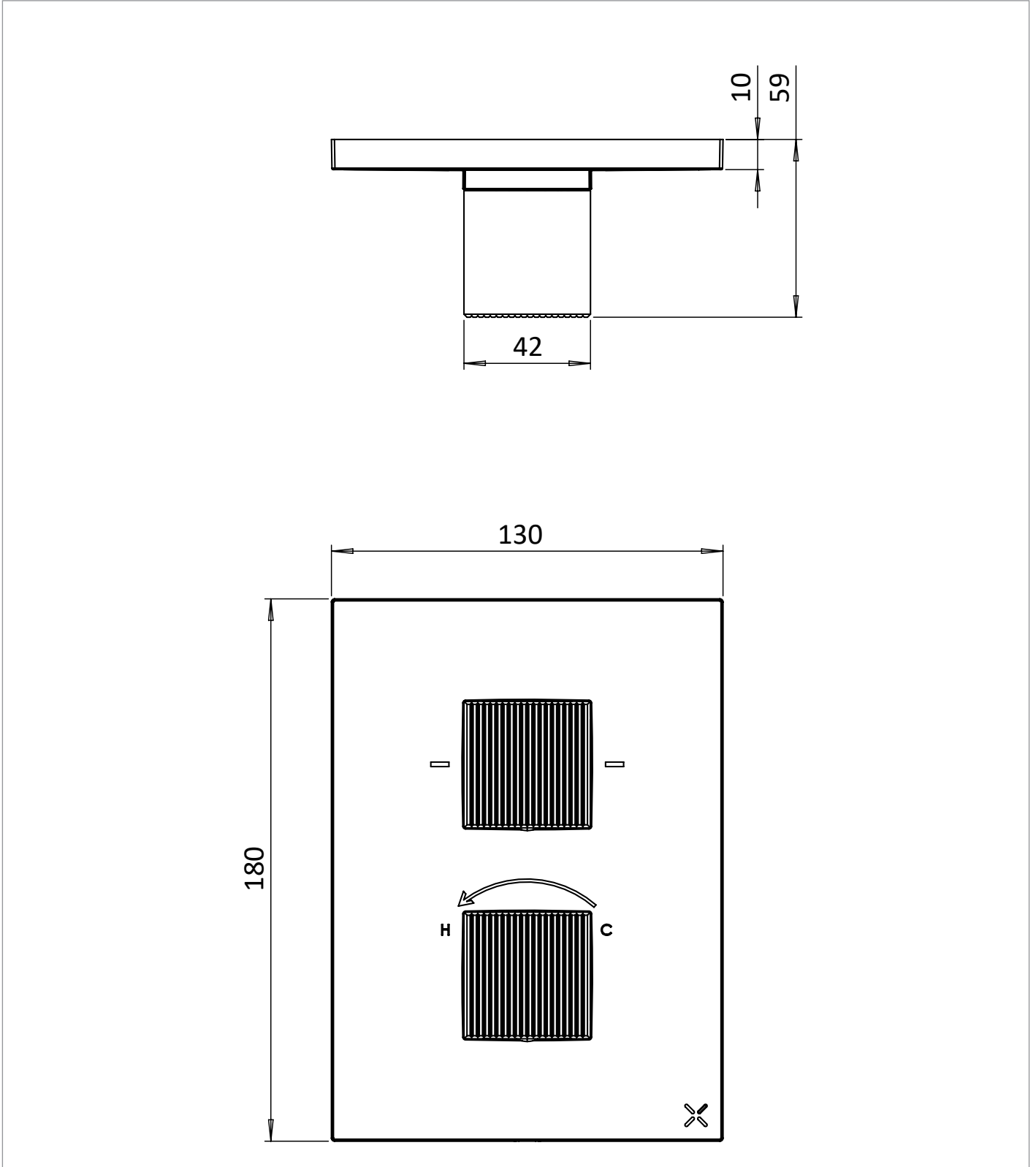
| | |
|------------------------------------|-------|
| MINIMUM PRESSURE (BAR) | 1 |
| MAX WORKING PRESSURE (BAR) | 5 |
| NUMBER OF OUTLETS | 2 |
| HEADWORK | 35mm |
| INLET CONNECTIONS THREAD | G1/2" |
| WASTE INCLUDED | No |
| ANTI-SCALD | Yes |
| ENERGY SAVING | No |
| SHOWER HOSE & HANDSET ARE INCLUDED | No |

| PRESSURE (BAR) | 0.2 | 0.5 | 1 | 2 | 3 | 4 | 5 |
|---------------------|-----|-----|------|------|------|----|------|
| PRIMARY FLOWRATE | | | 11.7 | 16.7 | 20.7 | 24 | 26.6 |
| HANDSET FLOWRATE | | | | | | | |
| MESSAGE FLOW RATE | | | | | | | |
| AIR FLOW RATE | | | | | | | |
| WIRE FLOW RATE | | | | | | | |
| WATERFALL FLOW RATE | | | | | | | |
| MIST FLOW RATE | | | | | | | |
| HANDSPRAY FLOW RATE | | | | | | | |

TECHNICAL DIMENSIONS

Dimensions in mm unless otherwise specified.

Tolerances (per material type) apply.



SPARES LIST

Only the parts labelled are available as spares.

| |
|--|
| |
|--|