

The upper left corner of the furniture

The upper right corner of the furniture

SCALE 1:1

**! IMPORTANT!** The furniture carcass falls outside of the wall bracket fitting positions.

### TEMPLATE FOR HANGING FURNITURE

- 1. Cut template along dotted line.
- 2. Fix the template with masking tape to the wall in correct installation position.

NOTE: Use a spirit level to the template is straight.

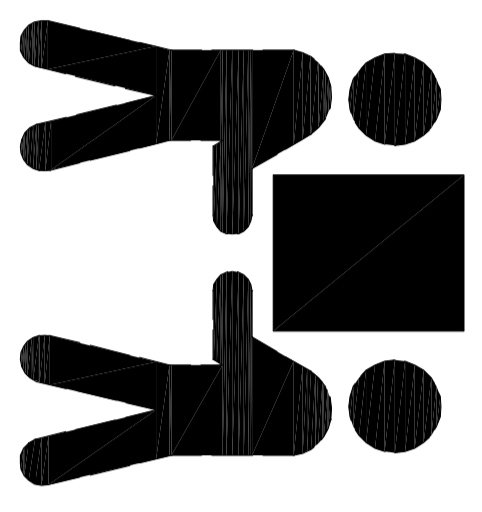
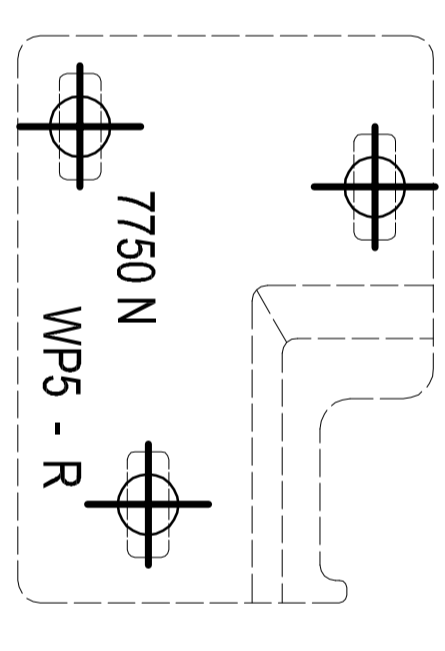
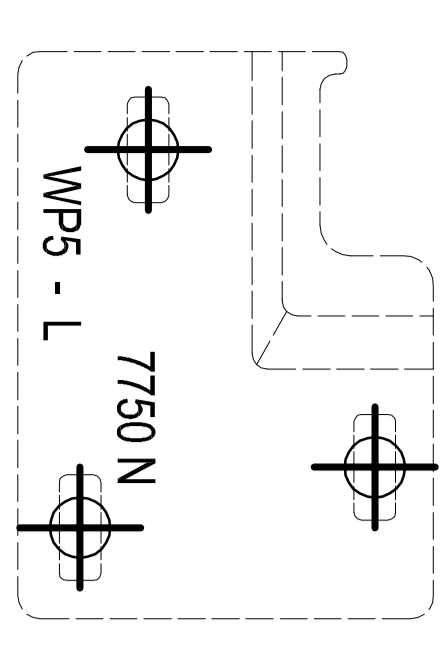
- 3. Drill holes using a suitable drill bit, marked

Further installation steps are in the manual supplied with product.

#### Warning symbol

Please check for any hidden pipes or electrical cables before drilling holes in the floor or walls. When using power tools always follow the manufacturer's user guide.

Ensure appropriate wall plugs (supplied) for solid or cavity are used



It is recommended that 2 persons carry out the installation of larger basin/vanity unit over 30Kgs gross weight

Individual product number:  
**Arena 700**  
 Weight Kgs  
**24Kgs**

# Crosswater

## MANUAL

### Tools required

Sissors



Tape measure



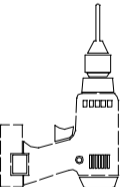
Spirit level



Masking tape



Drill



Drill bit 8mm



Phillips No 2 Screwdriver

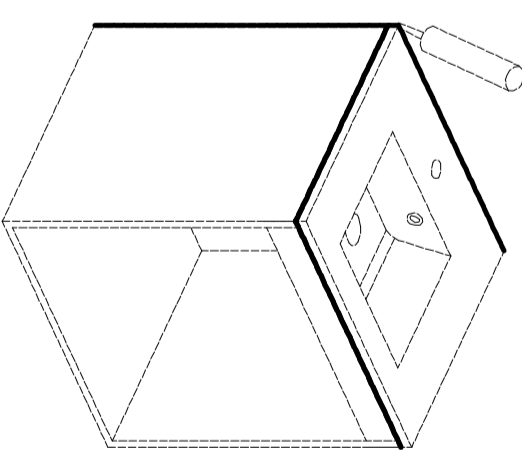
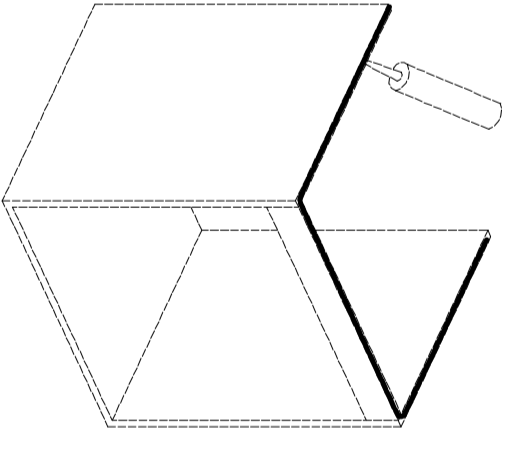
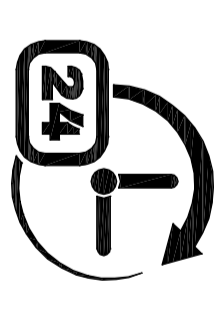


Clear silicone



### Sealing with silicone

Carefully apply silicone as shown below. Leave silicone to 24 hours to dry.



## CLEANING AND CARE INSTRUCTIONS FOR FURNITURE

The finished boards and edging used for Crosswater moisture resistant furniture have highly durable finishes and are easy to clean surfaces.

### Light Soiling

Clean the bathroom furniture with a soft clean cloth moistened in warm water and a little detergent. Do not use abrasive cleaners or hot steam. For stubborn stains, use a soft brush to remove any soiling. Then rub with a damp cloth moistened in clean water to remove the cleaning agent and avoid stains or streaks. Remove stubborn soiling with hot water and a little mild detergent if necessary.

Do the surface with a clean, dry soft cloth.

**DO NOT USE:**  
 ABRASIVE CLEANERS, SCOURING PADS, STEEL WOOL, etc.  
 SOLVENTS, BLEACH, AMMONIA, WAXES, POLISHES, WAXES,  
 FINISHING POLISH  
 WARNING:

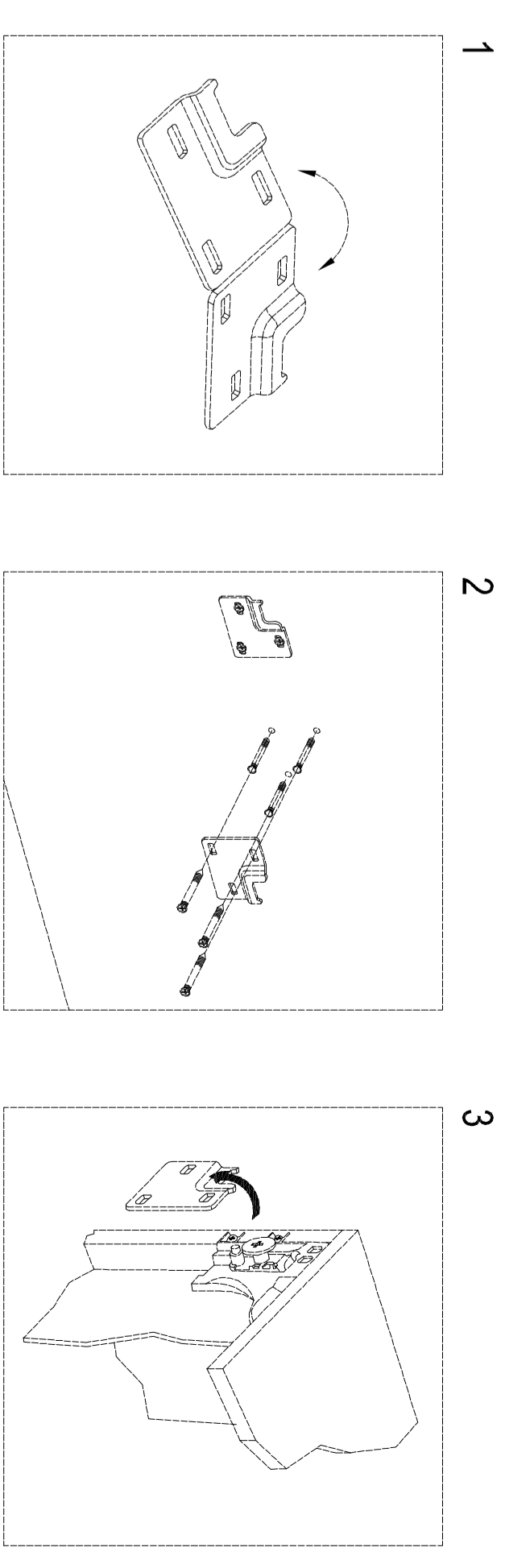
Avoid hot or sharp objects coming into contact with the furniture.

**IMPORTANT NOTE**  
 You should carefully read the recommendations for use provided by your cleaning product manufacturers. If in doubt, you can test the cleaning agent and care product in an inconspicuous area.

## INSTALLTION OF WALL BRACKETS AND HANGERS

### IMPORTANT

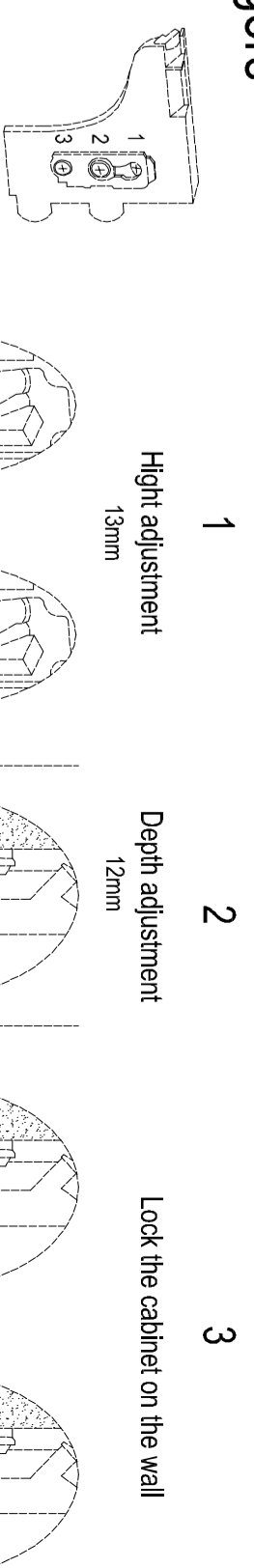
Only use wall brackets supplied.  
 The hanging kit supplied includes 8x x 40 screws and wall plugs for solid walls. Use correct wall plugs for cavity walls.



The mounting kit includes dowels size Ø8x40. Check whether they are suitable for your wall.

### Adjust hangers

Hanger 7750N



Hanger 2750N

