

Measurements in millimetres mm

Information updated May 2021

eI 0345 873 8840

Svelte Worktops



Code	Description	Finish	Width	Depth	Height	Weight
			mm	mm	mm	Kg
SE6000TMC	Solid Surface Worktop	Veined Carrara Marble Effect	606	347/450	25	14.00
SE8000TMC	Solid Surface Worktop	Veined Carrra Marble Effect	806	348/450	25	19.00
SE1000STMC	Solid Surface Worktop	Veined Carrra Marble Effect	1006	471	25	24.00

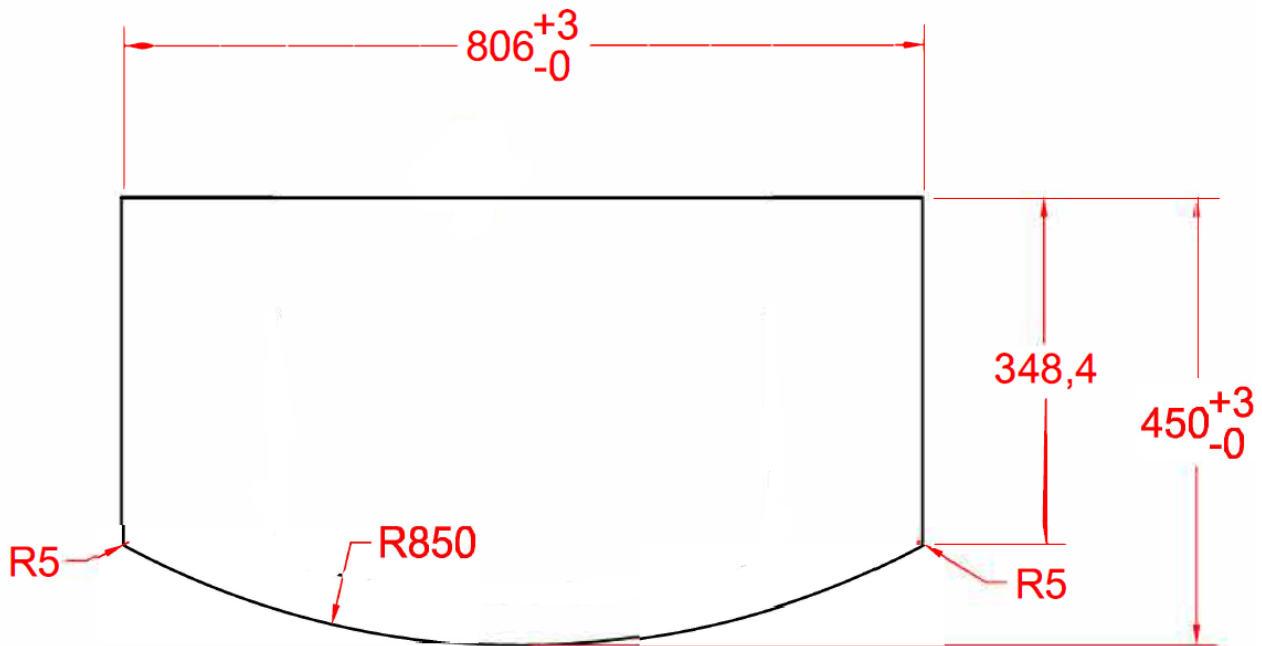
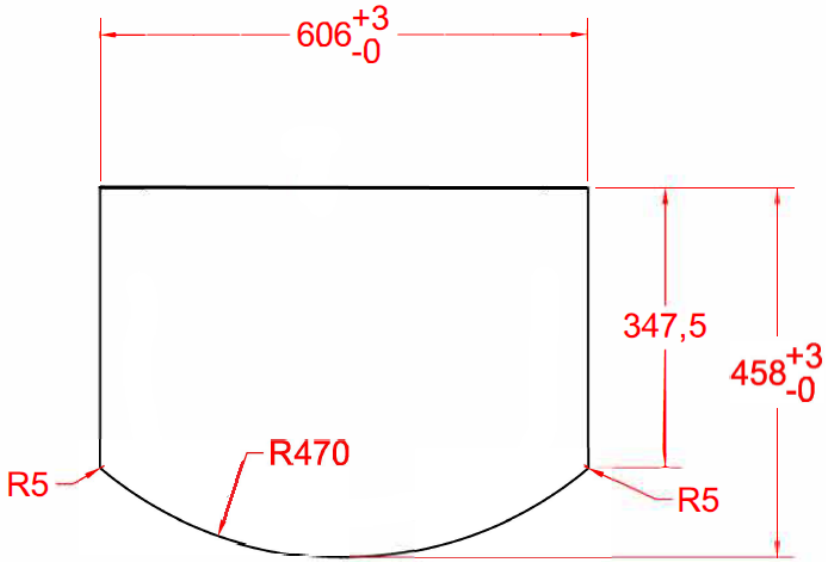
Recommended use: Domestic, residential
Installation: Mounted on furniture carcass only
Minerva® solid surface
Barcol hardness - EN593 Light Fastness
ISO 48923 Fungal resistance
Supply: Supplied undrilled for basin waste or tap fittings

Measurements in millimetres mm

Information updated May 2021

eI 0345 873 8840

Svelte Worktops



Measurements in millimetres mm

Information updated May 2021

eI 0345 873 8840

Svelte Worktops

