

# PRODUCT DATA SHEET

crosswater<sup>®</sup>



## PRODUCT CODE

GDHC001C

## RANGE

Glide II

## DESCRIPTION

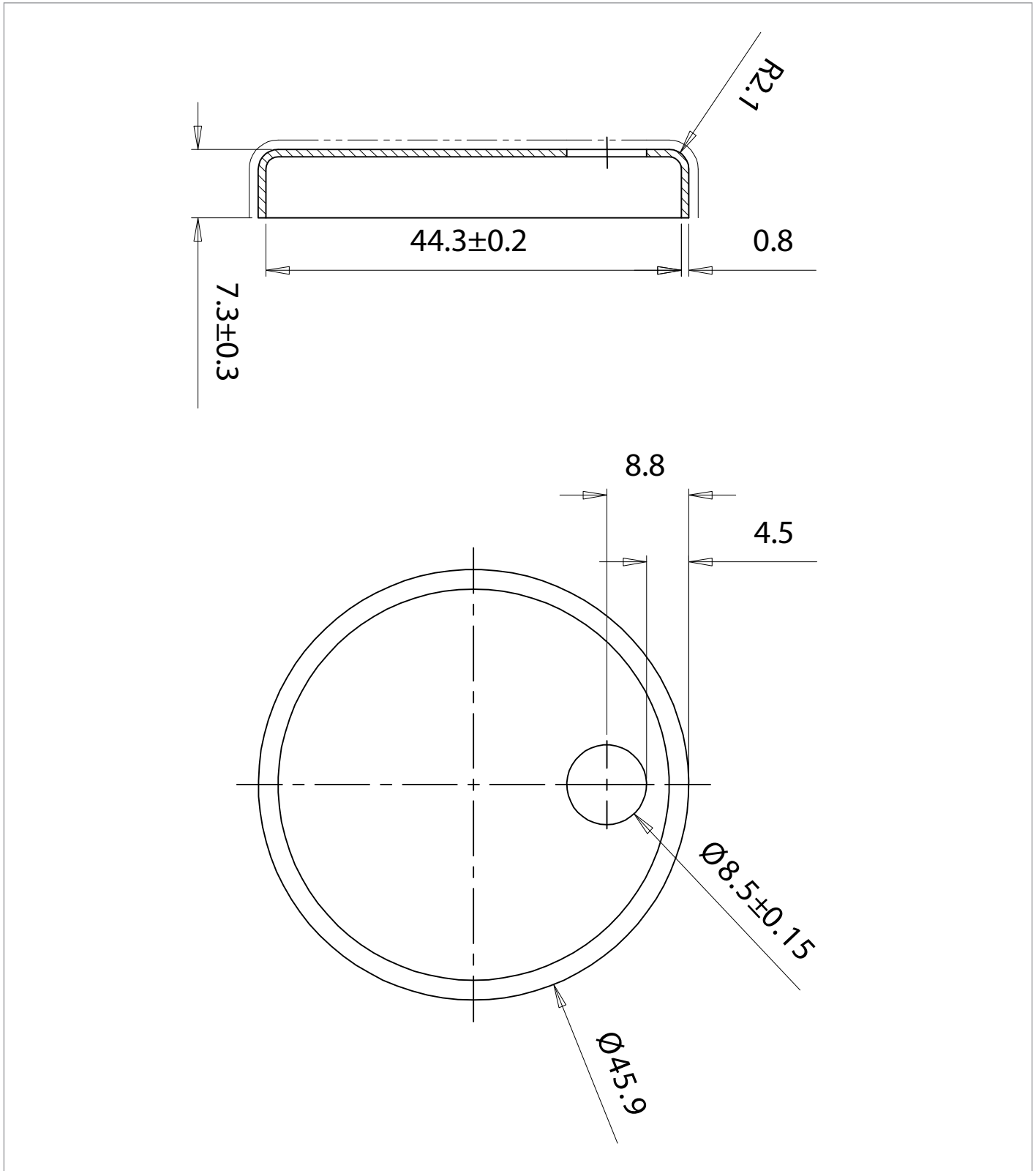
Glide II Decorative Hinge Cover Polished Stainless Steel

CATEGORY	Sanitaryware
WARRANTY DETAILS	2 Years
COLOUR	Polished Stainless Steel
FINISH APPLICATION	Polished
PRIMARY MATERIAL	304 Stainless Steel
PRODUCT WIDTH MM	45.9
PRODUCT HEIGHT MM	7.3
PRODUCT LENGTH MM	45.9
PRODUCT NET WEIGHT KG	0.04

## TECHNICAL DIMENSIONS

Dimensions in mm unless otherwise specified.

Tolerances (per material type) apply.



## SPARES LIST

Only the parts labelled are available as spares.

NO SPARES AVAILABLE