

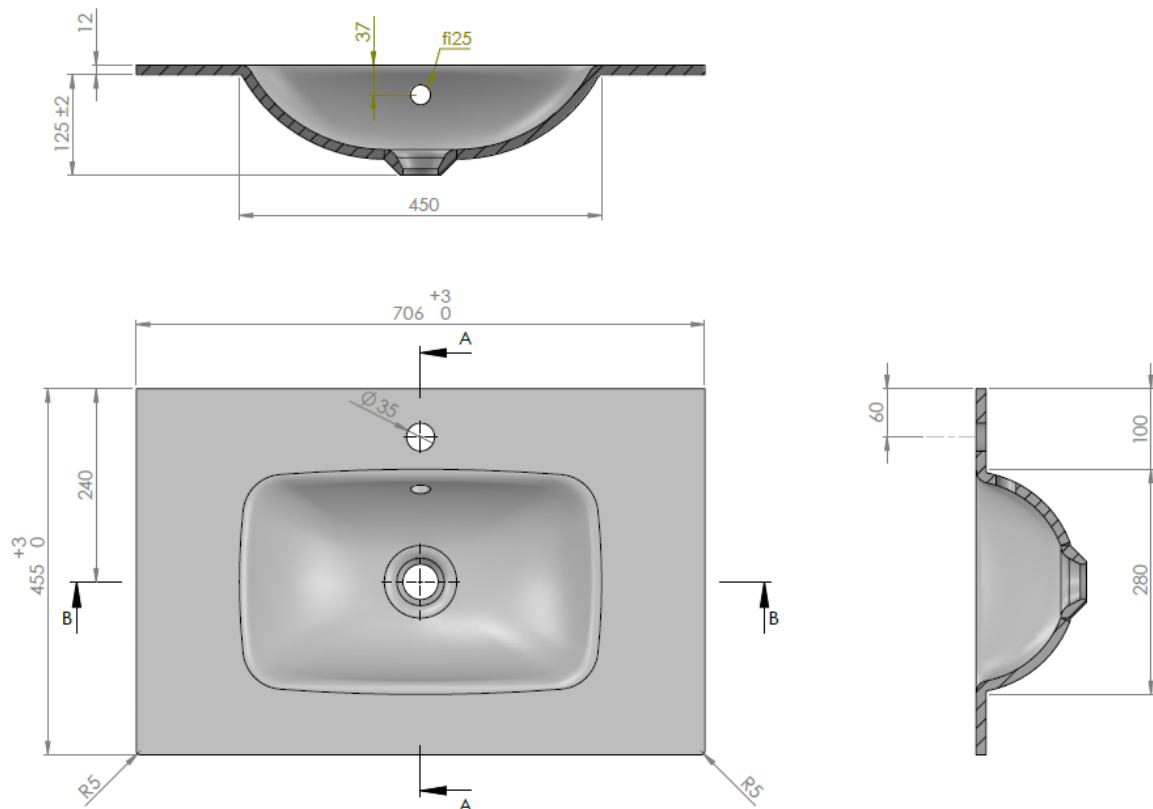
GLIDE II 700mm Glass Basin



TECHNICAL DATA SPECIFICATION

| | |
|--------------------------|--|
| CODE No | GL0710SIW+ No tap hole GL0711SIW+ Single Tap Hole |
| Compatible with: | GL7000Dxx+ |
| Recommended use | Domestic, hotel, residential |
| Material | Low Iron Soda Lime Silicate Glass EN572-9:2005 |
| Standards | EN 14688 – CL 0 EN31 |
| Required Fitting: | Universal Basin Waste BSW0260C-PRO0260X |
| Colour | Gloss finish Ice White |
| Specification | 1 centre tap hole or no tap hole Over flow, including chrome overflow cover |
| Fixing | Furniture carcass only |
| Weight | 10kg |
| Warranty | 10 years |

Furniture basin
EN 31/EN 14688 – CL 0
Dimensions w 706 x d 455 x h 12mm
Tested in accordance with EN 14688:2009, 4.3
Maximum water Temperature 70°C



Sizes detailed could have a variation of about +/- 5 % due to the changes to material characteristics during the firing processes. Exact measurements for individual installations can only be taken from the finished basin.