

PRODUCT DATA SHEET



PRODUCT CODE

WCC39X45C

RANGE

Toilet Cistern

DESCRIPTION

Slim Line Furniture Cistern Dual Flush
Chrome

WEBSITE LINK [Click Here](#)

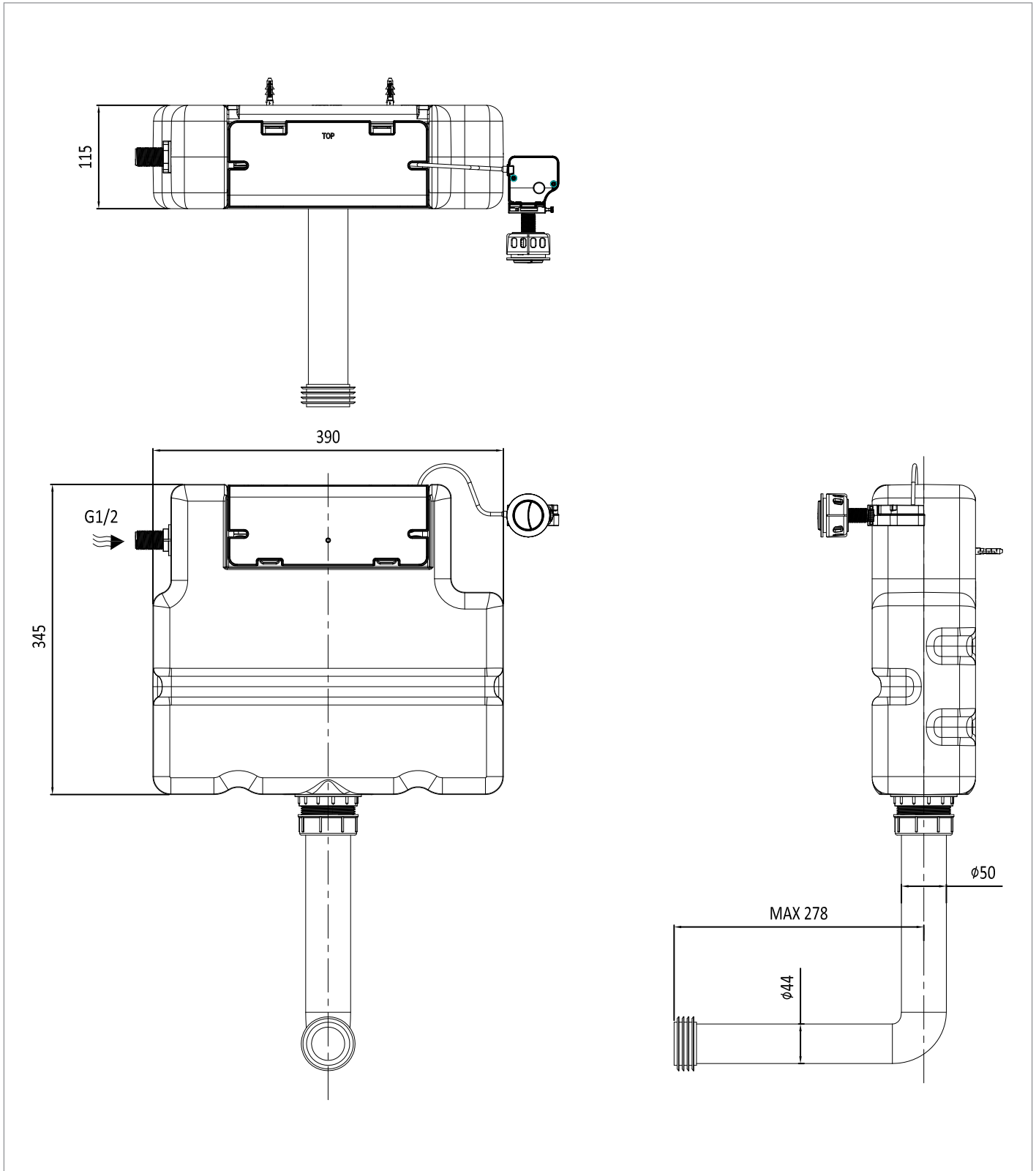
| | |
|-----------------------|-----------------------|
| CATEGORY | Sanitaryware |
| WARRANTY DETAILS | 2 Years |
| COLOUR | Chrome |
| FINISH APPLICATION | Electroplated |
| PRIMARY MATERIAL | Plastic |
| INSTALL TYPE | Wall Mounted |
| PRODUCT WIDTH MM | 390 |
| PRODUCT HEIGHT MM | 660 |
| PRODUCT DEPTH MM | 115 |
| PRODUCT NET WEIGHT KG | 1.45 |
| STANDARDS | EN 14055:2018 Class 2 |

| | |
|-------------------------|--------------|
| FIXINGS INCLUDED | Yes |
| FLUSH VOLUME | 6/4L |
| FIXING TYPE | Wall Mounted |
| CISTERN FLUSH MECHANISM | Dual Flush |

TECHNICAL DIMENSIONS

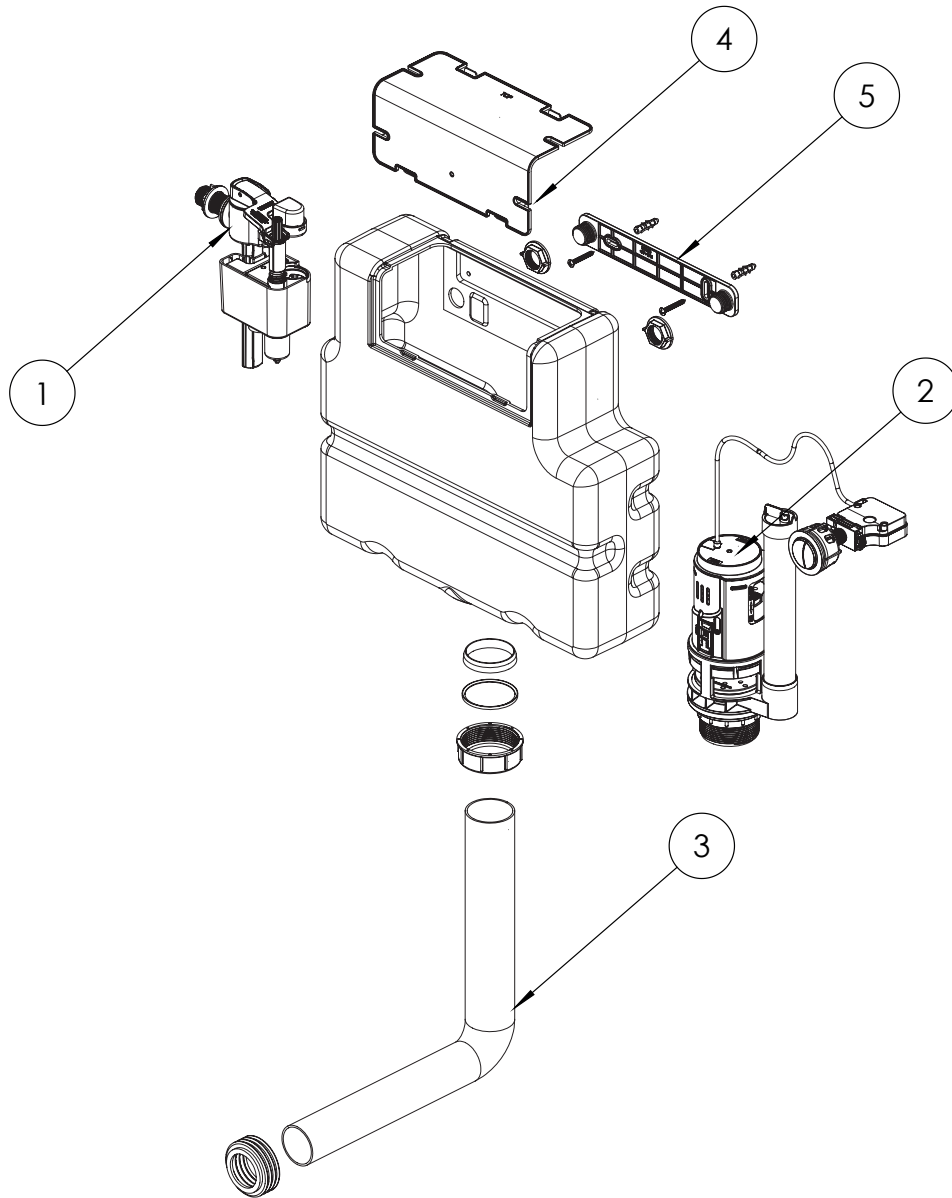
Dimensions in mm unless otherwise specified.

Tolerances (per material type) apply.



SPARES LIST

Only the parts labelled are available as spares.



| NUMBER | PART CODE | DESCRIPTION |
|--------|---------------|--------------------------------|
| 1 | A1423 | Fill valve for WCC39X45C |
| 2 | A2438 | Flush Valve for WCC39X45C |
| 3 | PG21017040A00 | Flush Pipe Pack for WCC39X45C |
| 4 | PG30100060A00 | Cistern cover for WCC39X45C |
| 5 | PG30100030A00 | Wall Bracket Kit for WCC39X45C |