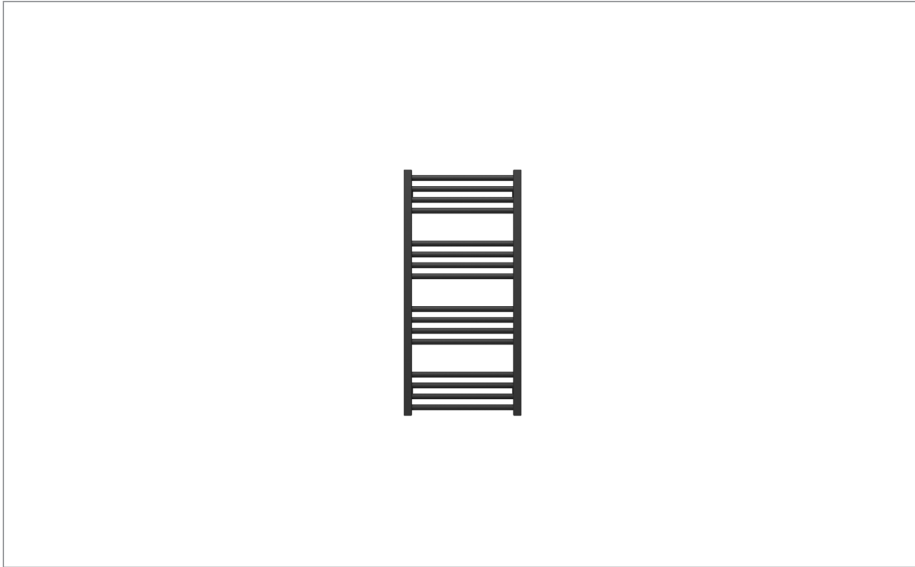


PRODUCT DATA SHEET



PRODUCT CODE

MP48X93MB

RANGE

MPRO

DESCRIPTION

MPRO Towel Warmer 430x900 Matt Black

WEBSITE LINK [Click Here](#)

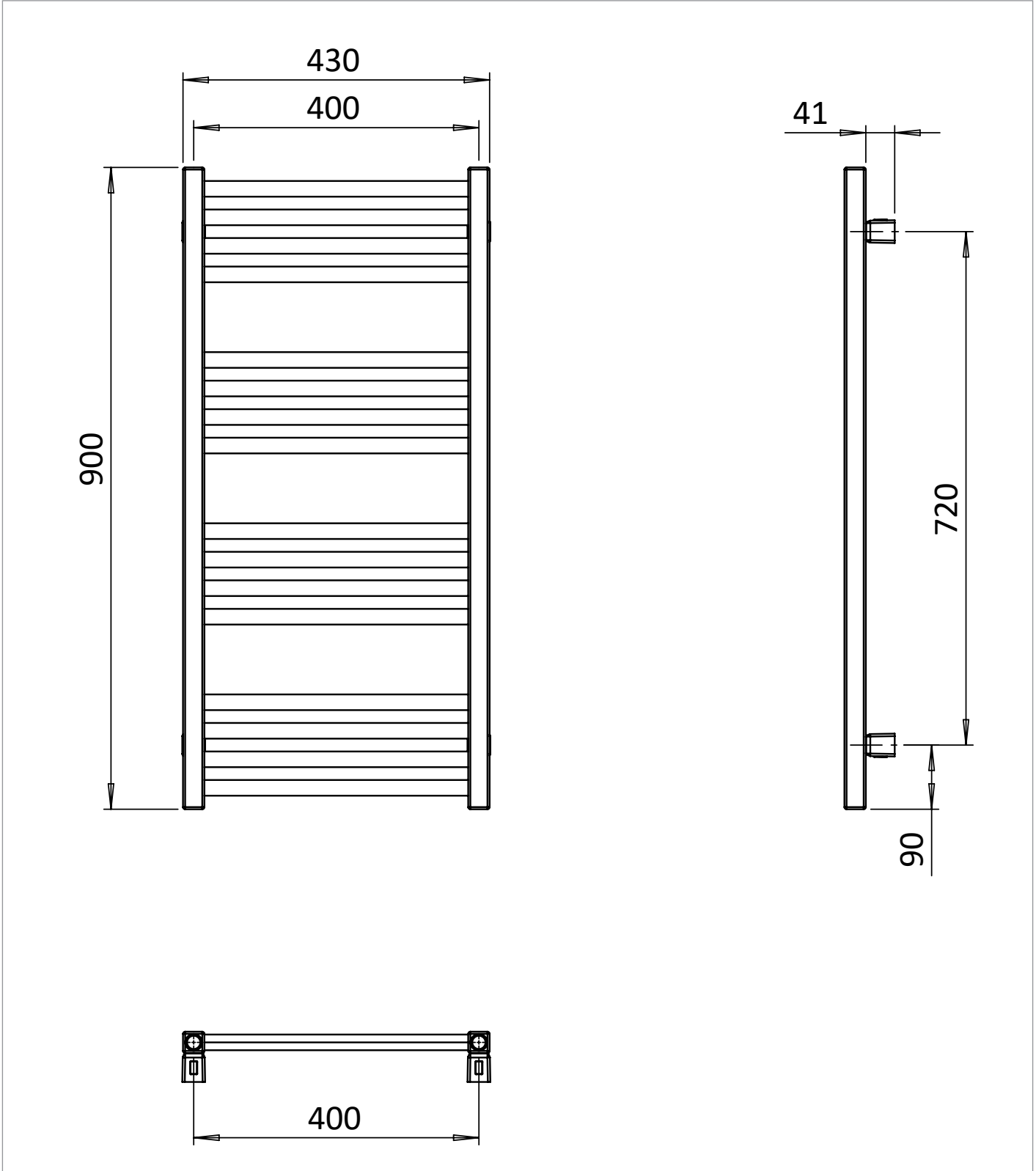
CATEGORY	Heating
WARRANTY DETAILS	15 Years
COLOUR	Matt Black
FINISH APPLICATION	Powder Coated
PRIMARY MATERIAL	Steel
INSTALL TYPE	Wall Mounted
PRODUCT WIDTH MM	430
PRODUCT HEIGHT MM	900
PRODUCT DEPTH MM	40
PRODUCT NET WEIGHT KG	6.32
STANDARDS	BS EN 442-1:2014

INLET CONNECTIONS THREAD HEATING	1/2" BSP
OUTPUT (WATTS)	342
MAX WORKING TEMPERATURE °C	95
FUEL TYPE	Dual
MAX WORKING PRESSURE (BAR)	1000
BAR COUNT	16
OUTPUT (BTU ΔT=50)	1167
CUBIC CAPACITY (L)	3.08
FULLY FILLED WEIGHT (KG)	6.32

TECHNICAL DIMENSIONS

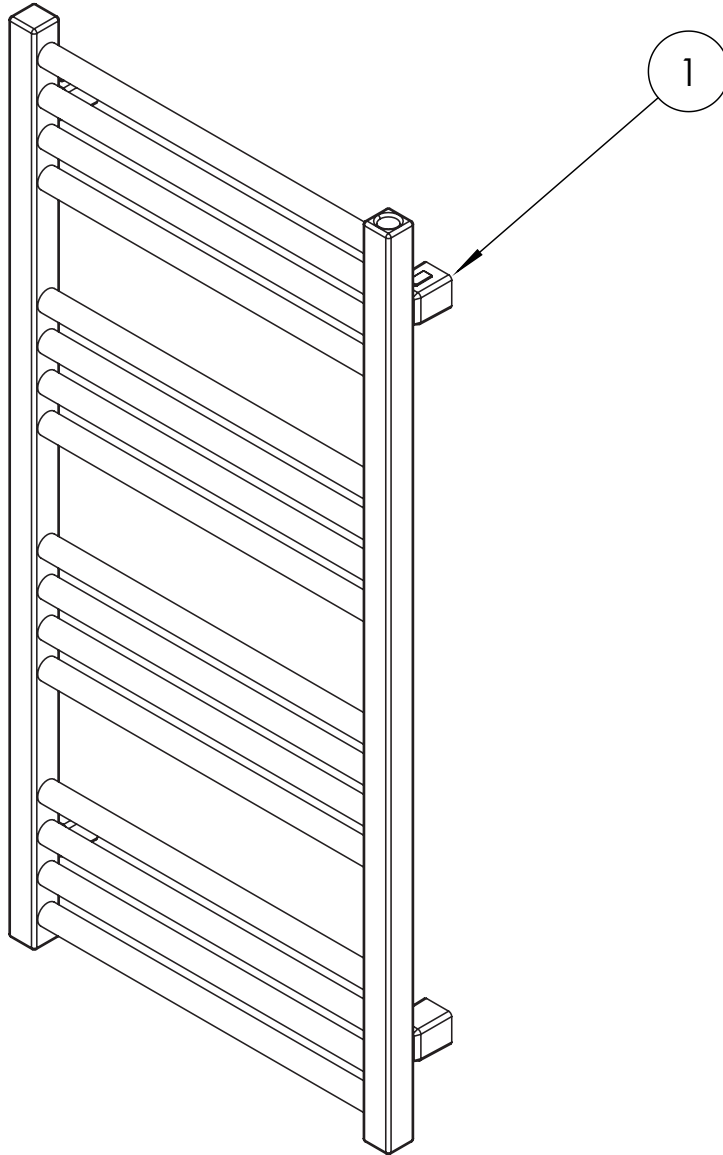
Dimensions in mm unless otherwise specified.

Tolerances (per material type) apply.



SPARES LIST

Only the parts labelled are available as spares.



NUMBER	PART CODE	DESCRIPTION
1	WRKMKP001-KRBA	MPRO Rail Fitting Pack Brushed Brass
	WRKMKP001-KS95	MPRO Rail Fitting Pack Matt Black
	WRKMK001_KS96	MPRO Rail Fitting Pack Matt White