

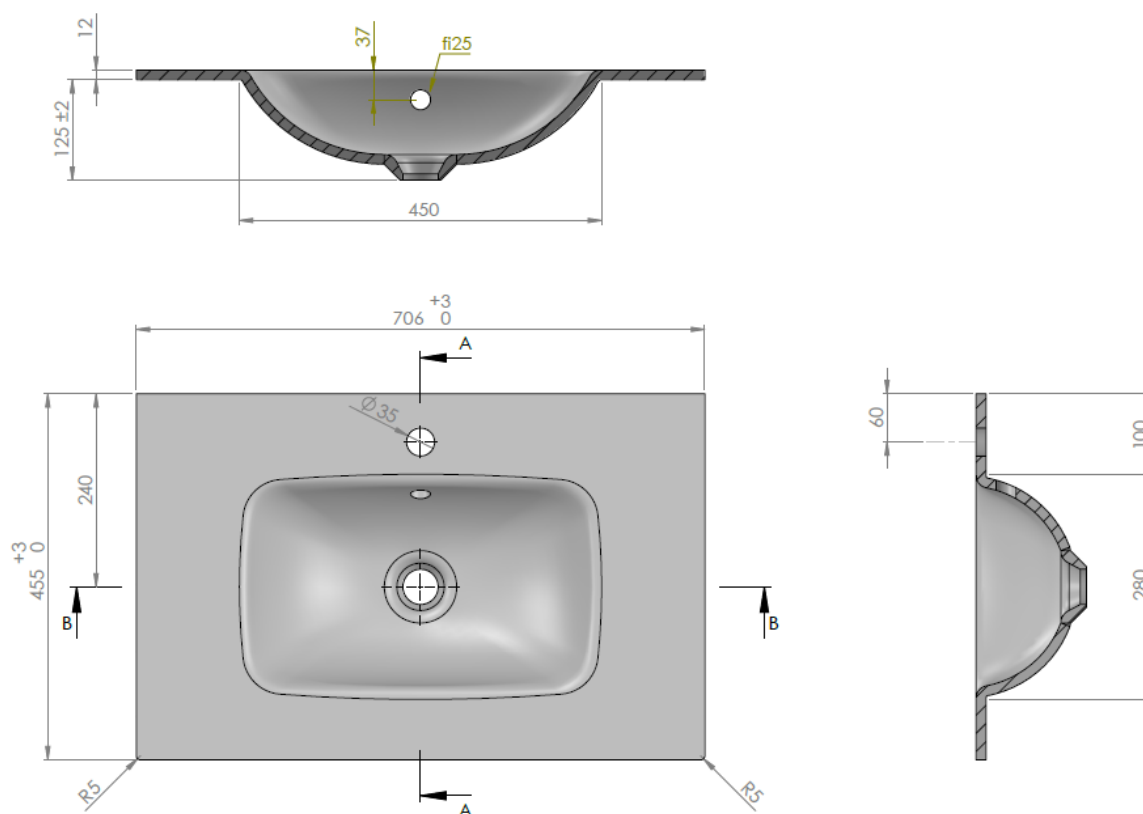
GLIDE II 700mm Glass Basin



TECHNICAL DATA SPECIFICATION

<b>CODE No</b>	GL0710SIW+ No tap hole GL0711SIW+ Single Tap Hole
<b>Compatible with:</b>	GL7000Dxx+
<b>Recommended use</b>	Domestic, hotel, residential
<b>Material</b>	Low Iron Soda Lime Silicate Glass EN572-9:2005
<b>Standards</b>	EN 14688 – CL 0 EN31
<b>Required Fitting:</b>	Universal Basin Waste BSW0260C-PRO0260X
<b>Colour</b>	Gloss finish Ice White
<b>Specification</b>	1 centre tap hole or no tap hole Over flow, including chrome overflow cover
<b>Fixing</b>	Furniture carcass only
<b>Weight</b>	10kg
<b>Warranty</b>	10 years

Furniture basin  
EN 31/EN 14688 – CL 0  
Dimensions w 706 x d 455 x h 12mm  
Tested in accordance with EN 14688:2009, 4.3  
Maximum water Temperature 70°C



Sizes detailed could have a variation of about +/- 5 % due to the changes to material characteristics during the firing processes. Exact measurements for individual installations can only be taken from the finished basin.