

PRODUCT DATA SHEET



PRODUCT CODE

TL120WNS

RANGE

3ONE6 Lever

DESCRIPTION

3ONE6 Lever Basin 2 Hole Set Wall Mounted Stainless Steel

WEBSITE LINK [Click Here](#)

CATEGORY	Brassware
WARRANTY DETAILS	15 Years
COLOUR	Stainless Steel
FINISH APPLICATION	Raw/Natural
PRIMARY MATERIAL	316 Stainless Steel
INSTALL TYPE	Wall Mounted
PRODUCT WIDTH MM	180
PRODUCT HEIGHT MM	188
PRODUCT NET WEIGHT KG	1.6
STANDARDS	BS EN 817:2008

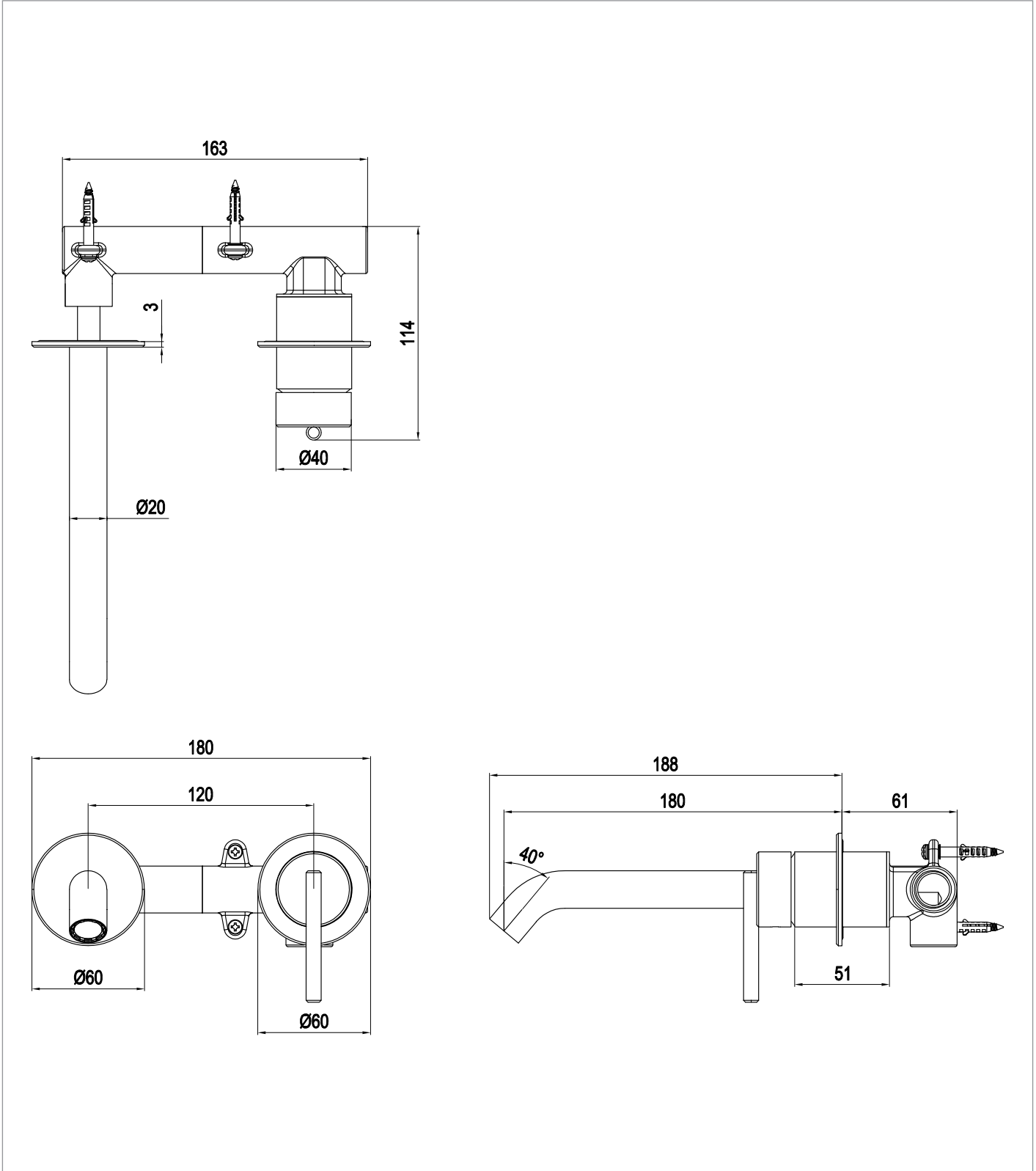
MINIMUM PRESSURE (BAR)	1
MAX WORKING PRESSURE (BAR)	5
NUMBER OF OUTLETS	1
NUMBER OF FUNCTIONS	1
HEADWORK	35mm Single lever ceramic cartridge
SPOUT PROJECTION	180
SWIVEL SPOUT	No
INLET CONNECTIONS THREAD	G1/2"
OUTLET CONNECTIONS THREAD	M18.5x1
FLOW REGULATOR	Cache M18.5x1
WASTE INCLUDED	No
ANTI-SCALD	No
ENERGY SAVING	No
SHOWER HOSE & HANDSET ARE INCLUDED	No

PRESSURE (BAR)	0.2	0.5	1	2	3	4	5
PRIMARY FLOWRATE			3.91	4.67	4.7	4.6	4.73
HANDSET FLOWRATE							
MESSAGE FLOW RATE							
AIR FLOW RATE							
WIRE FLOW RATE							
WATERFALL FLOW RATE							
MIST FLOW RATE							
HANDSPRAY FLOW RATE							

TECHNICAL DIMENSIONS

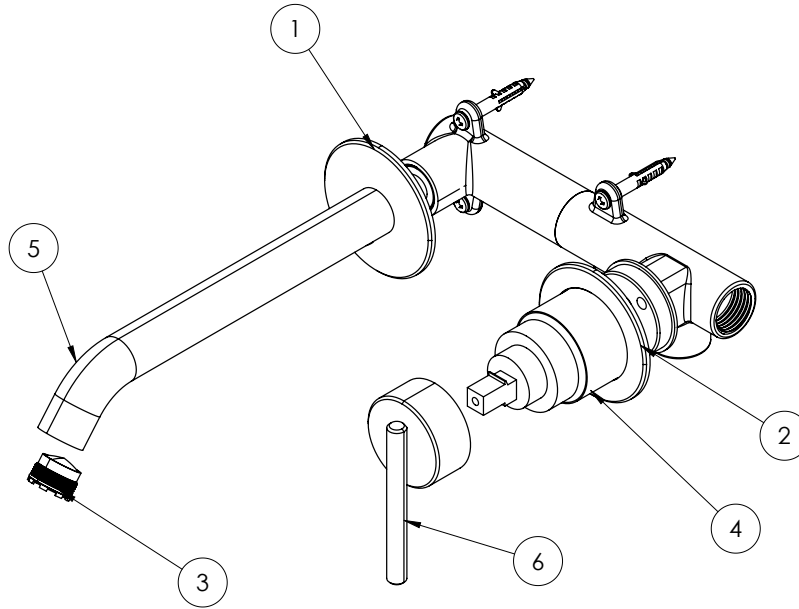
Dimensions in mm unless otherwise specified.

Tolerances (per material type) apply.



SPARES LIST

Only the parts labelled are available as spares.



NUMBER	PART CODE	DESCRIPTION
1	A060181302	TS120WNST/TS130WNST/TL120WNST Spout Backplate
	A060181301	TS120WNSF/TS130WNSF/TL120WNSF Spout Backplate
	A060181300	TS120WNS/TS130WNS/TL120WNS Spout Backplate
2	A060180202	TS120WNST/TL120WNST backplate of cartridge
	A060180201	TS120WNSF/TL120WNSF backplate of cartridge
	A060180200	TS120WNS/TL120WNS backplate of cartridge
3	B04004700	TL/120/130/135 TS120/130/135 Aerator
4	A060180400	TS120WNS/F/T Cartridge
5	A060181202	TS120_130WNST Spout (180)
	A060181200	TS120WNS/TS130WNS/TL120WNS Spout (180)
	A060181201	TS120WNSF/TS130WNSF/TL120WNSF Spout (180)
6	A060180702	TS120WNST Lever
	A065180201	TL120WNSF Lever
	A065180200	TL120WNS Lever