

PRODUCT DATA SHEET



PRODUCT CODE

BL003C+

RANGE

Belgravia

DESCRIPTION

Belgravia Tumbler Holder Chrome

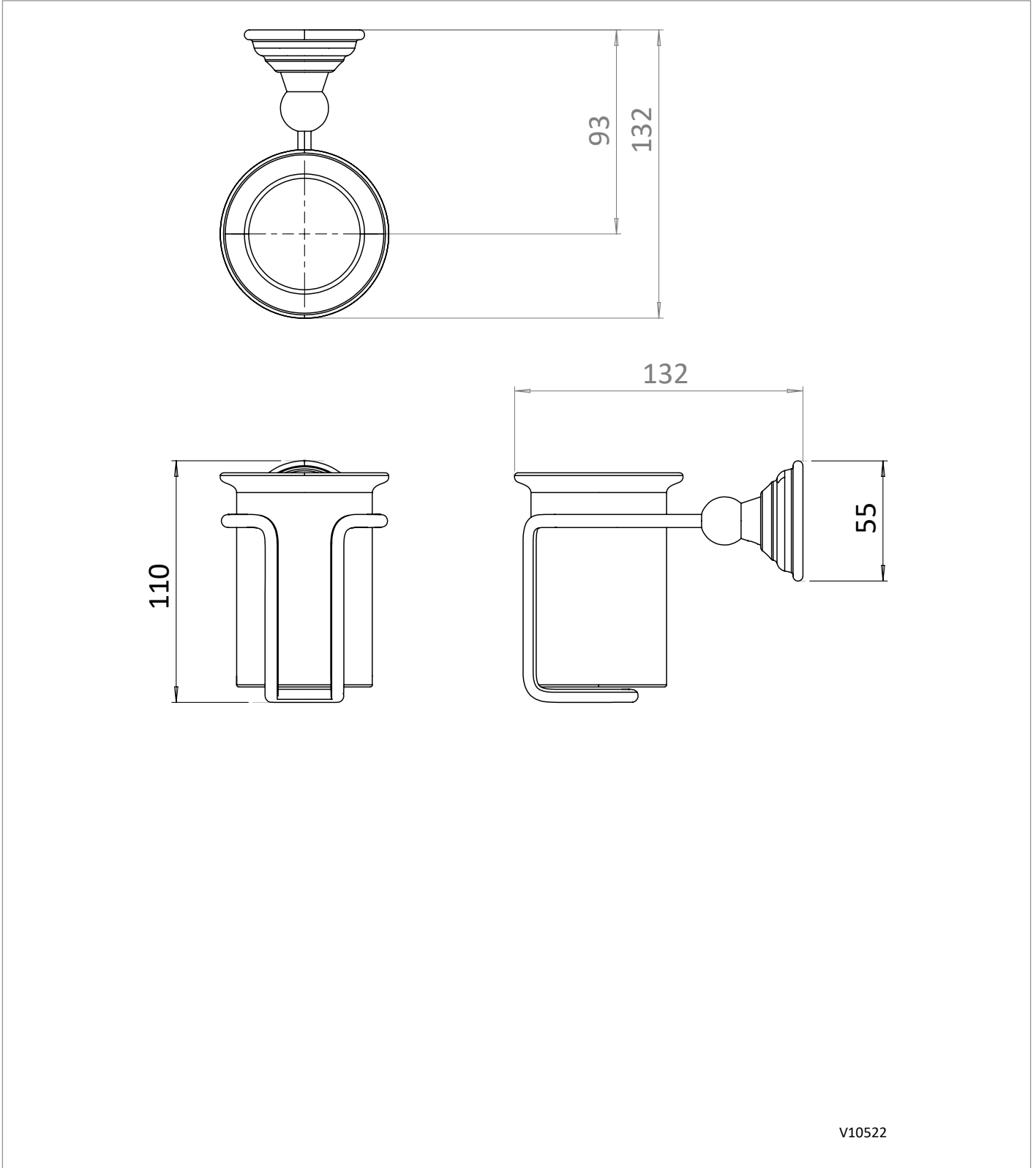
WEBSITE LINK [Click Here](#)

CATEGORY	Accessories
WARRANTY DETAILS	15 Years
COLOUR	Chrome
FINISH APPLICATION	Electroplated
PRIMARY MATERIAL	Brass
SECONDARY MATERIAL	Fine Fire Clay
INSTALL TYPE	Wall Mounted
PRODUCT WIDTH MM	78
PRODUCT HEIGHT MM	111
PRODUCT LENGTH MM	132
PRODUCT NET WEIGHT KG	0.47
STANDARDS	BS EN 248 : 2002

TECHNICAL DIMENSIONS

Dimensions in mm unless otherwise specified.

Tolerances (per material type) apply.



SPARES LIST

Only the parts labelled are available as spares.

SPARES AVAILABLE UPON REQUEST