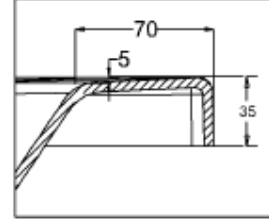
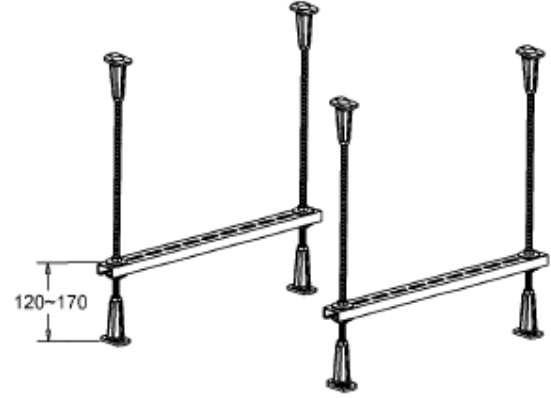
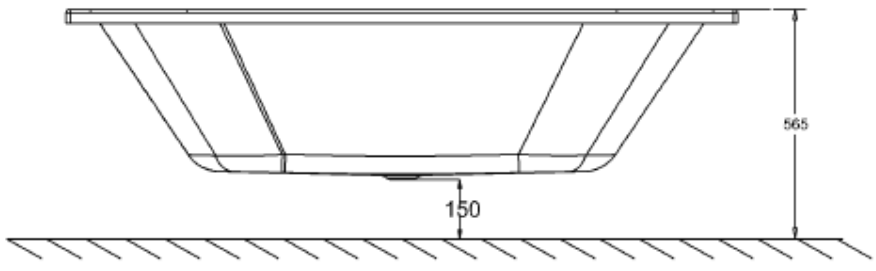


C
SCALE 1:2



D
SCALE 1:2



R8CW

Displaced capacity 95 litres

Weight empty 23.75kg

Recommended use	Domestic, hotel, residential
Material bath	3mm reinforced Lucite™ acrylic
Material base	Reinforced fibreglass 95% recycled composite fibre board
Material	8mm steel rod
Standards	BSEN14516:2006
Colour	White only
Specification	Supplied undrilled for mixer Overflow pre-drilled
Fixing	Requires leg set supplied
Optional Fittings	Front and end panels Chrome finish bath grips R37CW
Warranty	10 years

Compatible with Crosswater click clack wastes, deck mounted filler and bath overflow fillers. See www.crosswater.co.uk