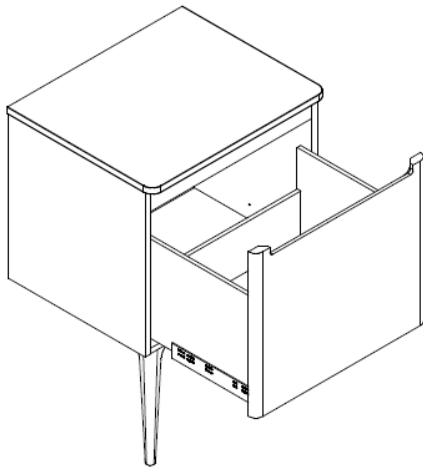
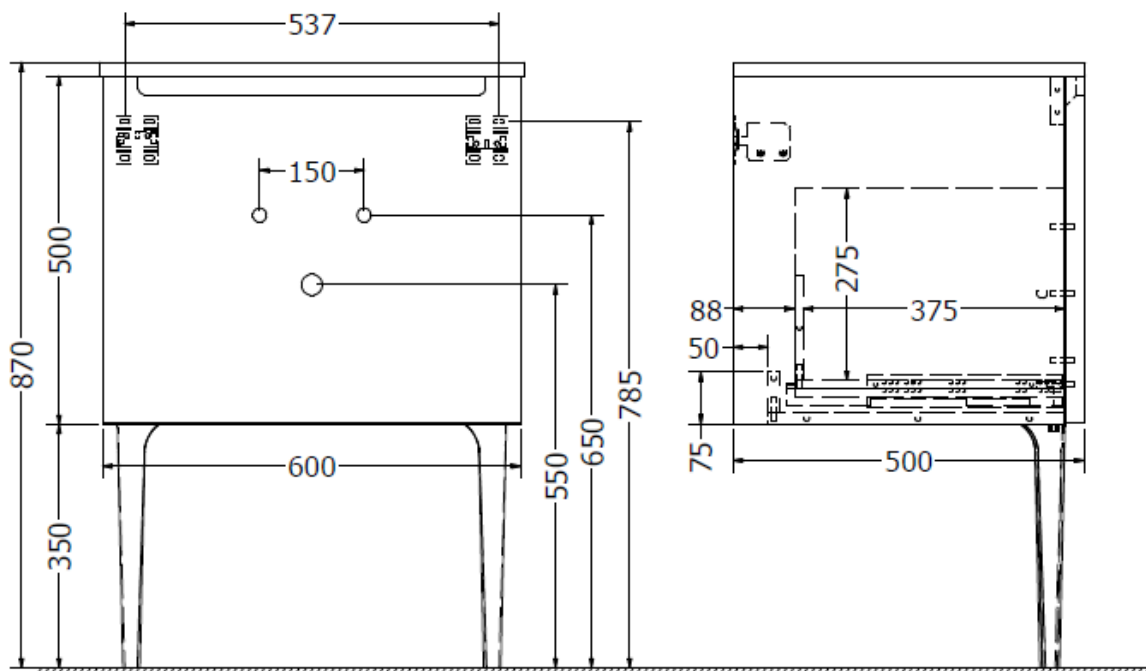


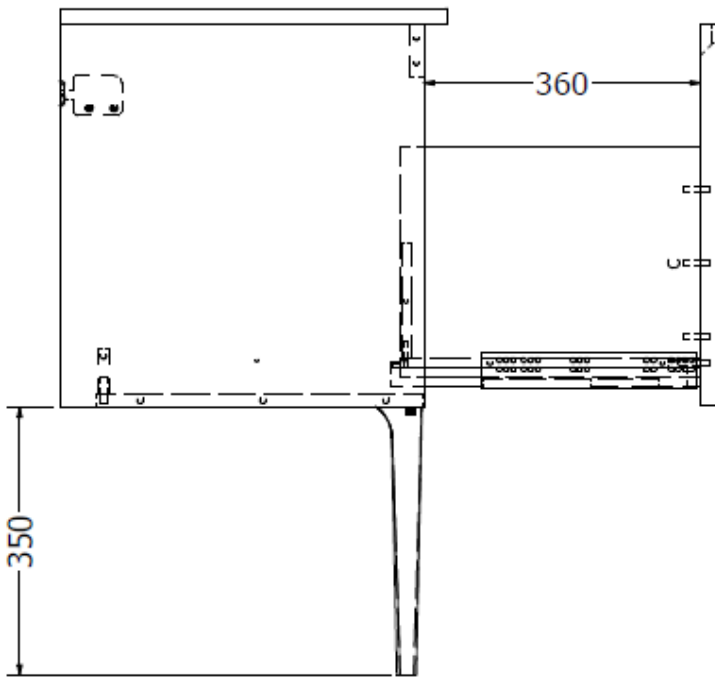
ARTIST 600mm FURNITURE



TECHNICAL DATA		SPECIFICATION
CODE No UNIT	ART6000DXX	Additional Information: The intended installation wall needs to be strong enough for the weight of the furniture and basin. Wall fixings for solid walls included. Laminate finishes/lacquer tested to ISO 22196 Measurement of antibacterial activity Graded Strong value of anti-bacterial effect A>3 Work top is produced from FSC compliant solid oak. Optional floor standing feet produced form FSC compliant solid beechwood.
Required	Solid Oak worktop ART6100TOAK	
Recommended use:	Domestic, residential	
Dimension Unit	w 600 x d 500 x h 500mm wall hung no top w 600 x d 500 x h 520mm wall hung with ART6100TOAK w 600 x d 500 x h 850mm floor standing no top w 600 x d 500 x h 870mm floor standing with top ART6100TOAK	
Installation:	Wall Hung or Floor standing with optional legs	
Materials:	Carcass and drawer 18mm MDF Drawer front 25mm thick MDF	
Specification:	Full extension soft close drawers - 40kg weight capacity 4 way drawer adjustment Anti-tip wall hangers 120Kg capacity	
Weight:	26kgs	
Fitting:	Wall hangers integrated into carcass 3 way adjustable wall brackets supplied	
Required Fitting:	Compatible to basin requirement	
Advised Fitting:	Space saving 50mm seal trap BTR0510W	
Option Accessories:	Floor standing legs and internal drawer organisers	
Warranty	10 years on furniture	



Drawer extension



Plan View

