

# PRODUCT DATA SHEET



## PRODUCT CODE

TL416FS

## RANGE

3ONE6 Lever

## DESCRIPTION

3ONE6 Lever Bath Floor Standing Filler  
Stainless Steel

WEBSITE LINK [Click Here](#)

CATEGORY	Brassware
WARRANTY DETAILS	15 Years
COLOUR	Stainless Steel
FINISH APPLICATION	Raw/Natural
PRIMARY MATERIAL	316 Stainless Steel
INSTALL TYPE	Floor Standing
PRODUCT WIDTH MM	153
PRODUCT HEIGHT MM	1018
PRODUCT NET WEIGHT KG	11.05
STANDARDS	BS EN 817:2008 : BS EN 113:2015

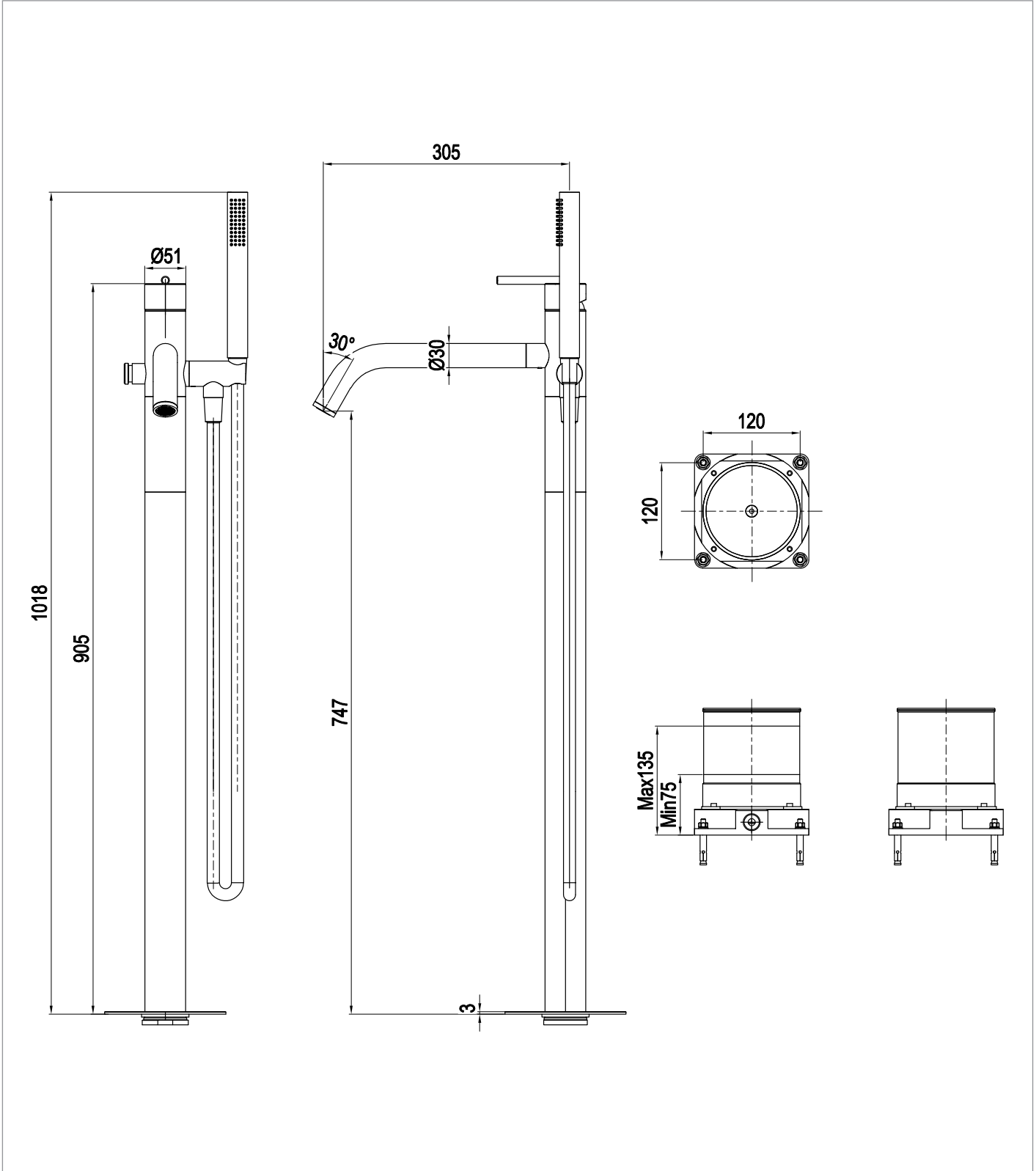
MINIMUM PRESSURE (BAR)	3
MAX WORKING PRESSURE (BAR)	5
NUMBER OF OUTLETS	2
NUMBER OF FUNCTIONS	1
HEADWORK	40mm Single lever ceramic cartridge
SPOUT PROJECTION	305
SWIVEL SPOUT	No
INLET CONNECTIONS THREAD	G1/2"
OUTLET CONNECTIONS THREAD	M24x1
FLOW REGULATOR	Cache full flow
WASTE INCLUDED	No
ANTI-SCALD	No
ENERGY SAVING	No
SHOWER HOSE & HANDSET ARE INCLUDED	Yes

PRESSURE (BAR)	0.2	0.5	1	2	3	4	5
PRIMARY FLOWRATE					19.15	22	24.7
HANDSET FLOWRATE			11.65	17.08	21.32	24.88	27.92
MESSAGE FLOW RATE							
AIR FLOW RATE							
WIRE FLOW RATE							
WATERFALL FLOW RATE							
MIST FLOW RATE							
HANDSPRAY FLOW RATE							

## TECHNICAL DIMENSIONS

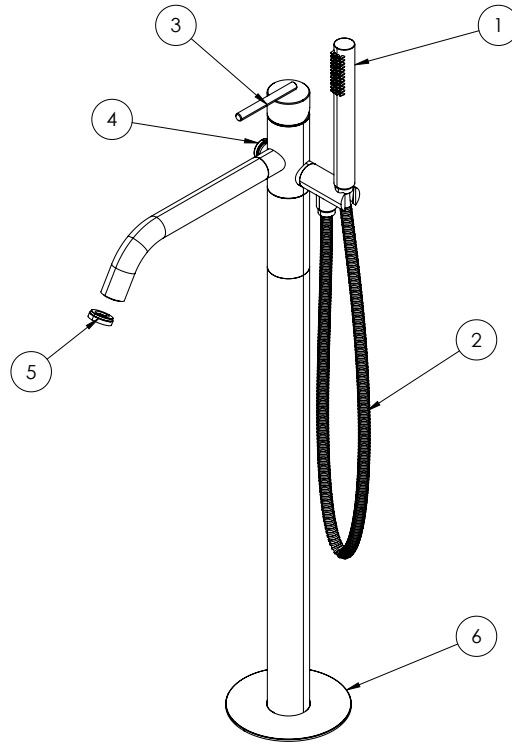
Dimensions in mm unless otherwise specified.

Tolerances (per material type) apply.



## SPARES LIST

Only the parts labelled are available as spares.



NUMBER	PART CODE	DESCRIPTION
1	C10002405B-BB	TS963_416 Slate Hand Shower
	C10002411B	TS963_416 Brushed Brass Hand Shower
	C10002401B	TS963_416 Hand Shower
2	B20000109B	TS963_416 Slate Hose
	B20000121	TS963_416 Brushed Brass Hose
	B20000103	TS963_416 Hose
3	A045231702	TL416FST Lever
	A045231701	TL416FSF Lever
	A045231700	TL416FS Lever
4	A045230800	TS416FST Diverter
	A045230800	TS416FS Diverter
	A045230800	TS416FSF Diverter
5	A045231200	TS416Fx Aerator
6	A045231602	TS416FST Base Plate
	A045231601	TS416FSF Base Plate
	A045231600	TS416FS Base Plate