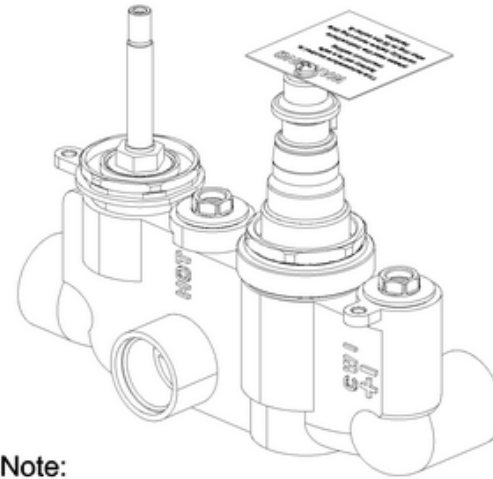
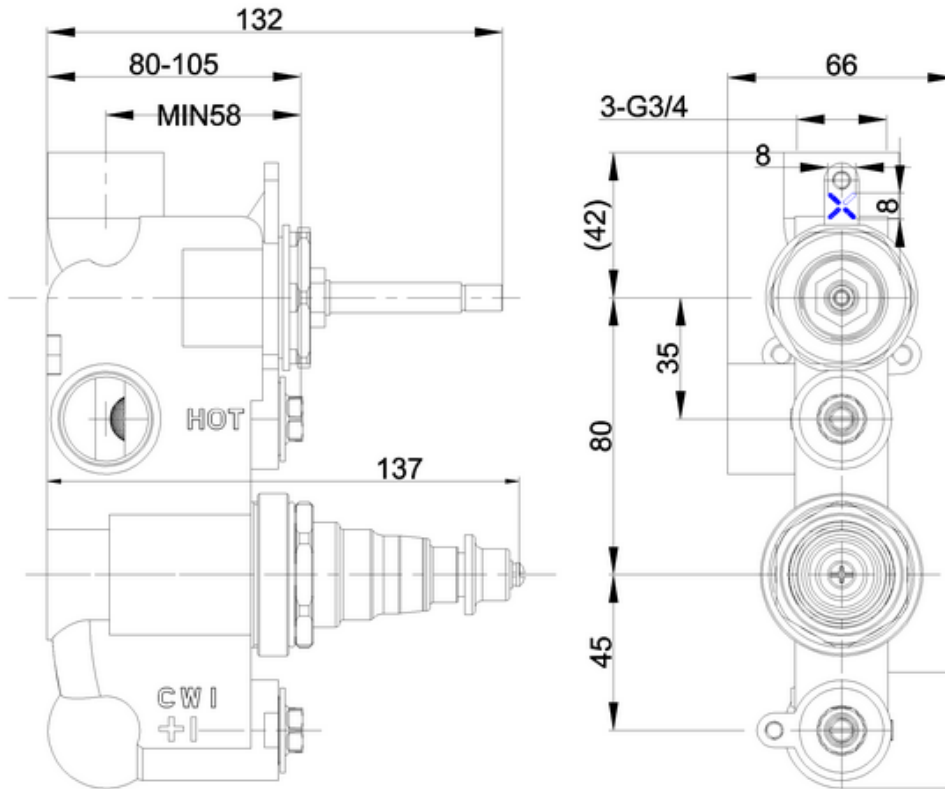


WLBP1000R+ - 1 Outlet Thermo Valve NO Collars Portrait



Note:

For the each part, the dimension tolerance should be followed the list below.

| | | | |
|---------|-----------|-----------|------|
| 0 ~ 100 | 101 ~ 200 | 201 ~ 400 | ≥401 |
| ±1 | ±2 | ±3 | ±5 |

For the finished assembly, the dimension tolerance should be followed the list below.

| | |
|---------|------|
| 0 ~ 300 | ≥301 |
| ±2 | ±5 |