

# PRODUCT DATA SHEET

crosswater<sup>®</sup>



## PRODUCT CODE

OXQSFC0900\_LC

## RANGE

Optix 10

## DESCRIPTION

Optix Quadrant 900x900 Box C Left Hand Moving Panel Brushed Brass

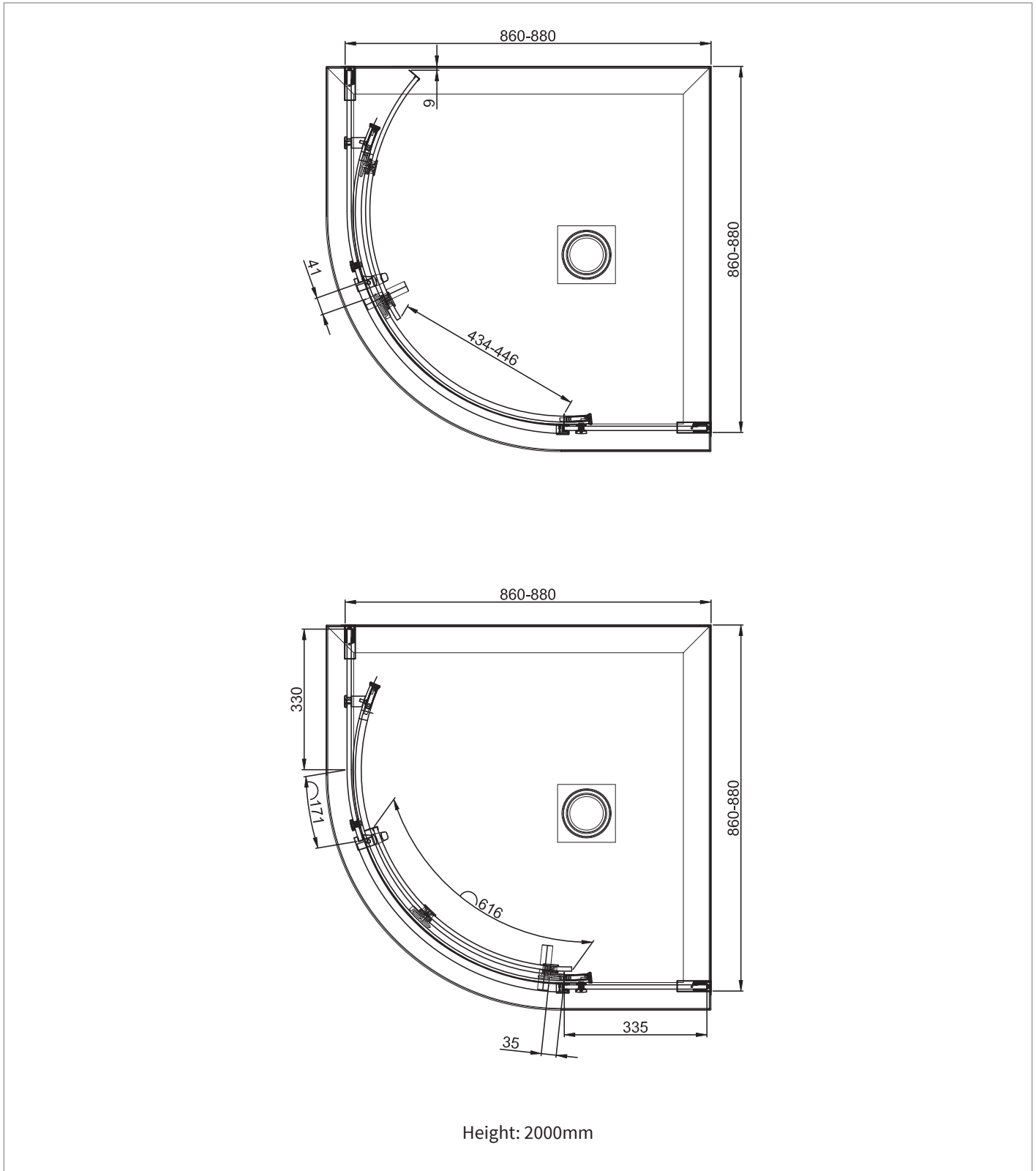
CATEGORY	Showering
WARRANTY DETAILS	Lifetime
COLOUR	Brushed Brass
FINISH APPLICATION	PVD
PRIMARY MATERIAL	Glass
INSTALL TYPE	Wall Mounted
PRODUCT WIDTH MM	900
PRODUCT HEIGHT MM	2000
PRODUCT LENGTH MM	900
PRODUCT NET WEIGHT KG	38
STANDARDS	BS EN 14516:2015+A1:2018

HANDING SHOWERING	Left Hand
GLASS THICKNESS	10mm
EASY CLEAN	Yes
MAGNETIC DOOR STRIPS	No
POWER SHOWER PROOF	Yes
NUMBER OF DOORS	1
SOFT CLOSING DOORS	Yes
SAFETY GLASS	Yes
REMOVABLE SEALS	Yes
QUICK RELEASE ROLLERS	Yes
WET ROOM COMPATIBLE	Yes
DOOR ADJUSTMENT	860-880mm

## TECHNICAL DIMENSIONS

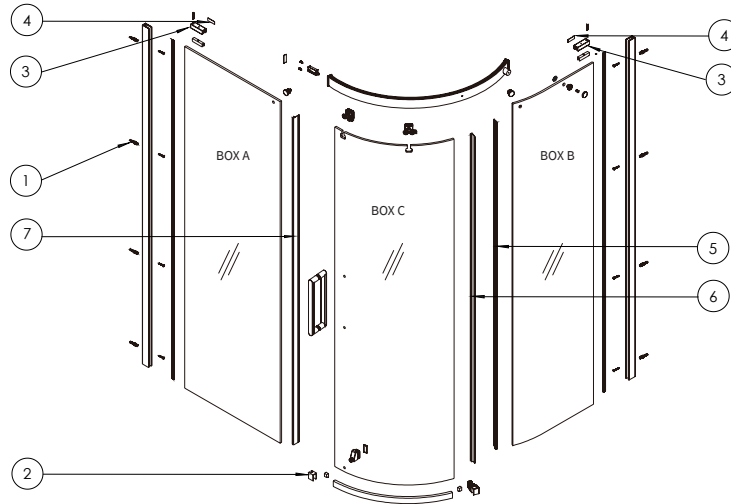
Dimensions in mm unless otherwise specified.

Tolerances (per material type) apply.



## SPARES LIST

Only the parts labelled are available as spares.



NUMBER	PART CODE	DESCRIPTION
1	OPQPACKABZ	Optix Quad Blister Pack A Brushed Bronze
	OPQPACKAF	Optix Quad Blister Pack A Brushed Brass
	OPQPACKAT	Optix Quad Blister Pack A Slate
	OPQPACKAV	Optix Quad Blister Pack A Brushed Stainless Steel
2	OXQBOTPROCAPLBZ	Optix Quad Bottom Profile Cap (L) Brushed Bronze
	OXQBOTPROCAPLF	Optix Quad Bottom Profile Cap (L) Brushed Brass
	OXQBOTPROCAPLT	Optix Quad Bottom Profile Cap (L) Slate
	OXQBOTPROCAPLV	Optix Quad Bottom Profile Cap (L) Brushed Stainless Steel
	OXQBOTPROCAPRBZ	Optix Quad Bottom Profile cap (R) Brushed Bronze
	OXQBOTPROCAPRF	Optix Quad Bottom Profile cap (R) Brushed Brass
	OXQBOTPROCAPRT	Optix Quad Bottom Profile cap (R) Slate
	OXQBOTPROCAPRV	Optix Quad Bottom Profile cap (R) Brushed Stainless Steel
3	OXQBRACEBARLBZ	Optix Quad Bracing Bar (L) Brushed Bronze
	OXQBRACEBARLF	Optix Quad Bracing Bar (L) Brushed Brass
	OXQBRACEBARLT	Optix Quad Bracing Bar (L) Slate
	OXQBRACEBARLV	Optix Quad Bracing Bar (L) Brushed Stainless Steel
	OXQBRACEBARRBZ	Optix Quad Bracing Bar (R) Brushed Bronze
	OXQBRACEBARRF	Optix Quad Bracing Bar (R) Brushed Brass
	OXQBRACEBARRT	Optix Quad Bracing Bar (R) Slate
	OXQBRACEBARRV	Optix Quad Bracing Bar (R) Brushed Stainless Steel
4	OXQBRACECOVERBZ	Optix Quad Bracing Bar Screw Cover Brushed Bronze
	OXQBRACECOVERF	Optix Quad Bracing Bar Screw Cover Brushed Brass
	OXQBRACECOVERT	Optix Quad Bracing Bar Screw Cover Slate
	OXQBRACECOVERV	Optix Quad Bracing Bar Screw Cover Brushed Stainless Steel
5	OXQFCURSEAL	Optix Quad Fixed Curved Panel Vertical Seal
6	OXQMCURSEAL	Optix Quad Moving Curved Glass Vertical Seal
7	OXQSEALCLEAR	Optix Quad Flat Glass Seal Clear