

PRODUCT DATA SHEET



PRODUCT CODE

GBS400C

RANGE

Grab Bars

DESCRIPTION

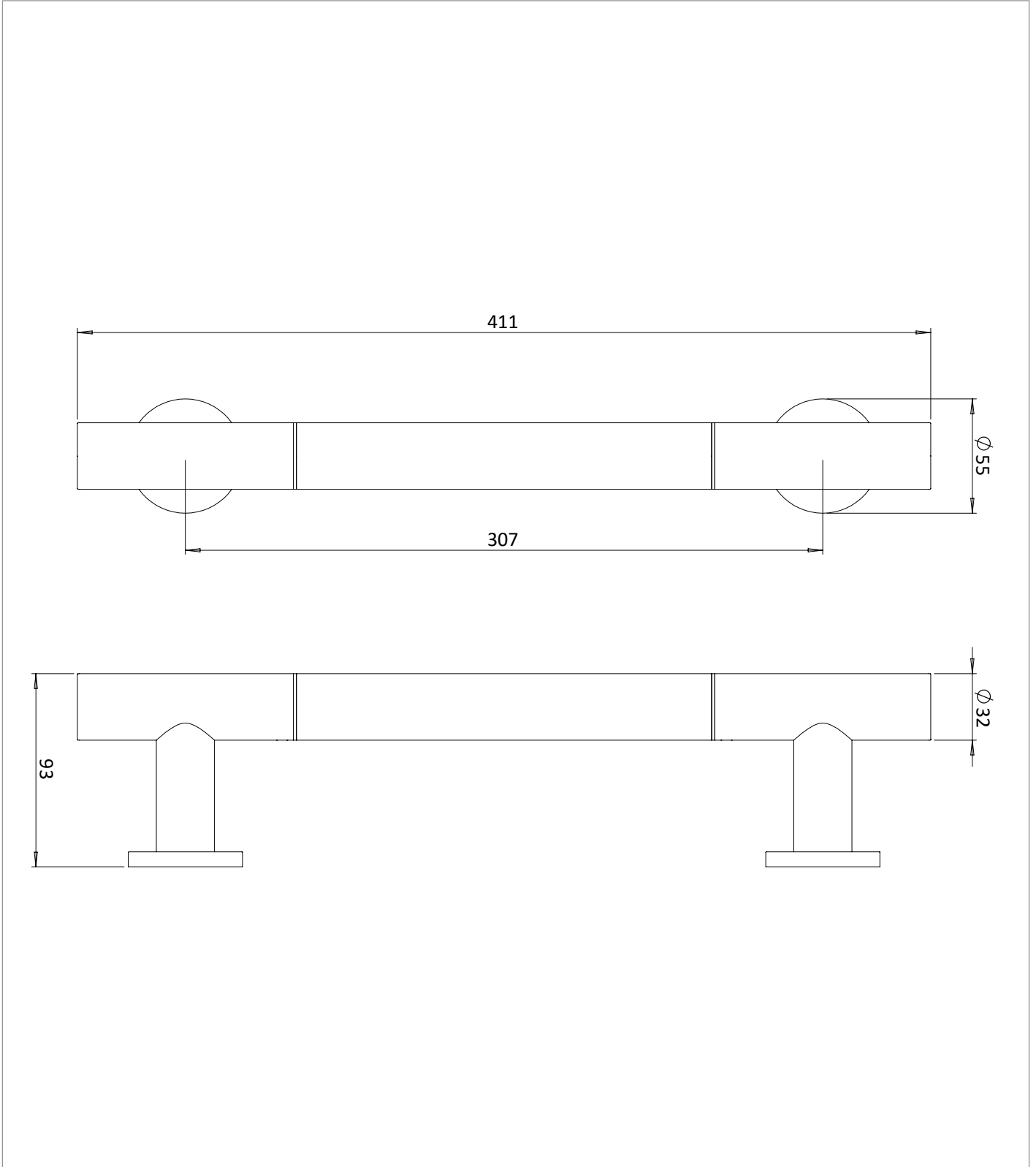
Straight Grab Bar 400mm Chrome

CATEGORY	Accessories
WARRANTY DETAILS	15 Years
COLOUR	Chrome
FINISH APPLICATION	Electroplated
PRIMARY MATERIAL	304 Stainless Steel
SECONDARY MATERIAL	Plastic
INSTALL TYPE	Wall Mounted
PRODUCT WIDTH MM	411
PRODUCT HEIGHT MM	55
PRODUCT DEPTH MM	93
PRODUCT NET WEIGHT KG	1.15

TECHNICAL DIMENSIONS

Dimensions in mm unless otherwise specified.

Tolerances (per material type) apply.



SPARES LIST

Only the parts labelled are available as spares.

SPARES AVAILABLE UPON REQUEST