

PRODUCT DATA SHEET



PRODUCT CODE

WCCBUTTONF

RANGE

Flush Plate

DESCRIPTION

Flush Button & Cable Brushed Brass

WEBSITE LINK [Click Here](#)

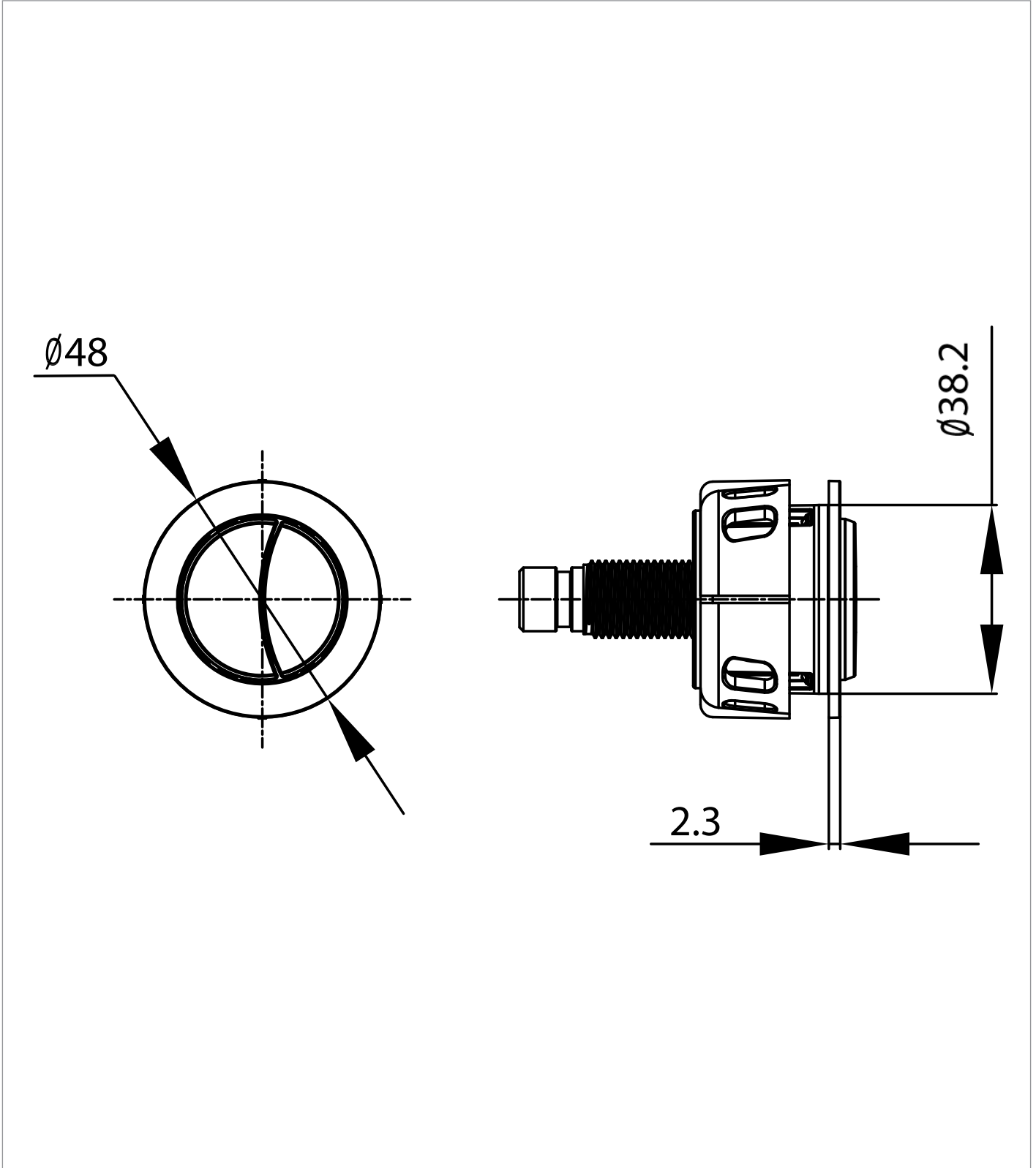
CATEGORY	Sanitaryware
WARRANTY DETAILS	2 Years
COLOUR	Brushed Brass
FINISH APPLICATION	PVD
PRIMARY MATERIAL	ABS
INSTALL TYPE	Wall Mounted
PRODUCT WIDTH MM	48
PRODUCT HEIGHT MM	48
PRODUCT DEPTH MM	69
PRODUCT NET WEIGHT	0.25

FIXINGS INCLUDED	Yes
CISTERN FLUSH MECHANISM	Dual Flush

TECHNICAL DIMENSIONS

Dimensions in mm unless otherwise specified.

Tolerances (per material type) apply.



SPARES LIST

Only the parts labelled are available as spares.

--