

PRODUCT DATA SHEET



PRODUCT CODE

FOMOD440TRIMM

RANGE

Module

DESCRIPTION

Module Foile 2 Handle With Bath Spout & Handshower Matt Black

WEBSITE LINK [Click Here](#)

CATEGORY	Brassware
WARRANTY DETAILS	15 Years
COLOUR	Matt Black
FINISH APPLICATION	Epoxy Coated
PRIMARY MATERIAL	Brass
INSTALL TYPE	Wall Mounted
PRODUCT WIDTH MM	385
PRODUCT HEIGHT MM	280
PRODUCT DEPTH MM	277
PRODUCT NET WEIGHT KG	2.4
STANDARDS	BS EN 200:2008

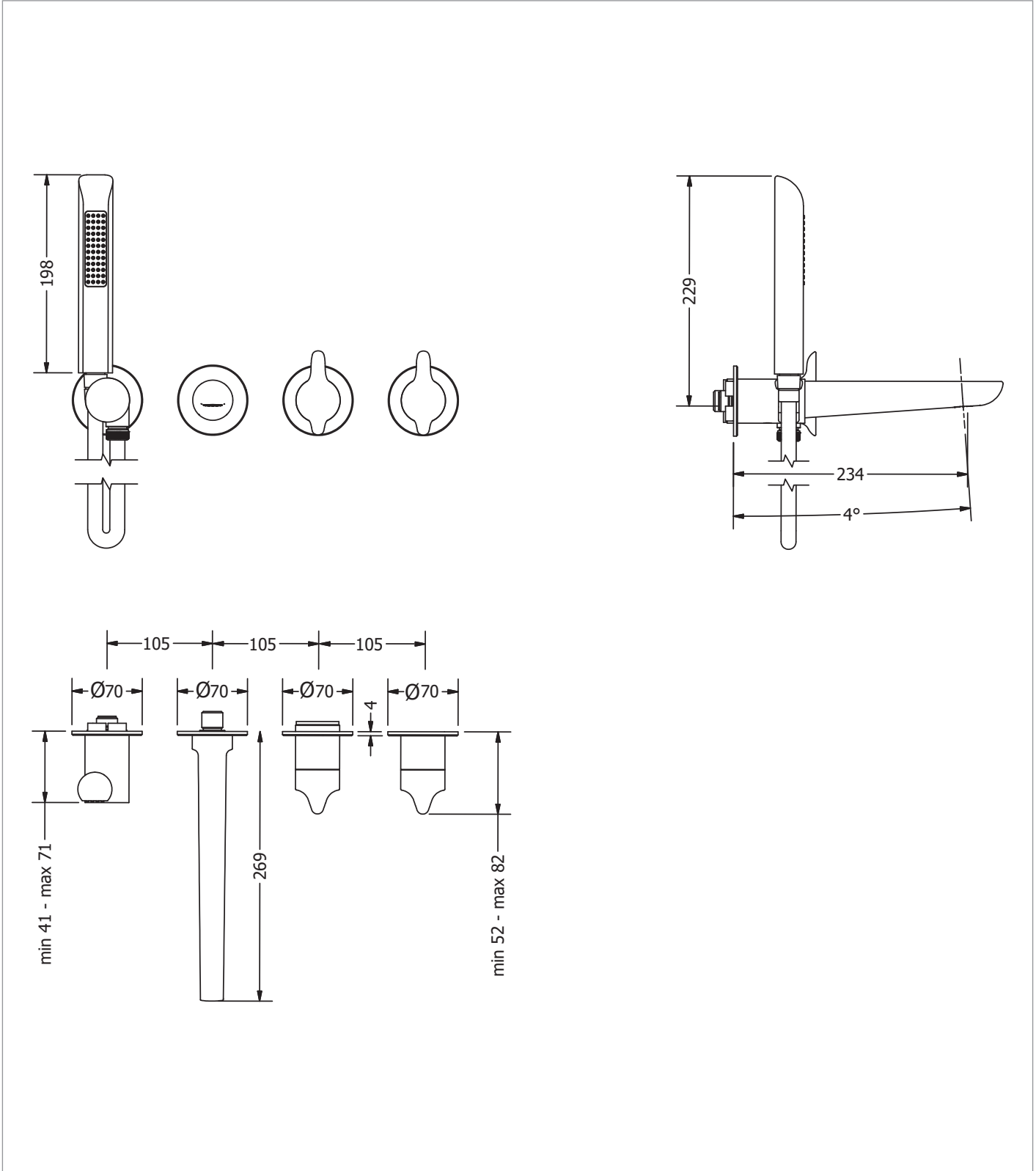
MINIMUM PRESSURE (BAR)	1
MAX WORKING PRESSURE (BAR)	5
NUMBER OF OUTLETS	2
HEADWORK	3/4" Quarter turn ceramic cartridge
SPOUT PROJECTION	230
INLET CONNECTIONS THREAD	G1/2"
FLOW REGULATOR	Cache M18.5x1
WASTE INCLUDED	No
ANTI-SCALD	No
ENERGY SAVING	No
SHOWER HOSE & HANDSET ARE INCLUDED	Yes

PRESSURE (BAR)	0.2	0.5	1	2	3	4	5
PRIMARY FLOWRATE			10	14	18	18	18
HANDSET FLOWRATE							
MASSAGE FLOW RATE							
AIR FLOW RATE							
WIRE FLOW RATE							
WATERFALL FLOW RATE							
MIST FLOW RATE							
HANDSPRAY FLOW RATE							

TECHNICAL DIMENSIONS

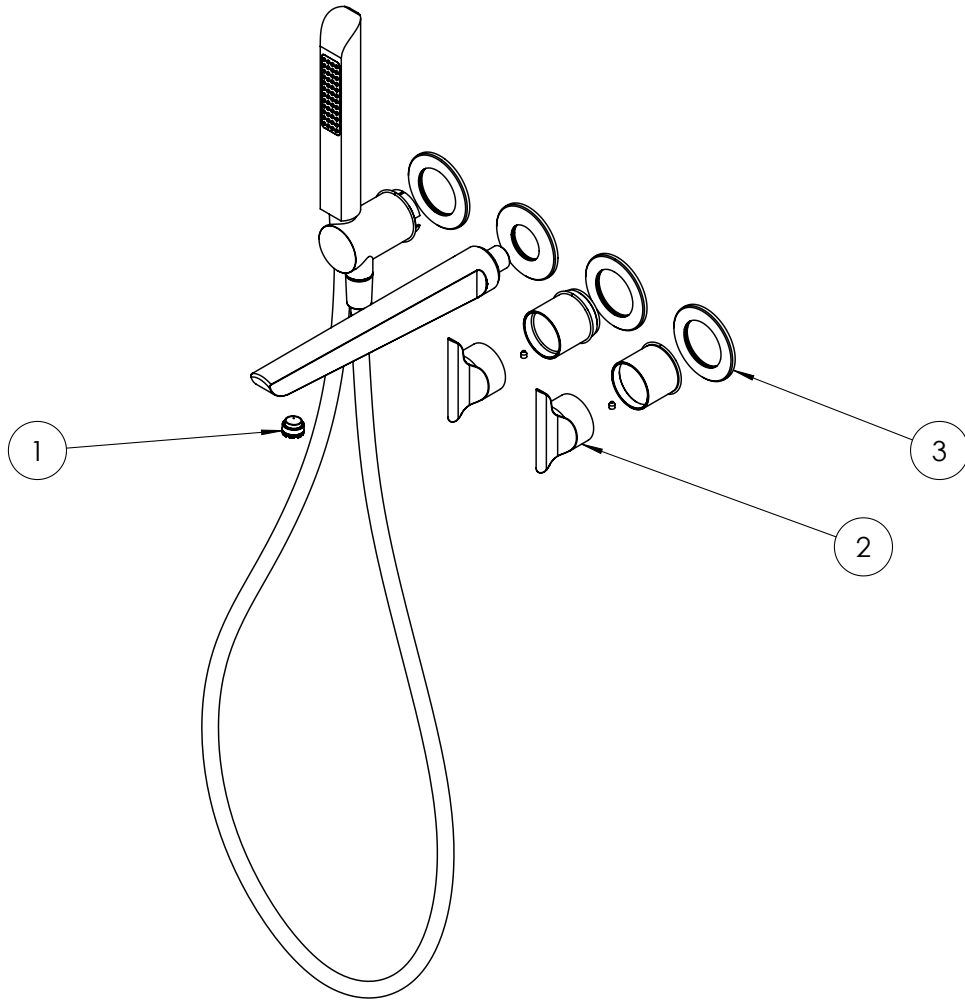
Dimensions in mm unless otherwise specified.

Tolerances (per material type) apply.



SPARES LIST

Only the parts labelled are available as spares.



NUMBER	PART CODE	DESCRIPTION
1	57FLSP004	FO0370 Aerator
2	57FLSP008C	Foile Module Handle Chrome
	57FLSP008F	Foile Module Handle Brushed Brass
	57FLSP008M	Foile Module Handle Matt Black
3	57FLSP014C	Foile Module Wall Plate Chrome
	57FLSP014F	Foile Module Wall Plate Brushed Brass
	57FLSP014M	Foile Module Wall Plate Matt Black