

PRODUCT DATA SHEET



PRODUCT CODE

RT003F

RANGE

Rotar

DESCRIPTION

Rotar Tumbler Holder Brushed Brass

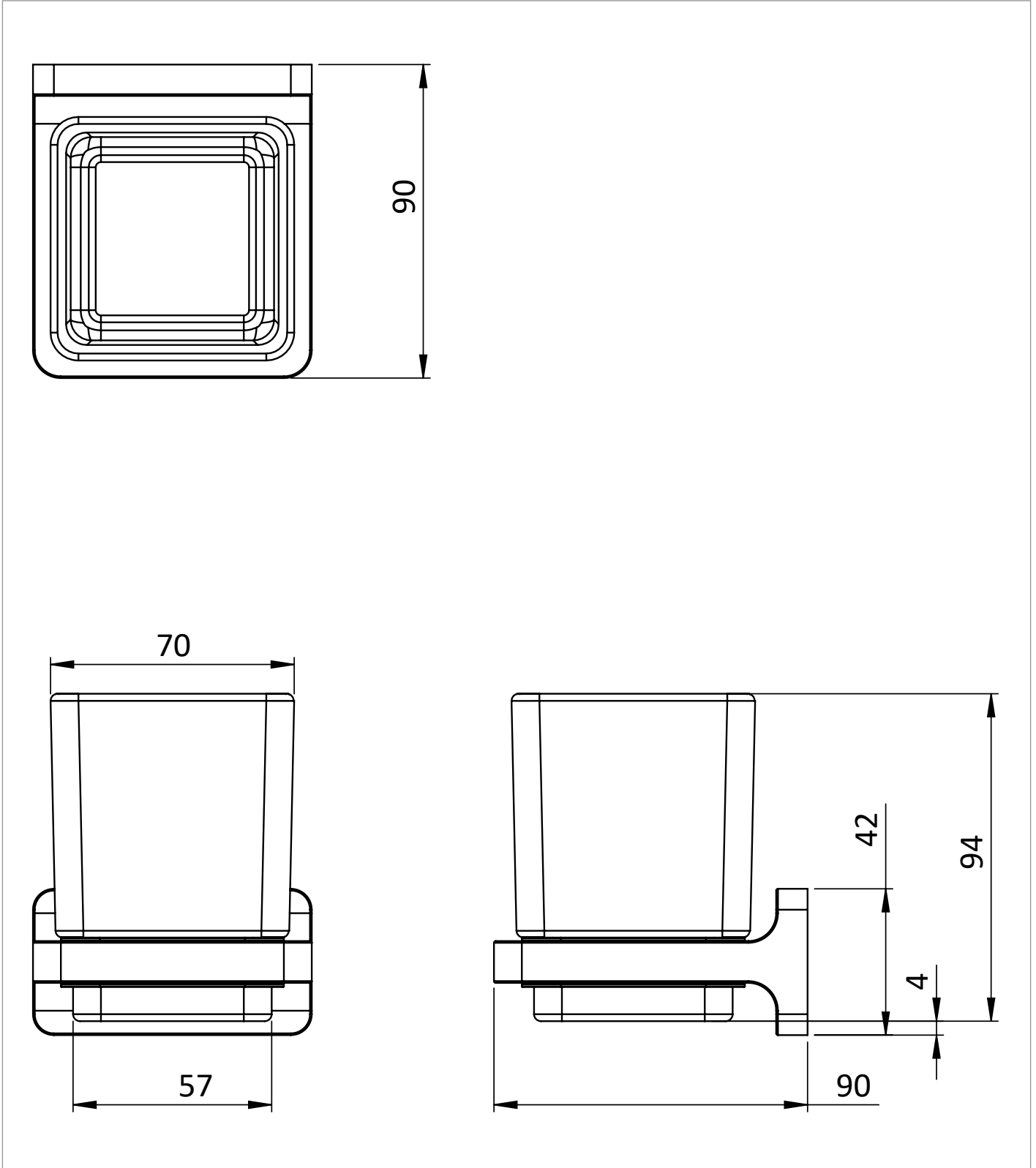
WEBSITE LINK [Click Here](#)

CATEGORY	Accessories
WARRANTY DETAILS	15 Years
COLOUR	Brushed Brass
FINISH APPLICATION	PVD
PRIMARY MATERIAL	Brass
SECONDARY MATERIAL	Glass
INSTALL TYPE	Wall Mounted
PRODUCT WIDTH MM	80
PRODUCT HEIGHT MM	98
PRODUCT DEPTH MM	90
PRODUCT NET WEIGHT KG	0.97

TECHNICAL DIMENSIONS

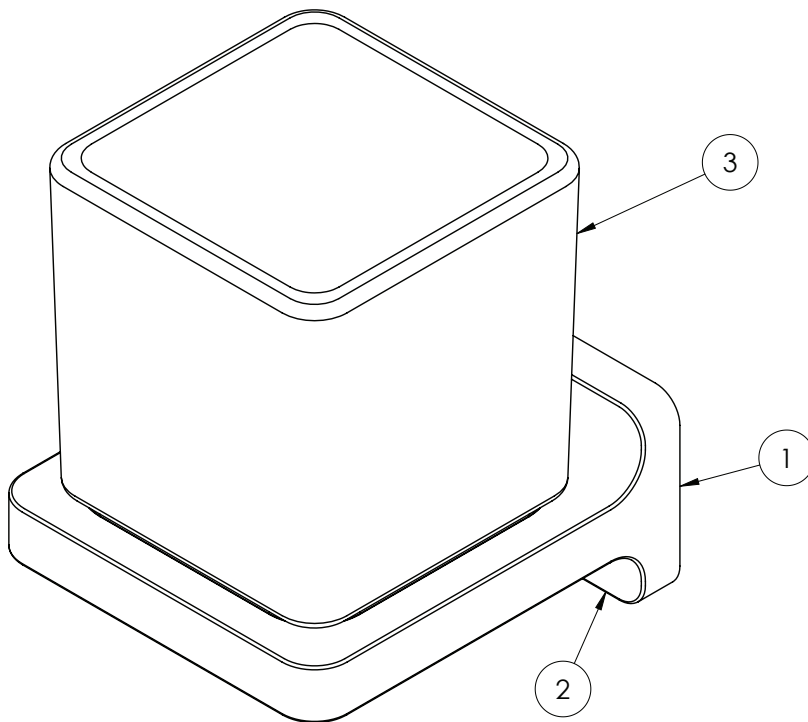
Dimensions in mm unless otherwise specified.

Tolerances (per material type) apply.



SPARES LIST

Only the parts labelled are available as spares.



NUMBER	PART CODE	DESCRIPTION
1	RT00003	Rotar Wall Mounting Plate for RT003/RT011
2	RT00004	Rotar Grub Screws for RT021/RT003/RT011/RT013/RT029/RT025/RT023/RT015
3	RT00005	Rotar Glass Tumbler for RT003/RT011