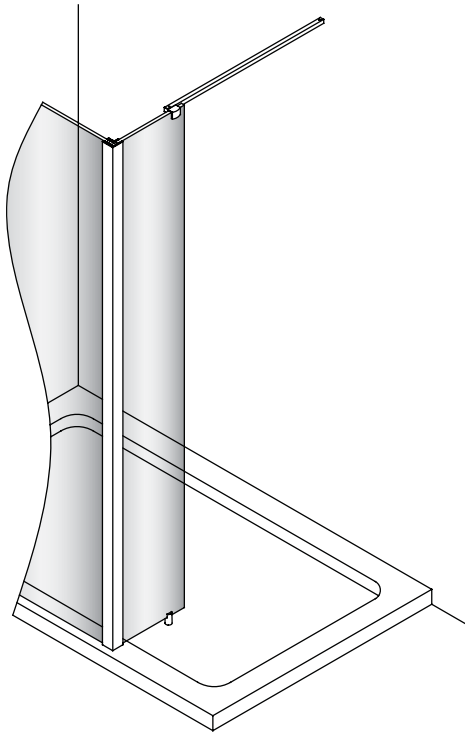
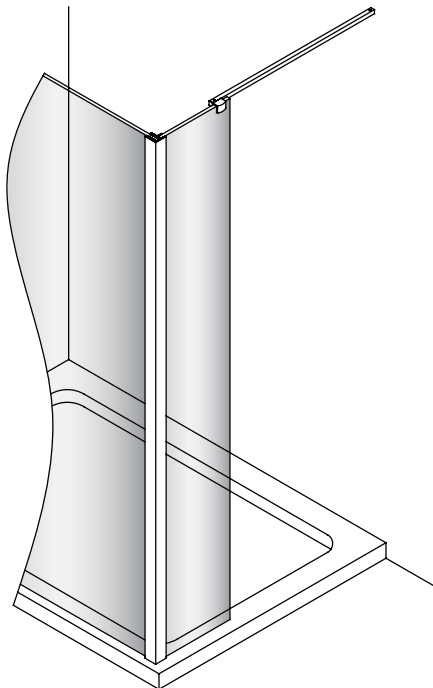
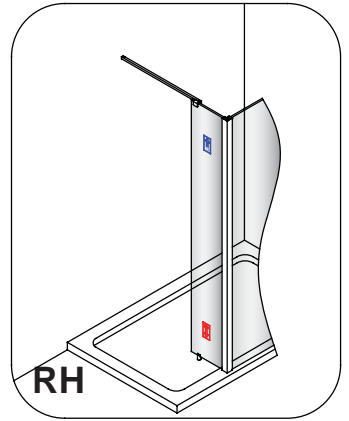
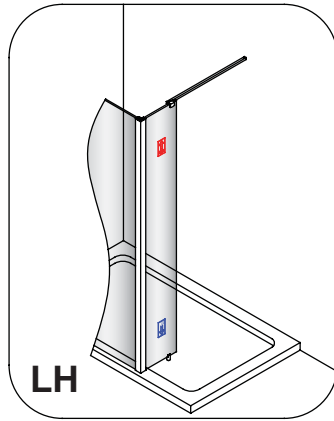


DEPSC0200  
DEPSC0300  
DEPSC0400  
DEPSC0500

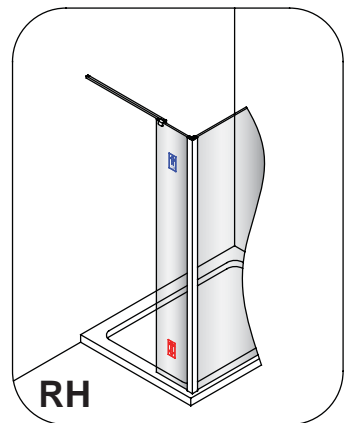
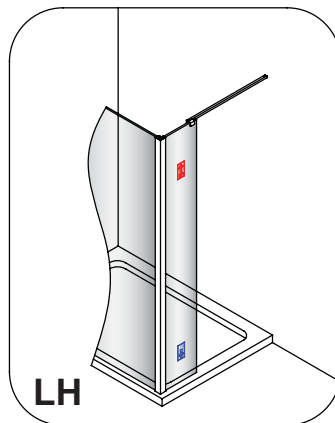
# DESIGN END PANEL



## SET A



## SET B



Note: Left entry, The “up” arrow on the glass should be in red, and be on the outside of the enclosure.  
Right entry, The “up” arrow on the glass should be in blue, and be on the outside of the enclosure.

# INSTALLATION INSTRUCTIONS



## IMPORTANT - Please read before installation

**Please read these instructions carefully before starting installation and keep in a safe place for future reference.**

Check the contents of the pack carefully before installation. Simpsons will not be held responsible for any de-fit / re-fit costs where faulty product has been fitted.

If any fault is found with materials or workmanship, it must be reported immediately to the manufacturer. Remedial action will be taken, based on information received, on condition that:

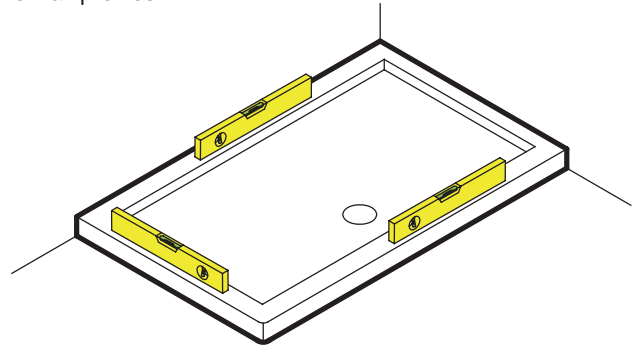
1. Full details are supplied to the manufacturer;
2. The enclosure has not been modified or tampered with;
3. The manufacturer is informed of any damage/shortages prior to installation.

We do not accept responsibility for any problems that may occur through incorrect installation.

The success of the installation and operation of any shower enclosure is, of course, dependant on the squareness, alignment and construction of the walls to which fixing is to be carried out.

### VERY IMPORTANT

You must complete all tiling and grouting, and the shower tray **MUST** be level and fully sealed to the tiles before installation. If you do not fit the enclosure onto a tiled surface, or seal the tiles to the tray before installation, water may soak into the wall behind the wall profiles.



## INSTALLATION - Advice and safety

The installation instructions are based on typical use and conditions.

The side panel is designed to mate with the hinge door to make a square enclosure, or to use alone as walk in.

These hints have been prepared for your guidance, you must exercise due care at all times.

For Health and Safety 2 people must carry out the installation of this enclosure.

Handle glass with care. Although the glass supplied is toughened safety glass (EN12150), impacts can damage both the glass and the frame.

### Warning!

Please check for any hidden pipes or cables before drilling holes in the wall.

When using power tools always follow the manufacturers user instructions.

If the Framework is sealed to the tray on the inside, any water that may get into the framework will not be able to drain back into the tray, this may cause the enclosure to leak.

Leave the silicone sealant to dry for 24 hours before using the enclosure.

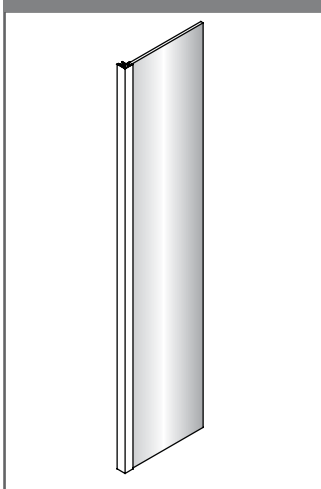
## CARE AND CLEANING

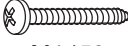

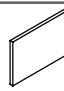
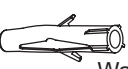



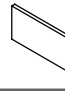

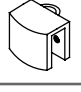



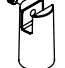
Do not use solvents or abrasive material or chemicals to clean the enclosure.

Only clean using soapy water and a soft cloth, rinse thoroughly afterwards.

## CONTENTS

### WALK IN END PANEL



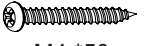


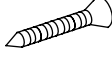
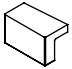
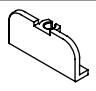
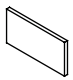

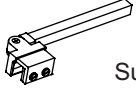

A	 M4 *50mm Screw x 1	F	 Support Bar RH x 1	K	 Mat 2 x 1
B	 Wall Plug x 1	G	 M5 *14mm Screw x 1	L	 Cap x 1
C	 Wall Connector x 1	H	 Mat 1 x 1	N	 Seal x 1
D	 Glass Clamp x 1	I	 ST3.5 *6mm Screw x 1	M	 Allen Key 4mm x 1
E	 Support Bar LH x 1	J	 Floor Clamp x 1		

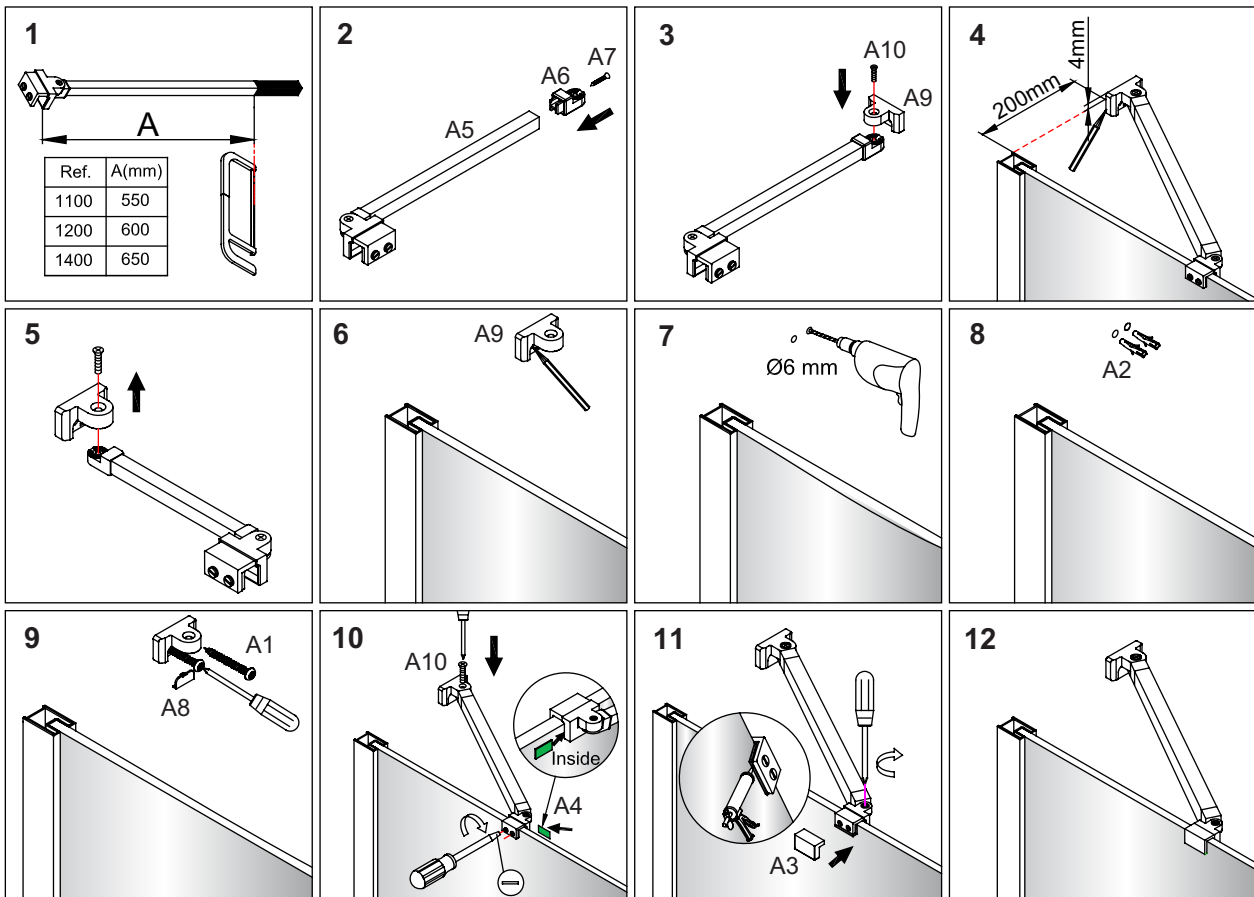
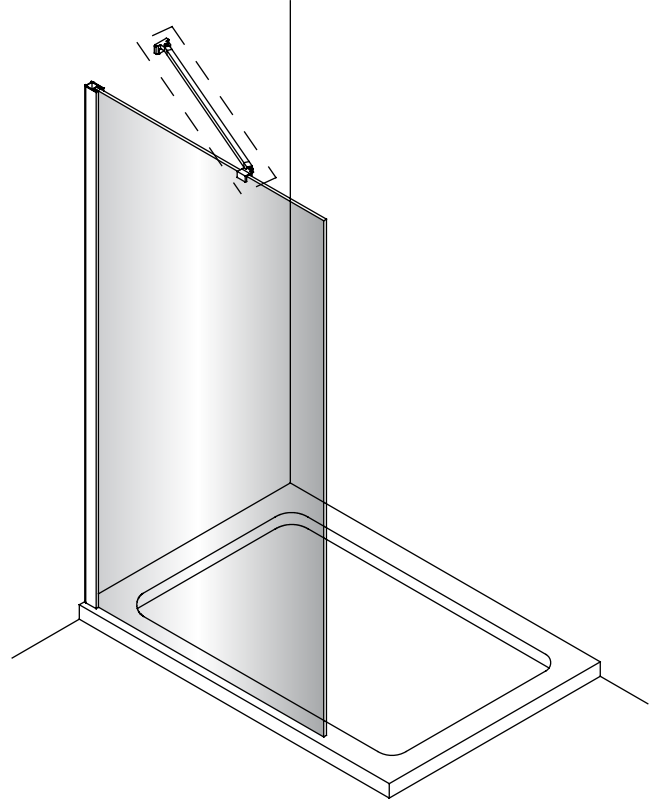
## Tools and equipment needed

Drill, 6mm Masonry drill bit, 3.2mm General drill bit, Philips screwdriver, Slotted screwdriver, Spirit level, Pencil, Tape measure, Silicone sealant, Wood Plate.

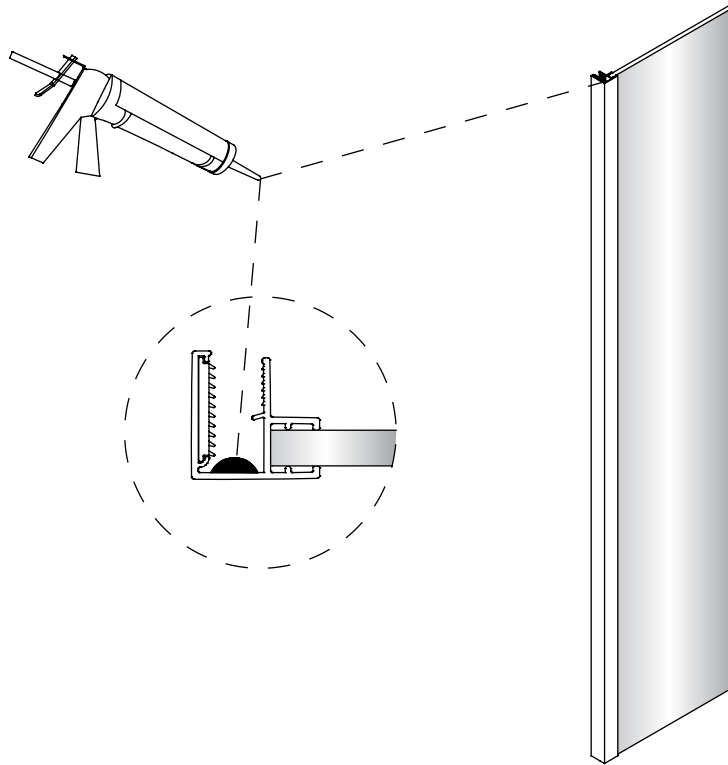
## CAUTION: FITTING THE BRACING BAR FOR PANELS 1100,1200 and 1400

Make sure the bracing bar for the larger panels are fitted as per below instructions before assembling with end panel.

A1	 M4 *50mm Screw x 2	A6	 Connector x 1
A2	 Wall Plug x 2	A7	 ST3.5 *25mm Screw x 1
A3	 Cover 1 x 1	A8	 Cover 2 x 1
A4	 Mat 1 x 1	A9	 Wall Connector x 1
A5	 Support Bar x 1	A10	 M4 *15mm Screw x 1



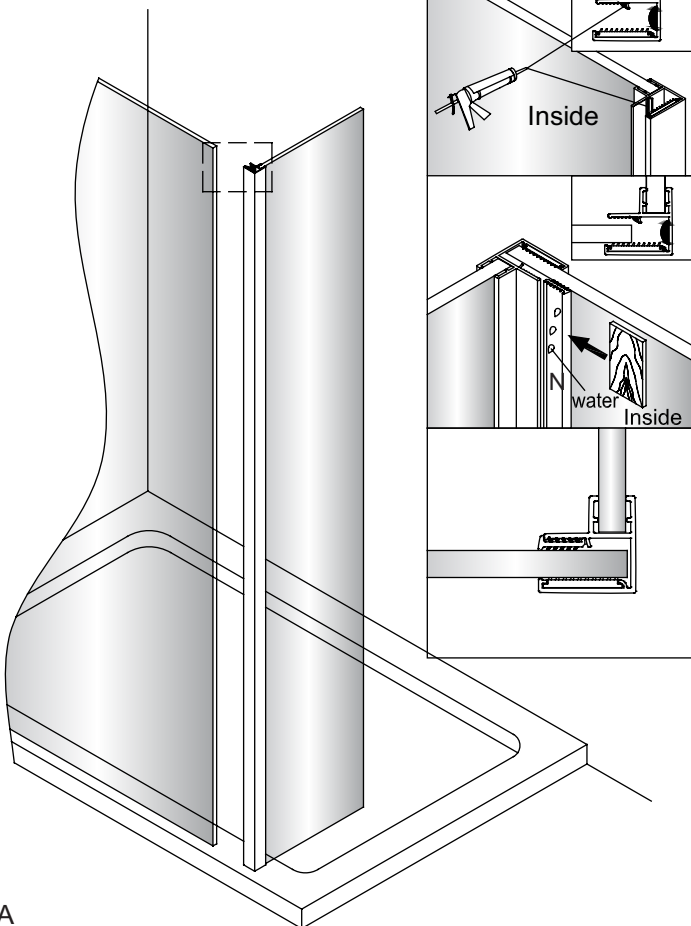
## Step 1



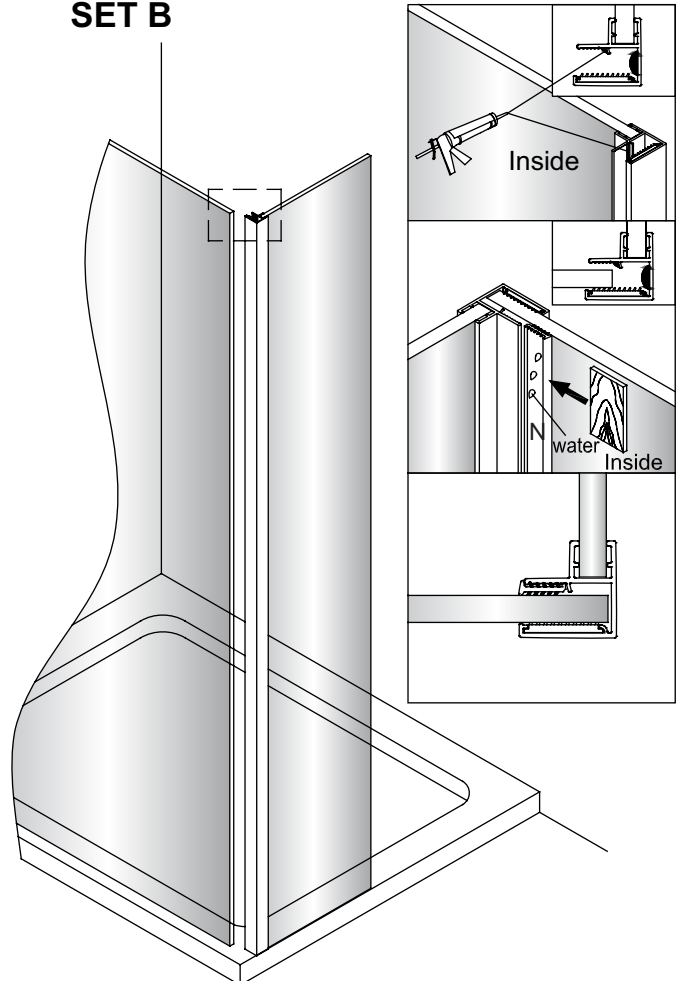
## Step 2

Push the panel into the panel frame.

### SET A

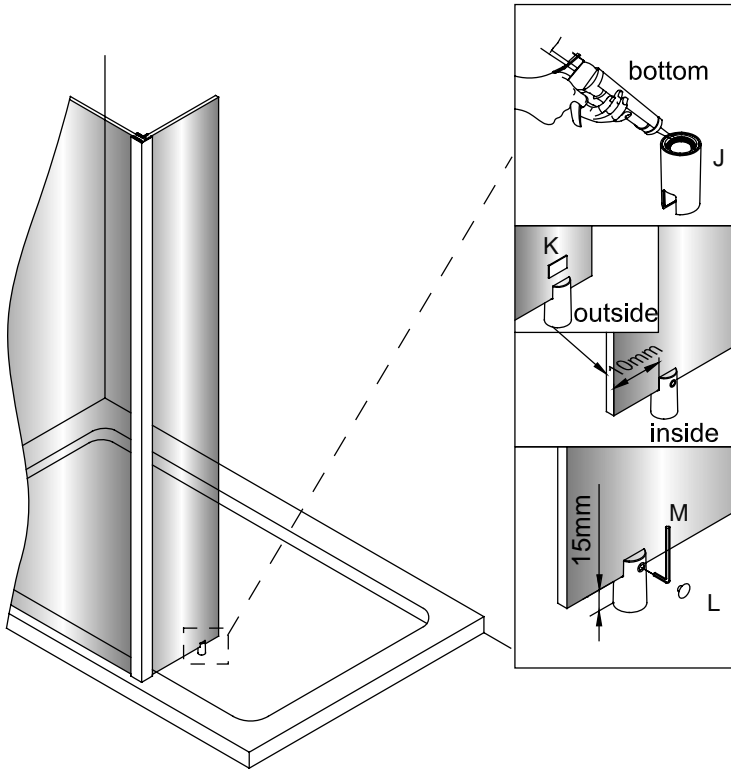


### SET B

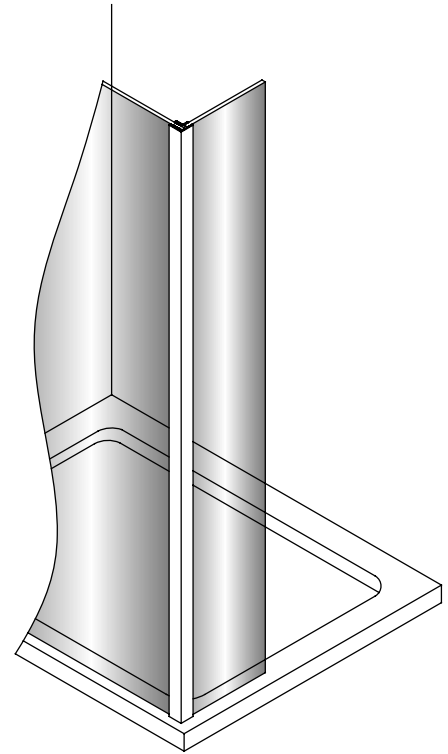


## Step 3

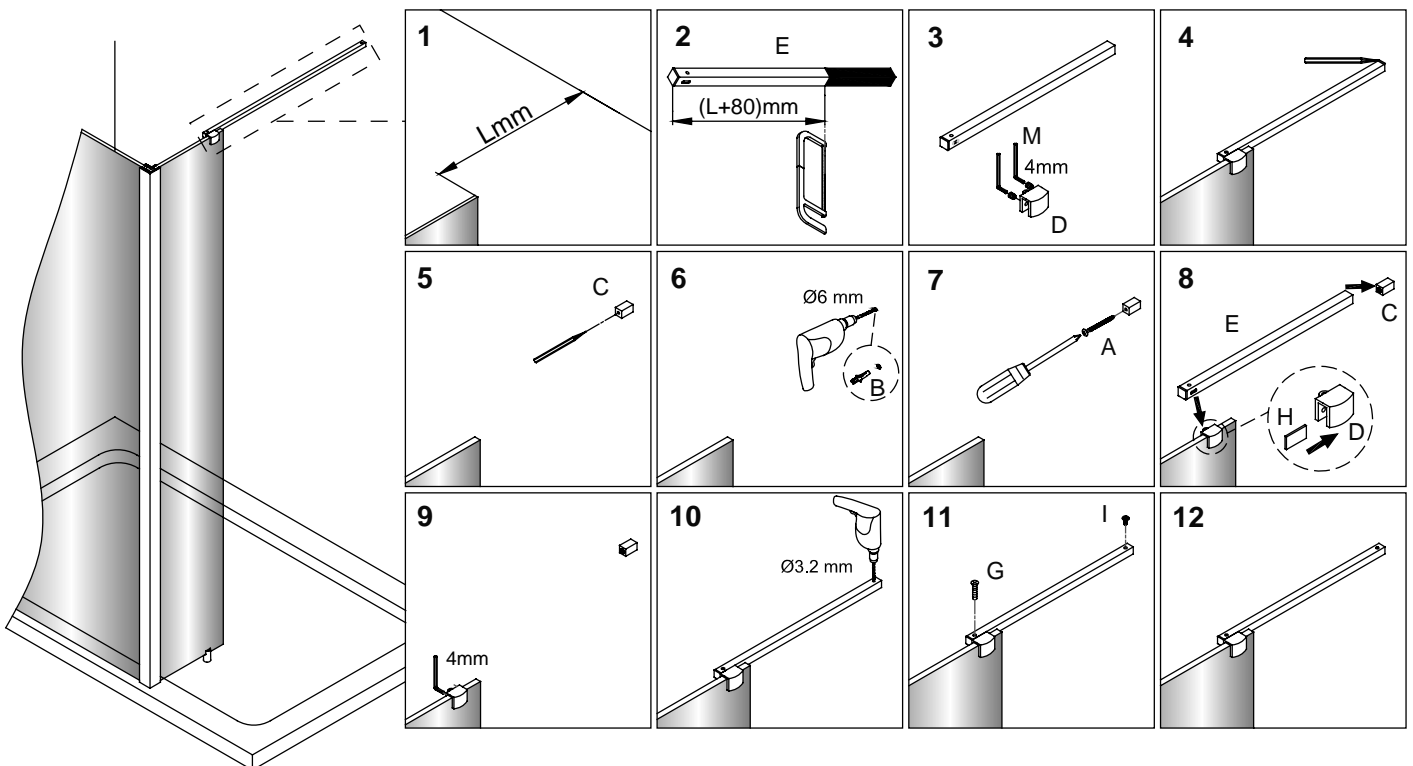
### SET A



### SET B

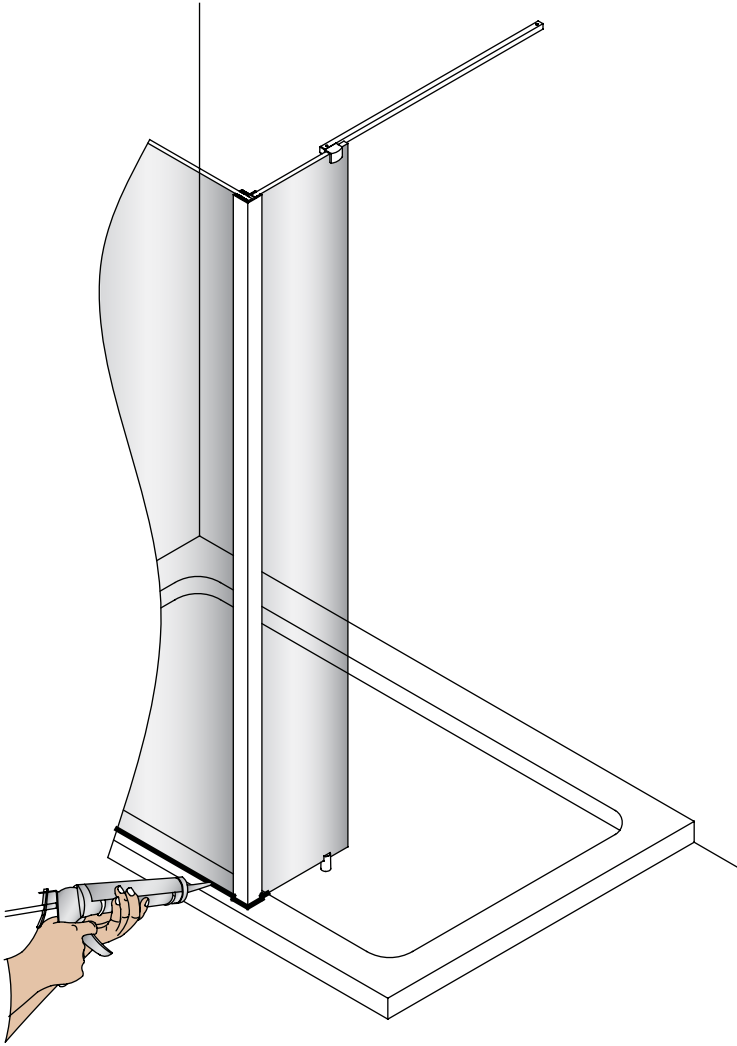


## Step 4

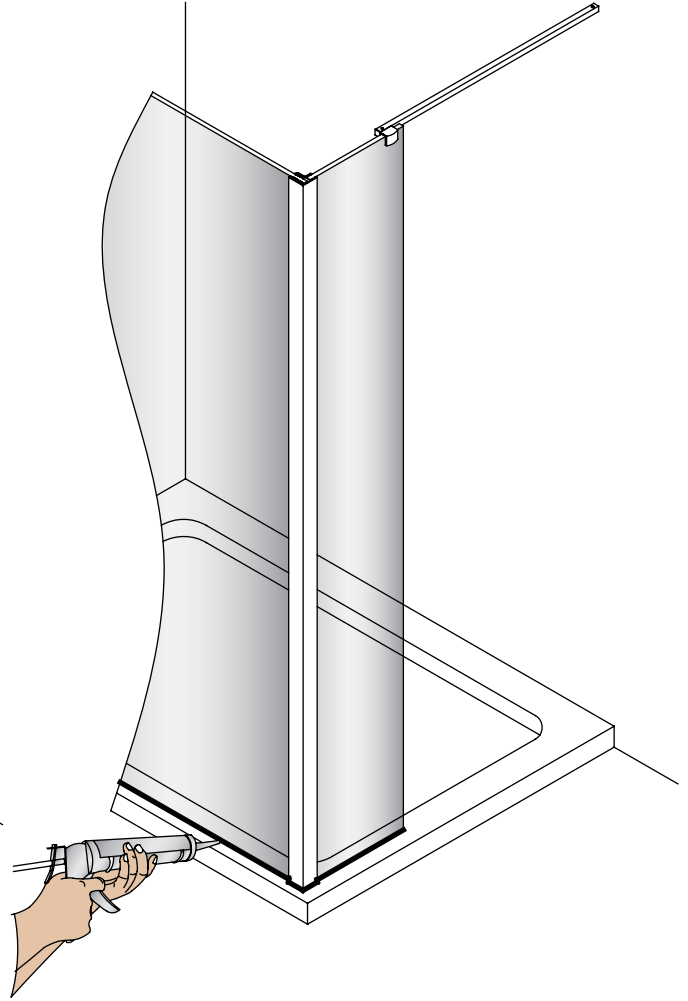


## Step 5

### SET A



### SET B



# simpsons<sup>x</sup>

For any further information please contact  
Simpsons on: **0845 873 5808**

Or visit our web-site at  
[www.simpsons-enclosures.co.uk](http://www.simpsons-enclosures.co.uk)

The manufacturer reserves the right to make  
technical modifications without prior notice.