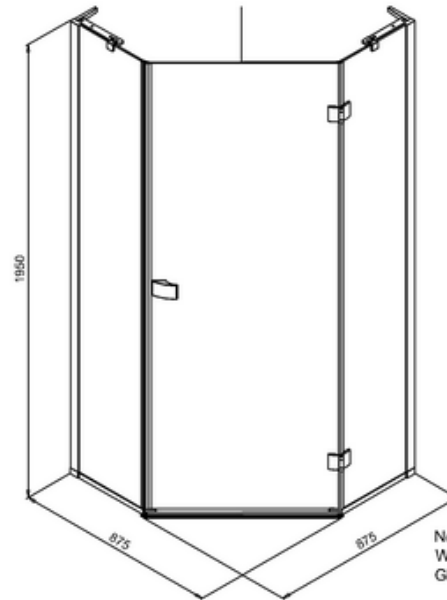
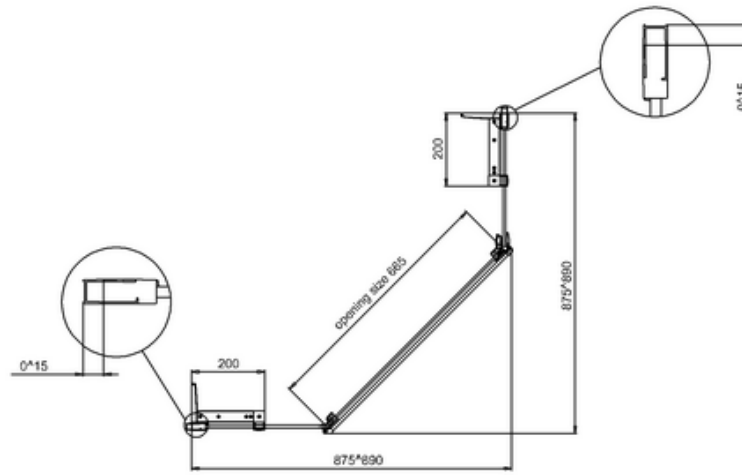


# DPTSC0900+ - Pentagon Enclosure 900mm



Note:  
Whole dimension tolerance is  $\pm 5$ .  
Glass dimension tolerance is  $\pm 2$ .