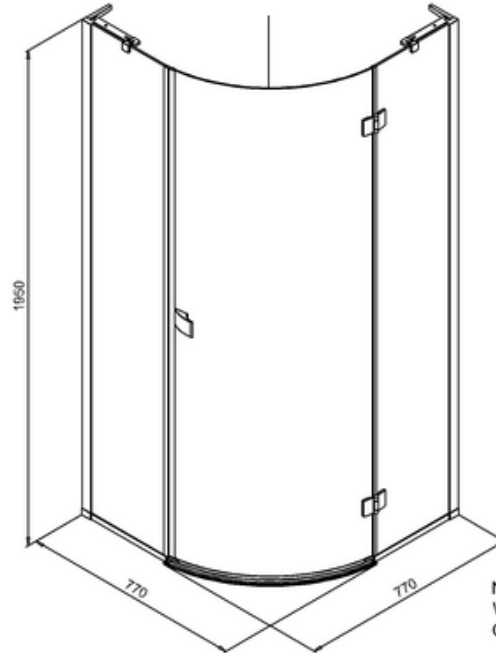
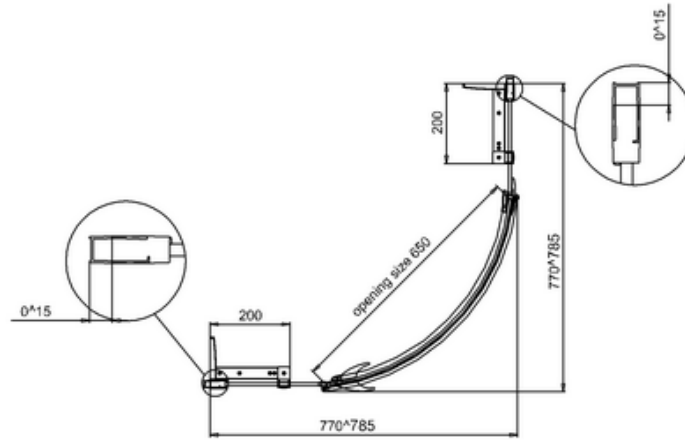


# DQSSC0800+ - Curved Quad with Single Door 800mm



Note:  
Whole dimension tolerance is  $\pm 5$ .  
Glass dimension tolerance is  $\pm 2$ .