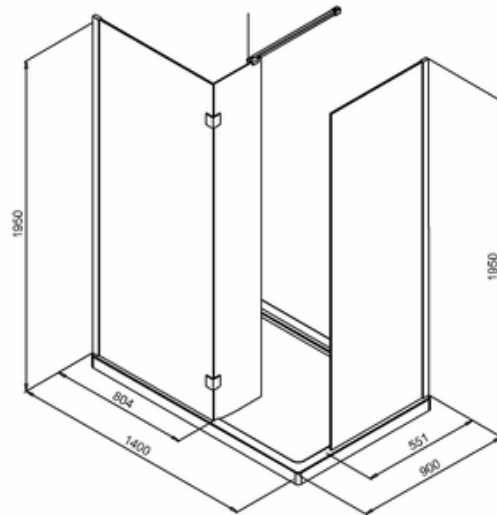
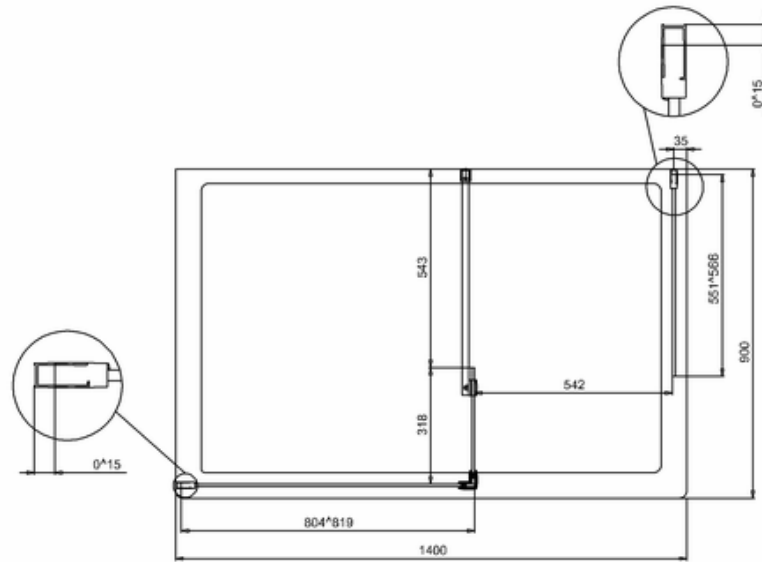


DWDSC1400+ - Design View Walk-in S/C 1400 Double



Note:
Whole dimension tolerance is ± 5 .
Glass dimension tolerance is ± 2 .