

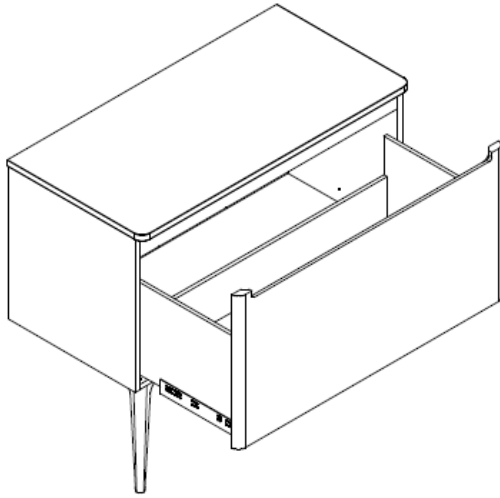
Measurements in millimetres mm

Information updated May 2021

Tel 0345 873 8840

crosswater[™]

ARTIST 1000mm FURNITURE



TECHNICAL DATA

CODE No UNIT ART1000DXX
Required Solid Oak worktop ART1010TOAK

Recommended use: Domestic, residential
Dimension Unit w 1000 x d 500 x h 500mm wall hung
w 1000 x d 500 x h 850mm no top
w 1000 x d 500 x h 870mm with top ART1010TOAK

Installation: Wall Hung or Floor standing with optional legs

Materials: Carcass and drawer 18mm MDF
Drawer front 25mm thick MDF

Specification: Full extension soft close drawers - 40kg weight capacity
4 way drawer adjustment
Anti-tip wall hangers 120Kg capacity

Weight: 36kg

Fitting: Wall hangers integrated into carcass
3 way adjustable wall brackets supplied

Required Fitting: Compatible to basin requirement

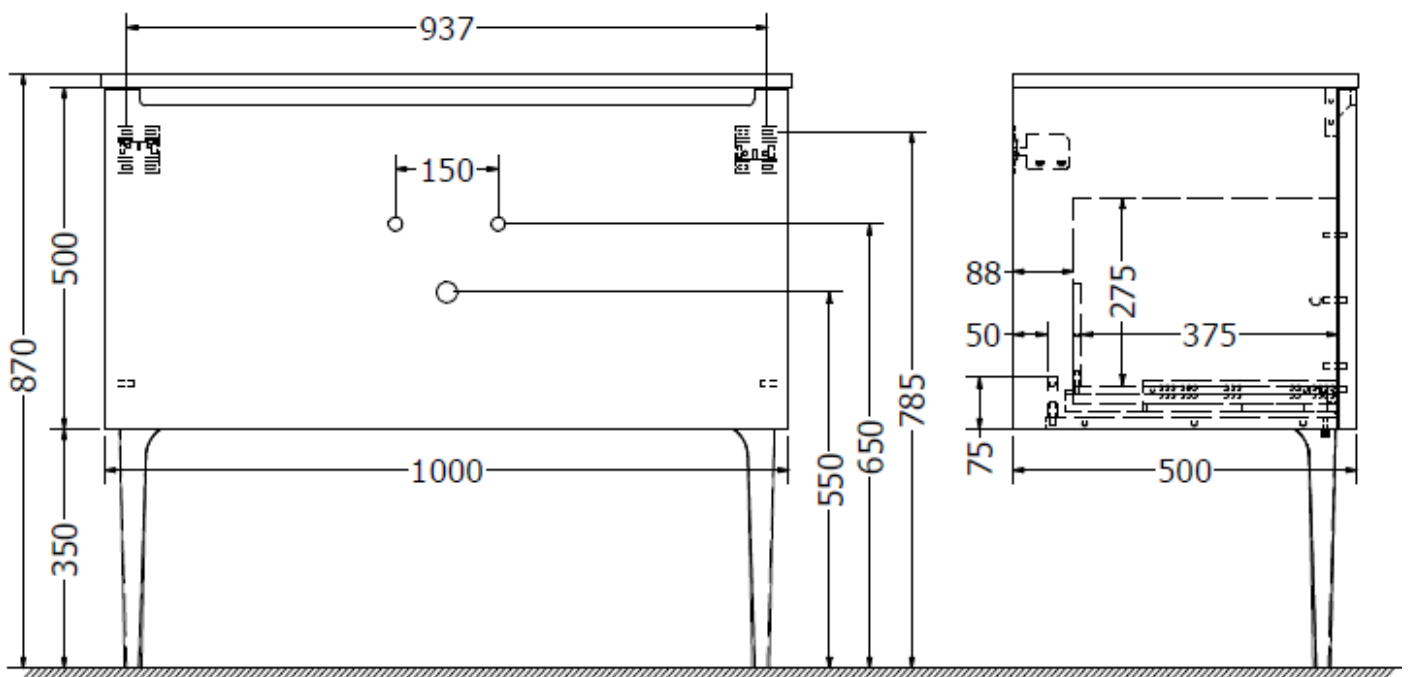
Advised Fitting: Space saving 50mm seal trap BTR0510W

Option Accessories: Floor standing legs and internal drawer organisers

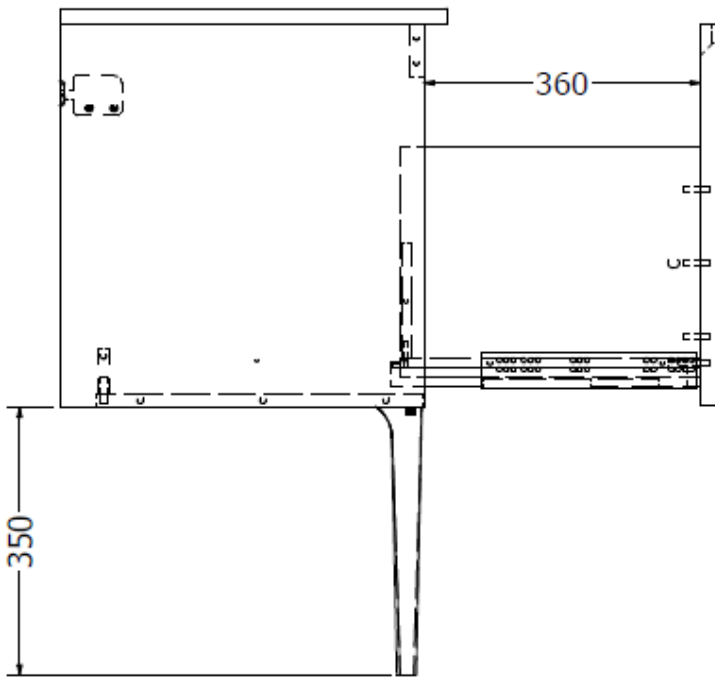
Warranty 10 years on furniture

SPECIFICATION

Additional Information: The intended installation wall needs to be strong enough for the weight of the furniture and basin. Wall fixings for solid walls included.
Laminate finishes/lacquer tested to ISO 22196
Measurement of antibacterial activity Graded Strong
value of anti-bacterial effect A>3 Work top is produced from FSC compliant solid oak. Optional floor standing feet produced from FSC compliant solid beechwood.



Drawer extension



Plan View

